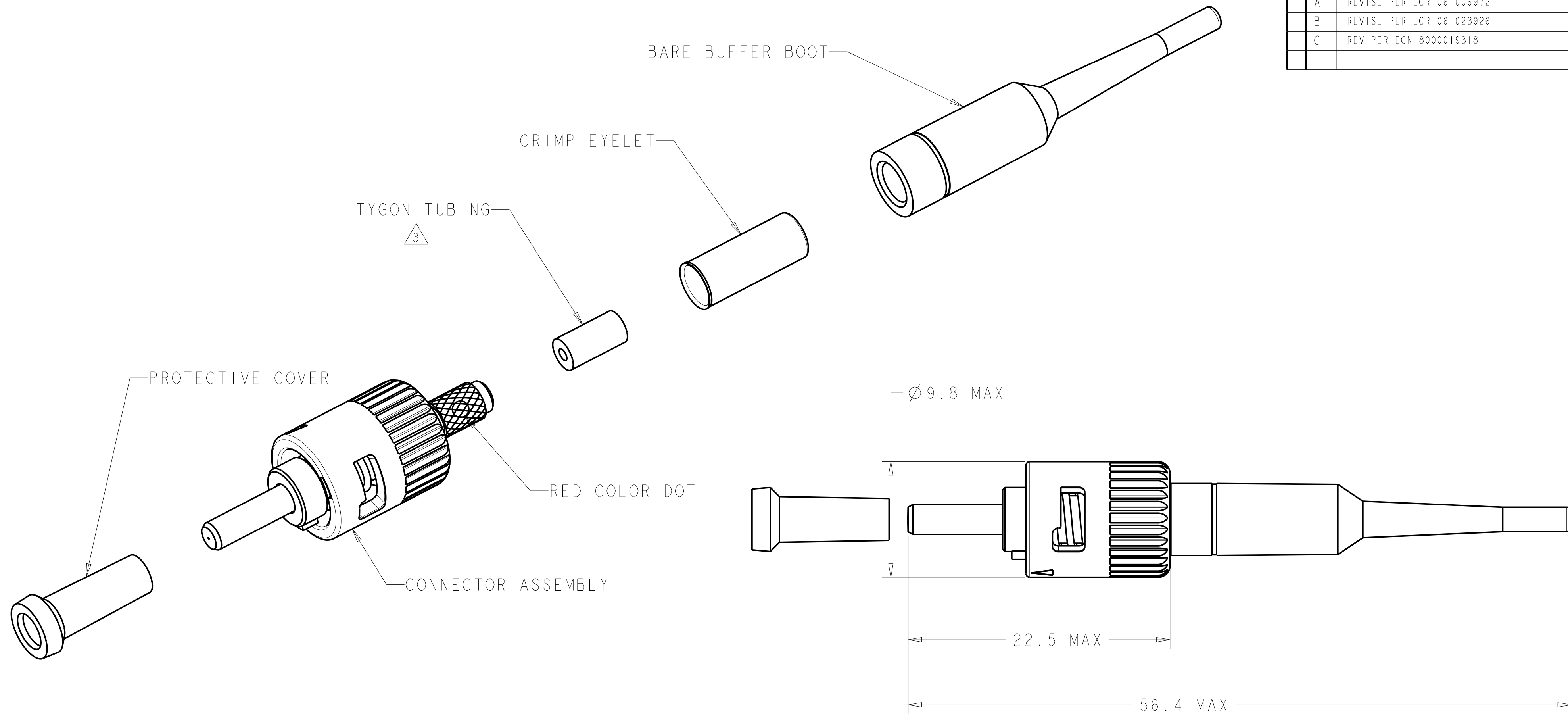


THIS DRAWING IS UNPUBLISHED. RELEASED FOR PUBLICATION
 © 2016 COMMScope, INC. CONFIDENTIAL NOTICE: THESE DRAWINGS AND SPECIFICATIONS ARE THE PROPRIETARY PROPERTY OF COMMScope, INC. AND MAY BE USED ONLY FOR THE SPECIFIC PURPOSE AUTHORIZED IN WRITING BY COMMScope, INC.

REVISIONS				
P	LTR	DESCRIPTION	DATE	APVD
A		REVISE PER ECR-06-006972	23MAR2006	BB SB
B		REVISE PER ECR-06-023926	12OCT2006	BB SB
C		REV PER ECN 8000019318	31JAN2017	GG TE



- △ MATERIAL:
 PROTECTIVE COVER: LDPE, COLOR: BLACK, NON-FR.
 CONNECTOR ASSEMBLY
 FERRULE ASSEMBLY: CERAMIC/NICKEL PLATED BRASS
 SPRING: STAINLESS STEEL
 COUPLING NUT: ZINC
 RETENTION RING: STAINLESS STEEL
 CRIMP EYELET: TIN PLATED COPPER
 BARE BUFFER BOOT: TPE, UL94 V-0 RATED AT QUALIFYING THICKNESS
 TYGON TUBING: TYGON, COLOR: CLEAR

△ BULK PACKAGE.

△ TYGON TUBING USED ONLY WITH 900um BUFFERED FIBER. (FIBER WITHOUT STRENGTH MEMBERS)

ASSEMBLED CONNECTOR

△ 2	-	-	5503613-4
△ 2	TYGON	YELLOW	5503613-3
	TYGON	YELLOW	5503613-2
	TUBING △ 3	BUFFER BOOT COLOR	PART NUMBER

THIS DRAWING IS A CONTROLLED DOCUMENT.		DWN B. BRIGGS 24 JUN 2005	COMMScope, INC.	
DIMENSIONS: mm		CHK S. BUCHTER 24 JUN 2005		
TOLERANCES UNLESS OTHERWISE SPECIFIED: 0 PLC ± 1 PLC ± 2 PLC ± 3 PLC ± 4 PLC ± ANGLES ± FINISH		APVD S. BUCHTER 24 JUN 2005	NAME CONNECTOR KIT, 2.5mm BAYONET, SINGLEMODE, OPTIMATE	
MATERIAL △ 1		PRODUCT SPEC -	SIZE A2	CAGE CODE C-5503613
		APPLICATION SPEC -	DRAWING NO -	RESTRICTED TO -
		WEIGHT -	SCALE 4:1	SHEET 1 OF 1
		CUSTOMER DRAWING		REV C

X-ON Electronics

Largest Supplier of Electrical and Electronic Components

Click to view similar products for [Fibre Optic Connectors](#) category:

Click to view products by [TE Connectivity](#) manufacturer:

Other Similar products are found below :

[0004700001](#) [6100-R](#) [6313](#) [F709034706](#) [F709722200](#) [F709730000](#) [F718183204](#) [F727403500](#) [F727752800](#) [8119](#) [9440F20-27S-190](#) [944-120-6001](#) [9441F10SL-3S](#) [9444W28-21S](#) [9444W36-10S](#) [9446F10SL-4S](#) [9446W20-16S](#) [953-101-5310-P](#) [954-101-57202B](#) [A0270169](#) [12-9122](#) [12-5702](#) [AX101713](#) [AX102420](#) [AX103923](#) [AX104024](#) [AX104193](#) [AX104230](#) [AX104562](#) [AX105203-B25](#) [AX105205-S1](#) [EHSC2M](#) [181-011-126](#) [181-011-S](#) [181-057-126](#) [HRFC-R2\(40\)](#) [NKSOPBUY](#) [20500002116](#) [2064996-1](#) [20800001065](#) [2170](#) [9132](#) [2612](#) [2620](#) [9291](#) [9440F16-10S](#) [9440F20-18S](#) [9442W14S-10P](#) [9446F16-10S-190](#) [953-106-50231](#)