

THIS DRAWING IS UNPUBLISHED. RELEASED FOR PUBLICATION 20  
 © 2016 COMMSCOPE, INC. CONFIDENTIAL NOTICE: THESE DRAWINGS AND SPECIFICATIONS ARE THE PROPRIETARY PROPERTY OF COMMSCOPE, INC. AND MAY BE USED ONLY FOR THE SPECIFIC PURPOSE AUTHORIZED IN WRITING BY COMMSCOPE, INC.

REVISIONS				
P	LTR	DESCRIPTION	DATE	APVD
C		REV; 40032941MCO	22AUG2016	GG TE

1 MATERIAL:

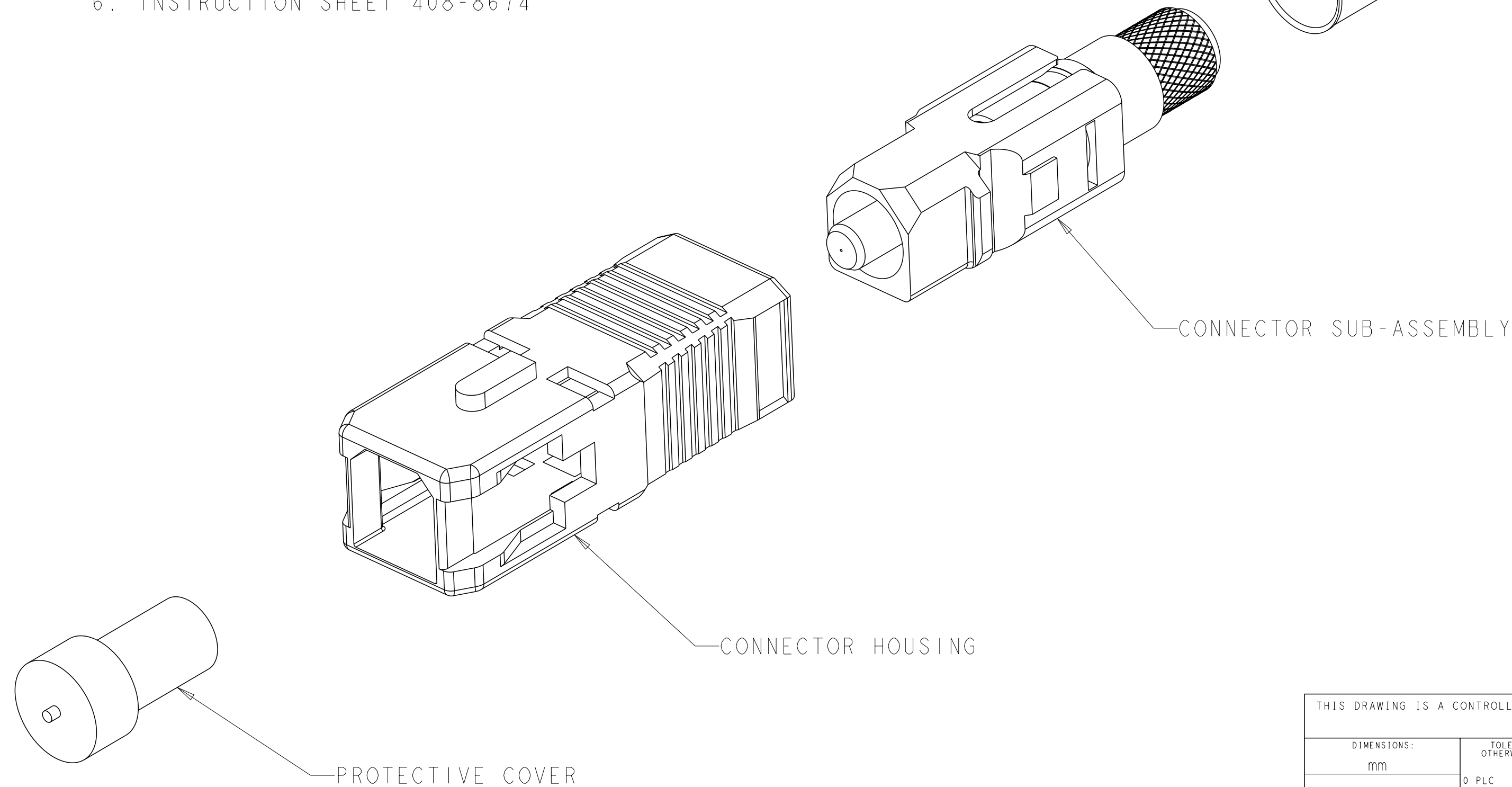
CONNECTOR HOUSING: PBT-GF17, COLOR: BEIGE.\*  
 CONNECTOR SUBASSEMBLY:  
 PLUG BODY: PES-GF20, COLOR: BEIGE.\*  
 SPRING: STAINLESS STEEL  
 FERRULE ASSEMBLY: CERAMIC/PBT-GF17, COLOR: BEIGE.\*  
 EPOXY-FILL TUBING: PVC, COLOR: CLEAR, UL VW-1 RATED.  
 RETAINER BODY: PES-GF20, COLOR: BEIGE.\*  
 CRIMP EYELET: TIN PLATED COPPER  
 BOOT: TPE, COLOR: SEE TABLE.\*  
 PROTECTIVE COVER: LDPE, COLOR: BLACK, NON-FR.  
 \*UL94 V-0 RATED AT QUALIFYING THICKNESS.

2 BULK PACKAGE.

3. 3.0mm KIT FOR USE WITH "LOOSE-JACKETED" CABLE.

5 CONTAINS NO EYELET.

6. INSTRUCTION SHEET 408-8674



3.0mm & 900um, BLACK	1-5503948-3
900um, BLACK	1-5503948-2
3.0mm & 900um, AQUA	1-5503948-1
3.0mm, AQUA	1-5503948-0
3.0mm, RED	5503948-9
3.0mm, BLACK	5503948-8
NONE	5503948-7
NONE	5503948-6
3.0mm & 900um, BEIGE	5503948-5
NONE	5503948-3
3.0mm, BEIGE	5503948-2
3.0mm, BEIGE	5503948-1
BOOT	PART NUMBER

THIS DRAWING IS A CONTROLLED DOCUMENT.

DWN B. BRIGGS 07NOV2005	<b>COMMSCOPE, INC.</b> SC, MULTIMODE CONNECTOR KIT, 900um AND 3.0mm
CHK S. MILLER 07NOV2005	
APVD S. BUCHTER 07NOV2005	
PRODUCT SPEC	
APPLICATION SPEC	SIZE CAGE CODE DRAWING NO RESTRICTED TO
WEIGHT	Acage-co G-5503948
CUSTOMER DRAWING	SCALE 5:1 SHEET 1 OF 1 REV C

## X-ON Electronics

Largest Supplier of Electrical and Electronic Components

*Click to view similar products for [Fibre Optic Connectors](#) category:*

*Click to view products by [TE Connectivity](#) manufacturer:*

Other Similar products are found below :

[0004700001](#) [6100-R](#) [6313](#) [F709034706](#) [F709722200](#) [F709730000](#) [F718183204](#) [F727403500](#) [F727752800](#) [8119](#) [9440F20-27S-190](#) [944-120-6001](#) [9441F10SL-3S](#) [9444W28-21S](#) [9444W36-10S](#) [9446F10SL-4S](#) [9446W20-16S](#) [953-101-5310-P](#) [954-101-57202B](#) [A0270169](#) [12-9122](#) [12-5702](#) [AX101713](#) [AX102420](#) [AX103923](#) [AX104024](#) [AX104193](#) [AX104230](#) [AX104498](#) [AX104562](#) [AX105203-B25](#) [AX105205-S1](#) [EHSC2M](#) [181-011-126](#) [181-011-S](#) [181-057-126](#) [HRFC-R2\(40\)](#) [NKSOPBUY](#) [20500002116](#) [2064996-1](#) [20800001065](#) [2170](#) [9132](#) [2612](#) [2620](#) [9291](#) [9440F16-10S](#) [9440F20-18S](#) [9442W14S-10P](#) [9446F16-10S-190](#)