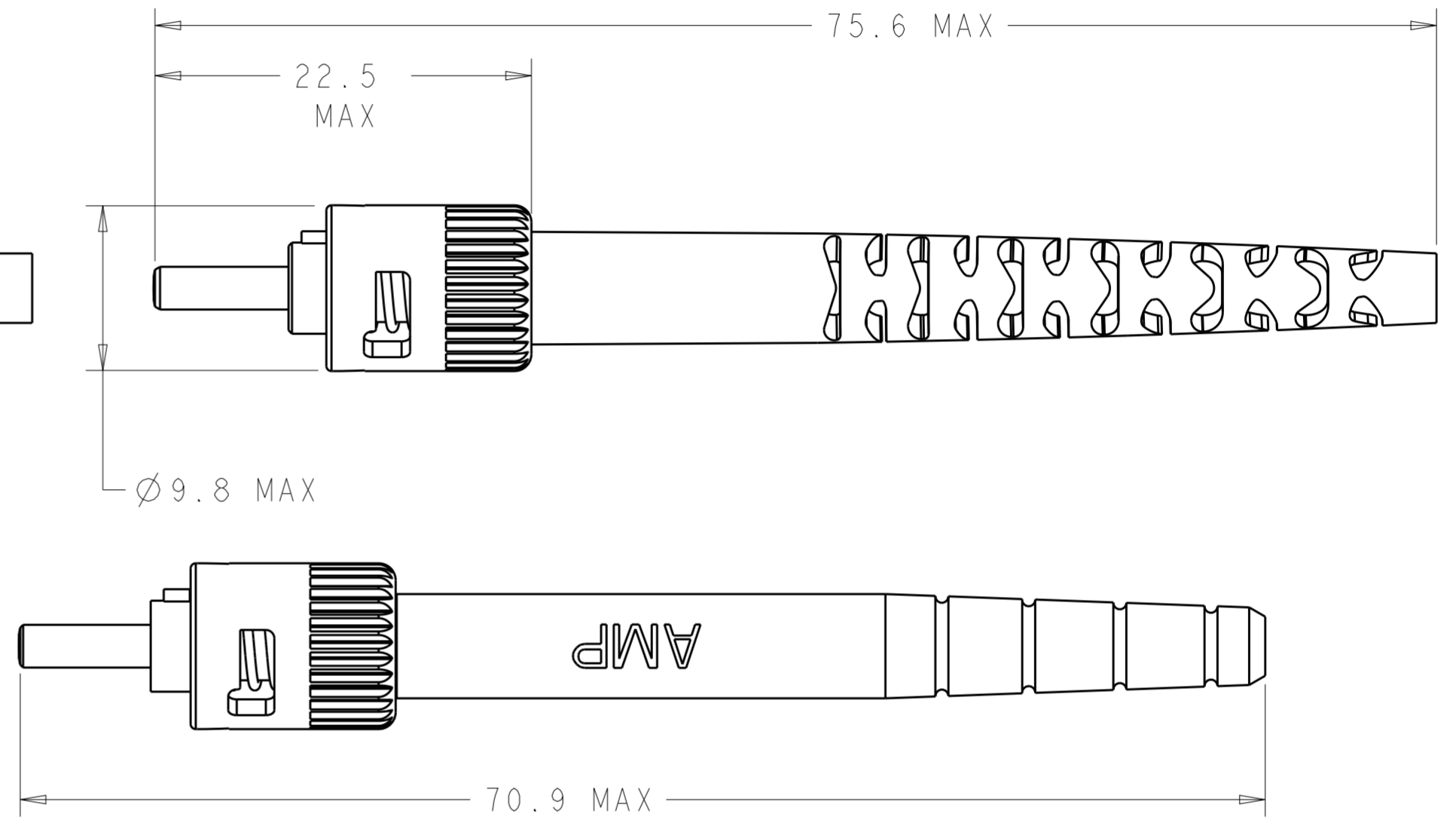
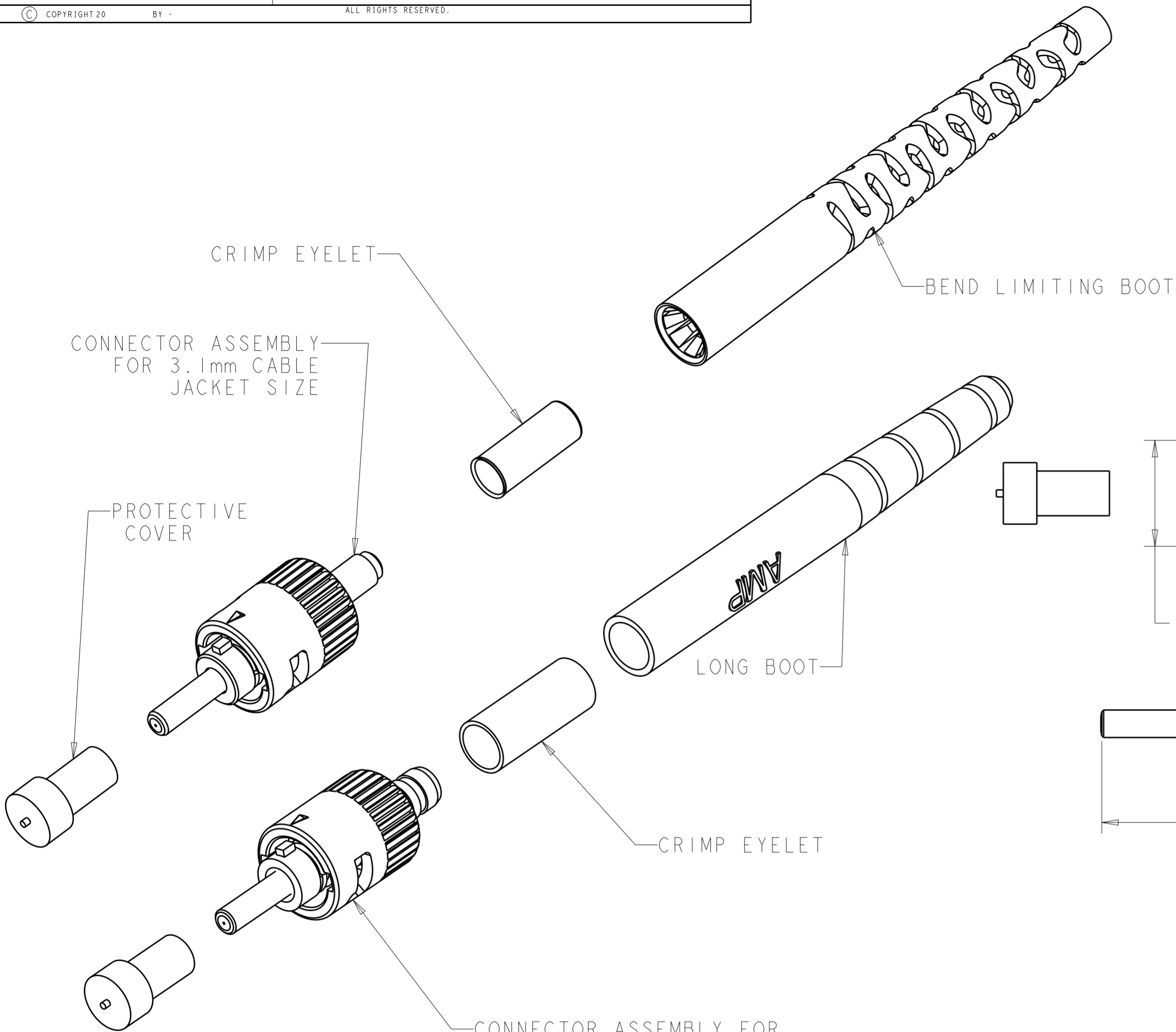


THIS DRAWING IS UNPUBLISHED. RELEASED FOR PUBLICATION 20
 © COPYRIGHT 20 BY - ALL RIGHTS RESERVED.

LOC	DIST	REVISIONS					
CE	00	P	LTR	DESCRIPTION	DATE	DWN	APVD
		B	I	REVISED PER ECO-11-005027	15MAR2011	RK	HMR
		D		ECR-18-006929	18JUN2018	PHM	DW



CONNECTOR ASSEMBLY FOR 4.3mm CABLE JACKET SIZE (5504008-4 ONLY)

	⚠	NONE	125um	5-5504008-4
OBSOLETE		BEND LIMITING	280um	4-5504008-6
OBSOLETE		BEND LIMITING	125um	1-5504008-7
		BEND LIMITING	231um	1.5504008-4
		BEND LIMITING	240um	1-5504008-3
OBSOLETE		BEND LIMITING	140um	5504008-7
		LONG	125um	5504008-4
		BEND LIMITING	125um	5504008-3
		BOOT	HOLE SIZE	PART NUMBER

- ⚠ BULK PACKAGE.
- ⚠ MATERIAL:
 - PROTECTIVE COVER: LDPE, COLOR: BLACK, NON-FR.
 - CONNECTOR ASSY
 - FERRULE ASSY: STAINLESS STEEL/NICKEL PLATED BRASS.
 - SPRING: STAINLESS STEEL.
 - COUPLING NUT: ZINC.
 - RETENTION RING: STAINLESS STEEL.
 - 3.1mm CRIMP EYELET: TIN PLATED COPPER.
 - LONG AND BEND LIMITING BOOTS: TPE, COLOR: BLACK, UL94 V-0 RATED AT AT QUALIFYING THICKNESS.
 - 4.3mm CRIMP EYELET: NICKEL PLATED BRASS

THIS DRAWING IS A CONTROLLED DOCUMENT.

DIMENSIONS: mm	TOLERANCES UNLESS OTHERWISE SPECIFIED:	DWN B. BRIGGS 29 JUN 2005	 TE Connectivity
		CHK S. BUCHTER 29 JUN 2005	
		APVD S. BUCHTER 29 JUN 2005	
		NAME	
MATERIAL		PRODUCT SPEC	CONNECTOR KIT, SST, 2.5mm BAYONET
		APPLICATION SPEC	SIZE CAGE CODE DRAWING NO RESTRICTED TO
		WEIGHT	A200779 C-5504008
		CUSTOMER DRAWING	SCALE 3:1 SHEET 1 OF 1 REV D

X-ON Electronics

Largest Supplier of Electrical and Electronic Components

Click to view similar products for [Fiber Optic Connectors](#) category:

Click to view products by [TE Connectivity](#) manufacturer:

Other Similar products are found below :

[0004700001](#) [6100-R](#) [6313](#) [F709034706](#) [F709722200](#) [F718183204](#) [F727403500](#) [F727752800](#) [FCXO-12-3BY](#) [FO-SCREW\(M2X6\)](#) [9440F20-27S-190](#) [944-120-6001](#) [944-125-6003](#) [9441F10SL-3P](#) [9441F10SL-3S](#) [9446F10SL-4S](#) [9446F12S-3S](#) [953-101-5310-P](#) [954-101-57202B](#)
[A0270169](#) [12-9122](#) [12-5702](#) [143025NC](#) [AX101713](#) [AX102420](#) [AX103923](#) [AX104141](#) [AX104193](#) [AX104228](#) [AX104230](#) [AX104562](#)
[AX105203-B25](#) [AX105205-S1](#) [EHSC2M](#) [17-300800](#) [181-011-126](#) [BT34IW](#) [HRFCP-HSCJ-1\(61\)](#) [HRFC-R2\(40\)](#) [NKSOPBUY](#) [20500002116](#)
[2064996-1](#) [20800001065](#) [2170](#) [9132](#) [2612](#) [2620](#) [9291](#) [9440F18-19S](#) [9440F20-14P](#)