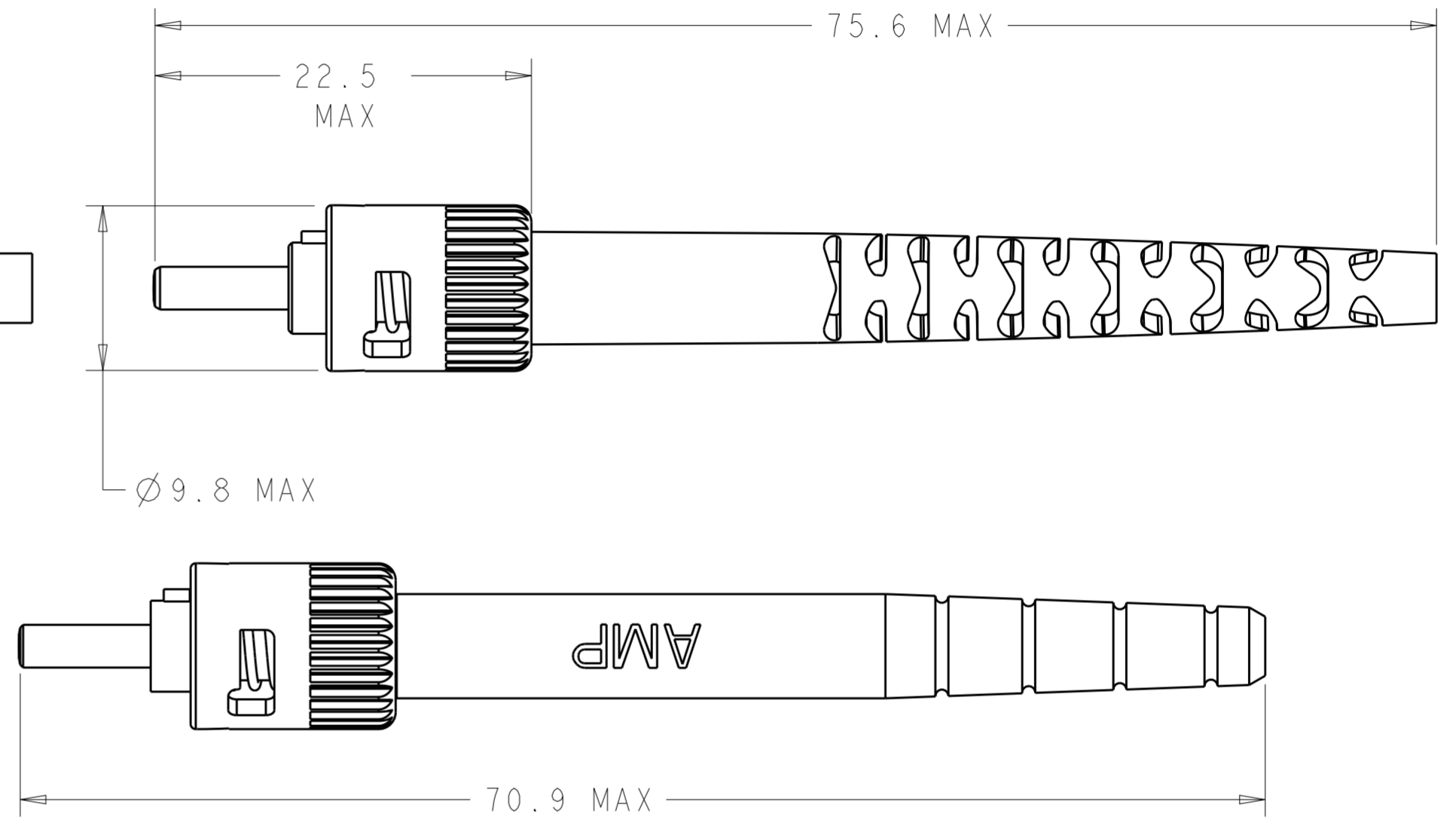
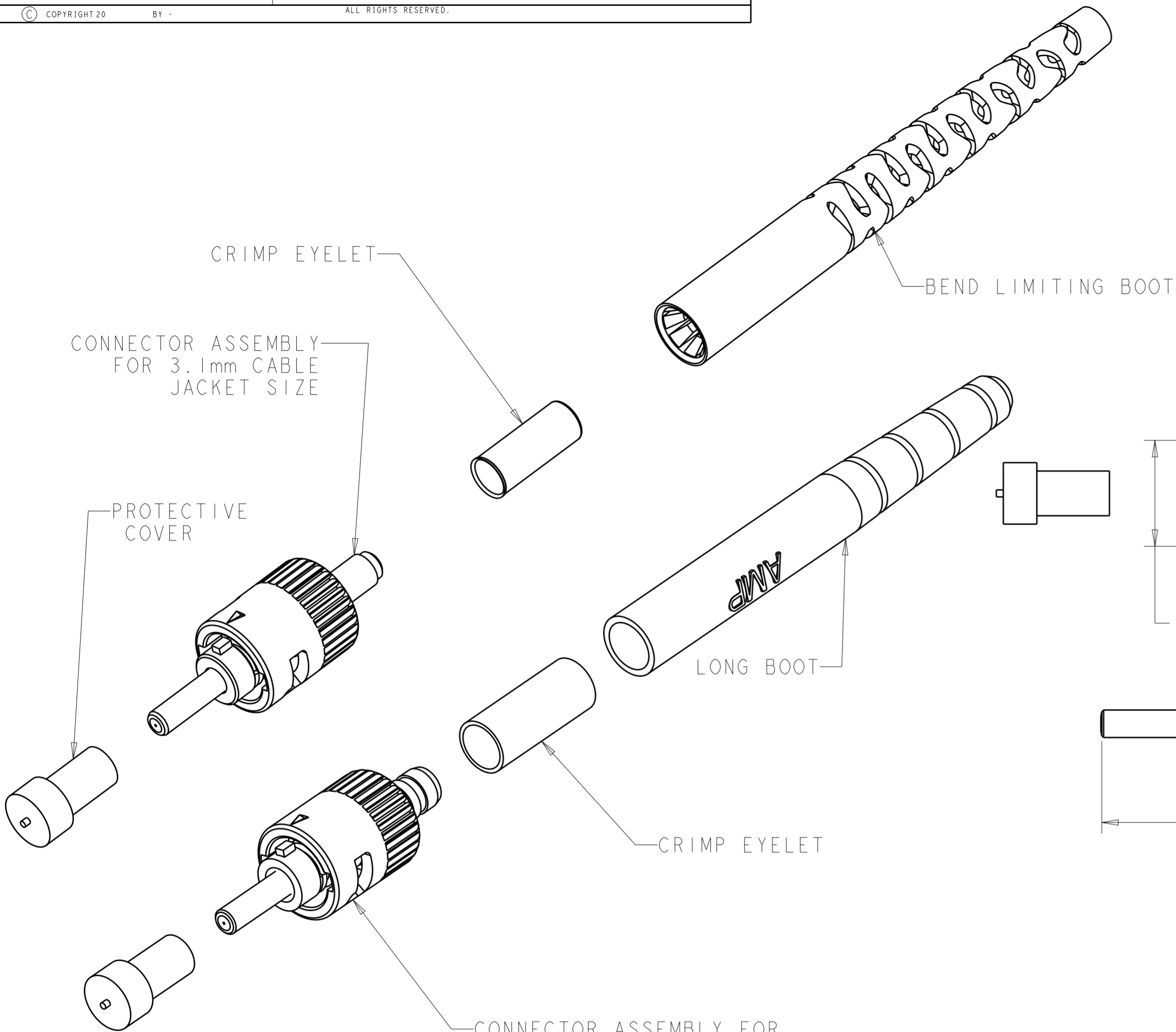


THIS DRAWING IS UNPUBLISHED. RELEASED FOR PUBLICATION 20  
 © COPYRIGHT 20 BY - ALL RIGHTS RESERVED.

LOC	DIST	REVISIONS					
CE	00	P	LTR	DESCRIPTION	DATE	DWN	APVD
		B	I	REVISED PER ECO-11-005027	15MAR2011	RK	HMR
		D		ECR-18-006929	18JUN2018	PHM	DW



CONNECTOR ASSEMBLY FOR  
4.3mm CABLE JACKET SIZE  
(5504008-4 ONLY)

	⚠	NONE	125um	5-5504008-4
OBSOLETE		BEND LIMITING	280um	4-5504008-6
OBSOLETE		BEND LIMITING	125um	1-5504008-7
		BEND LIMITING	231um	1.5504008-4
		BEND LIMITING	240um	1-5504008-3
OBSOLETE		BEND LIMITING	140um	5504008-7
		LONG	125um	5504008-4
		BEND LIMITING	125um	5504008-3
		BOOT	HOLE SIZE	PART NUMBER

- ⚠ BULK PACKAGE.
- ⚠ MATERIAL:
  - PROTECTIVE COVER: LDPE, COLOR: BLACK, NON-FR.
  - CONNECTOR ASSY
  - FERRULE ASSY: STAINLESS STEEL/NICKEL PLATED BRASS.
  - SPRING: STAINLESS STEEL.
  - COUPLING NUT: ZINC.
  - RETENTION RING: STAINLESS STEEL.
  - 3.1mm CRIMP EYELET: TIN PLATED COPPER.
  - LONG AND BEND LIMITING BOOTS: TPE, COLOR: BLACK, UL94 V-0 RATED AT AT QUALIFYING THICKNESS.
  - 4.3mm CRIMP EYELET: NICKEL PLATED BRASS

THIS DRAWING IS A CONTROLLED DOCUMENT.

DIMENSIONS:	TOLERANCES UNLESS OTHERWISE SPECIFIED:	DWN B. BRIGGS 29 JUN 2005	 TE Connectivity
mm	0 PLC ±	CHK S. BUCHTER 29 JUN 2005	
	1 PLC ±	APVD S. BUCHTER 29 JUN 2005	
	2 PLC ±	PRODUCT SPEC	
	3 PLC ±	APPLICATION SPEC	NAME
	4 PLC ±	WEIGHT	CONNECTOR KIT, SST, 2.5mm BAYONET
MATERIAL	ANGLES ±	CUSTOMER DRAWING	SIZE CAGE CODE DRAWING NO RESTRICTED TO
	FINISH		A200779 C-5504008
			SCALE 3:1 SHEET 1 OF 1 REV D

## X-ON Electronics

Largest Supplier of Electrical and Electronic Components

*Click to view similar products for [Fiber Optic Connectors](#) category:*

*Click to view products by [TE Connectivity](#) manufacturer:*

Other Similar products are found below :

[0004700001](#) [6100-R](#) [6313](#) [F709034706](#) [F709722200](#) [F718183204](#) [F727403500](#) [F727752800](#) [FCXO-12-3BY](#) [FO-SCREW\(M2X6\)](#) [9440F20-27S-190](#) [944-120-6001](#) [944-125-6003](#) [9441F10SL-3S](#) [9446F10SL-4S](#) [953-101-5310-P](#) [954-101-57202B](#) [A0270169](#) [12-9122](#) [12-5702](#) [143025NC](#) [AX101713](#) [AX102420](#) [AX103923](#) [AX104141](#) [AX104193](#) [AX104228](#) [AX104230](#) [AX104562](#) [AX105203-B25](#) [AX105205-S1](#) [EHSC2M](#) [17-300800](#) [181-011-126](#) [BT34IW](#) [HRFCP-HSCJ-1\(61\)](#) [HRFC-R2\(40\)](#) [NKSOPBUY](#) [20500002116](#) [2064996-1](#) [20800001065](#) [2170](#) [9132](#) [2612](#) [2620](#) [9291](#) [9440F18-19S](#) [9440F20-14P](#) [9440F20-14PW](#) [9440W18-1S](#)