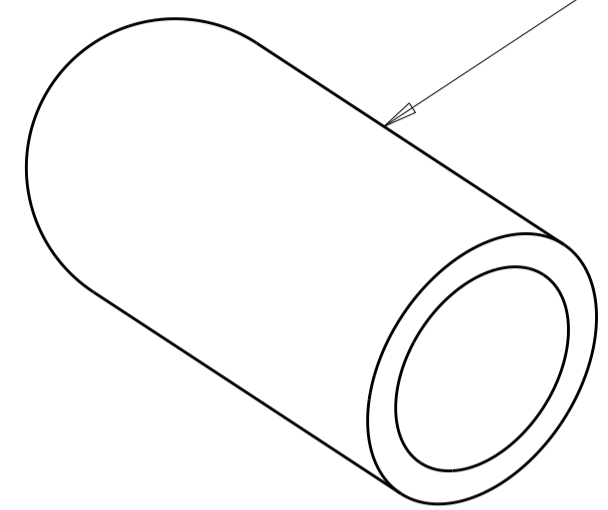


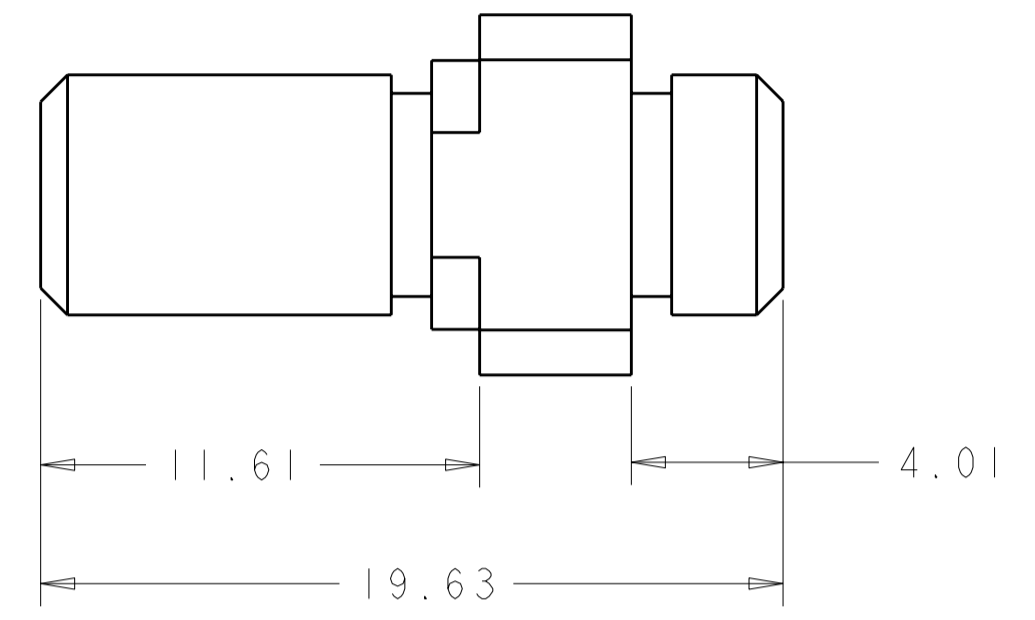
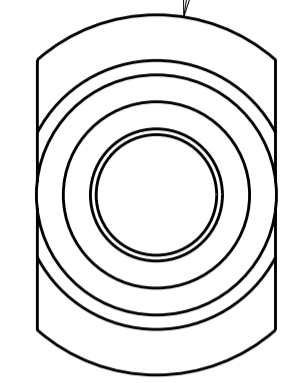
THIS DRAWING IS UNPUBLISHED. RELEASED FOR PUBLICATION 20
 © COPYRIGHT 20 BY - ALL RIGHTS RESERVED.

LOC	DIST	REVISIONS					
CE	00	P	LTR	DESCRIPTION	DATE	DWN	APVD
		B		REVISED PER ECR 11-022976	13NOV2011	DLF	LS

PROTECTIVE CAP

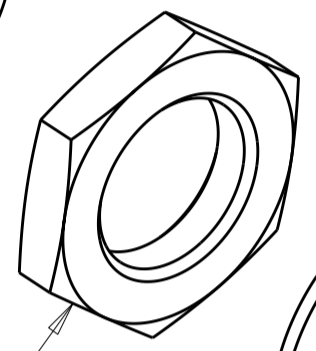


Ø 9.52

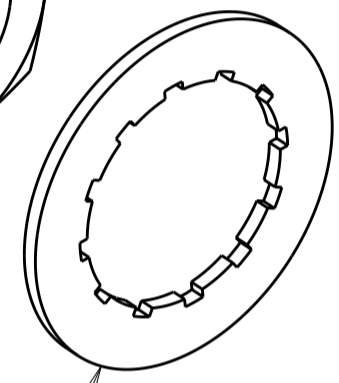


BULKHEAD ADAPTER

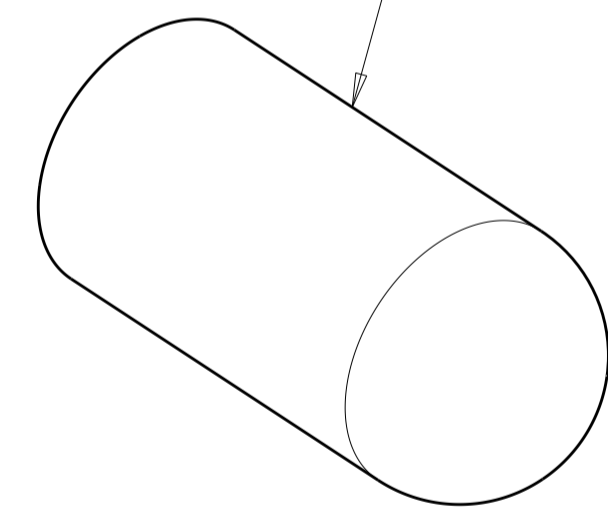
HEX NUT



LOCK WASHER



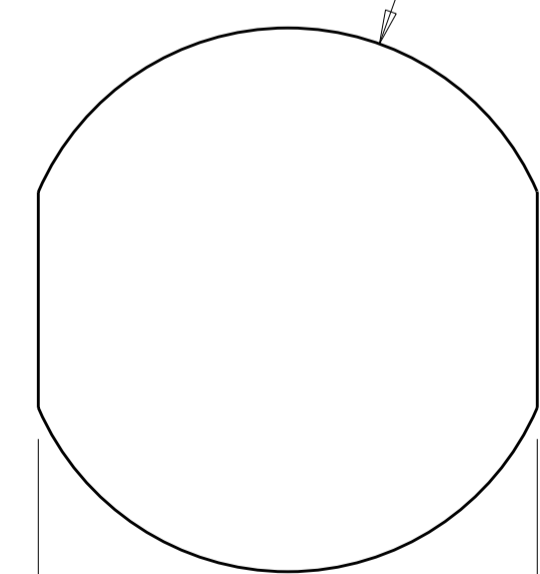
PROTECTIVE CAP



△ MATERIAL:
 PROTECTIVE CAP: VINYL, COLOR: RED
 HEX NUT: NICKEL PLATED BRASS
 HEX ADAPTER: NICKEL PLATED BRASS
 LOCK WASHER: STAINLESS STEEL

2. FOR USE WITH 5.29[0.208]
 MAXIMUM PANEL THICKNESS.

Ø 7.19



6.6
MIN

5504026-1
PART NUMBER

THIS DRAWING IS A CONTROLLED DOCUMENT.		DWN B. BRIGGS 08MAY2006	TE Connectivity	
DIMENSIONS: mm		CHK L. SAUERWEIN 08MAY2006		
TOLERANCES UNLESS OTHERWISE SPECIFIED:		APVD S. BUCHTER 08MAY2006	NAME BULKHEAD ASSEMBLY, FSMA ADAPTER	
0 PLC ± 1 PLC ± 2 PLC ± 3 PLC ± 4 PLC ± ANGLES ± FINISH		PRODUCT SPEC -	RESTRICTED TO -	
MATERIAL △ -		APPLICATION SPEC -	SIZE A200779	DRAWING NO C-5504026
		WEIGHT -	SCALE 5:1	SHEET 1 OF 1
		CUSTOMER DRAWING	REV B	

X-ON Electronics

Largest Supplier of Electrical and Electronic Components

Click to view similar products for [Fiber Optic Connectors](#) category:

Click to view products by [TE Connectivity](#) manufacturer:

Other Similar products are found below :

[0004700001](#) [6100-R](#) [6313](#) [F709034706](#) [F709722200](#) [F718183204](#) [F727403500](#) [F727752800](#) [FCXO-12-3BY](#) [FO-SCREW\(M2X6\)](#) [9440F20-27S-190](#) [944-120-6001](#) [944-125-6003](#) [9441F10SL-3S](#) [9446F10SL-4S](#) [953-101-5310-P](#) [954-101-57202B](#) [A0270169](#) [12-9122](#) [12-5702](#) [143025NC](#) [AX101713](#) [AX102420](#) [AX103923](#) [AX104141](#) [AX104193](#) [AX104228](#) [AX104230](#) [AX104562](#) [AX105203-B25](#) [AX105205-S1](#) [EHSC2M](#) [17-300800](#) [181-011-126](#) [BT34IW](#) [HRFCP-HSCJ-1\(61\)](#) [HRFC-R2\(40\)](#) [NKSOPBUY](#) [20500002116](#) [2064996-1](#) [20800001065](#) [2170](#) [9132](#) [2612](#) [2620](#) [9291](#) [9440F18-19S](#) [9440F20-14P](#) [9440F20-14PW](#) [9440W18-1S](#)