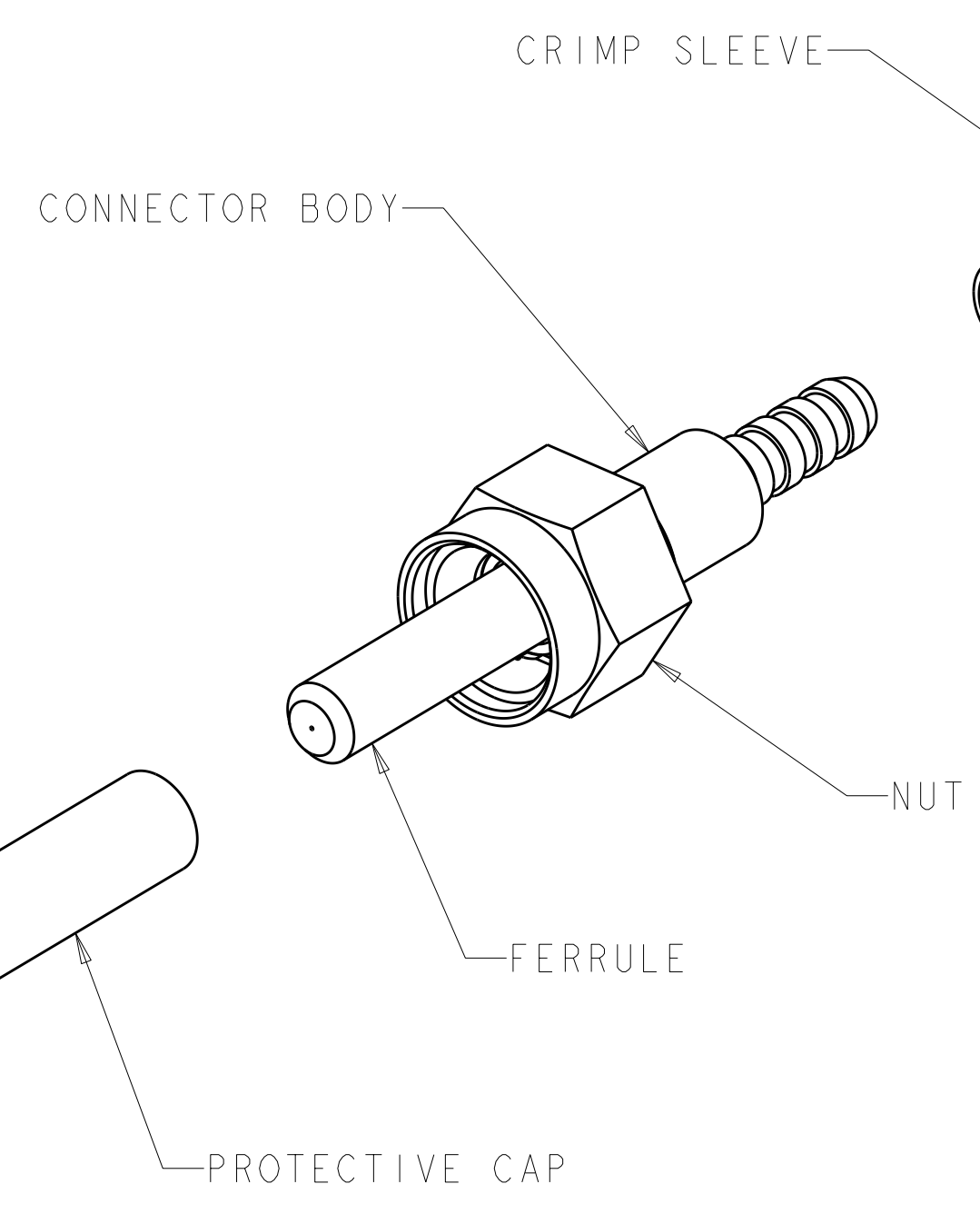
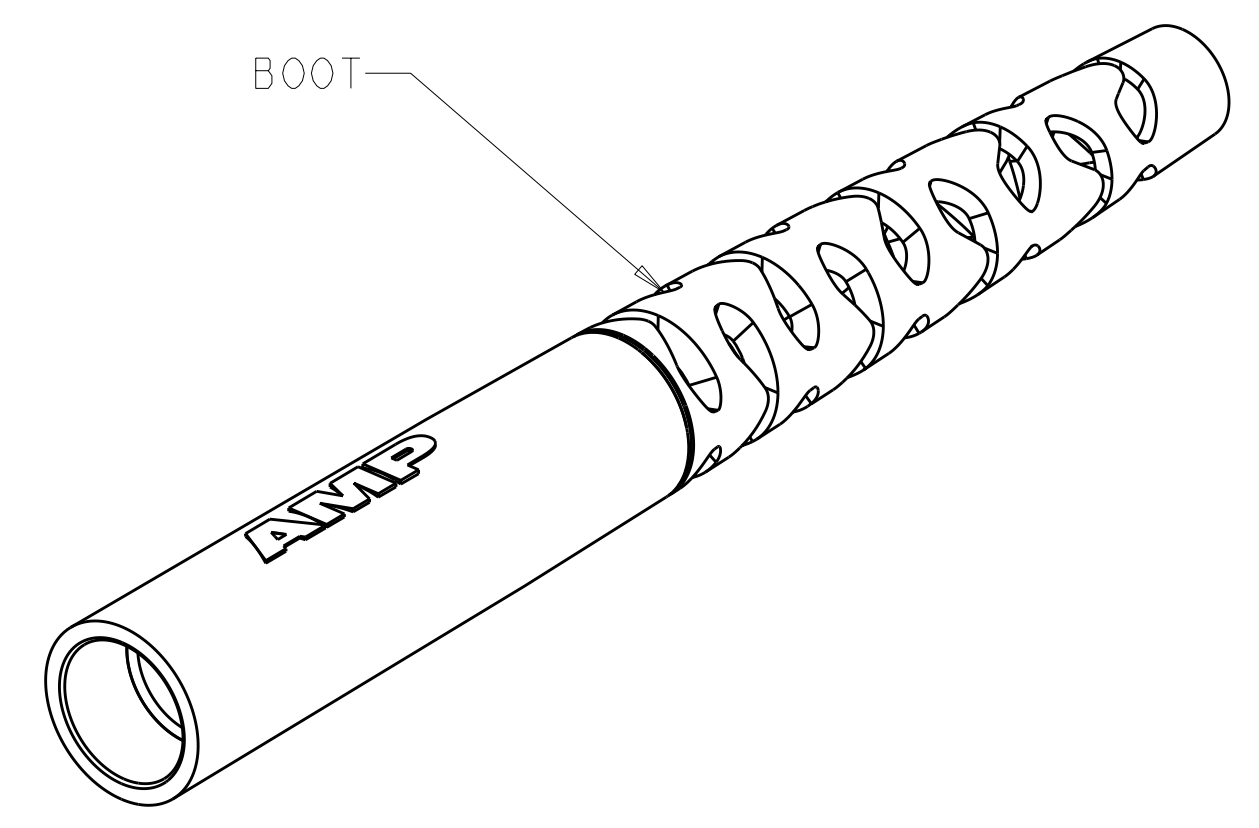
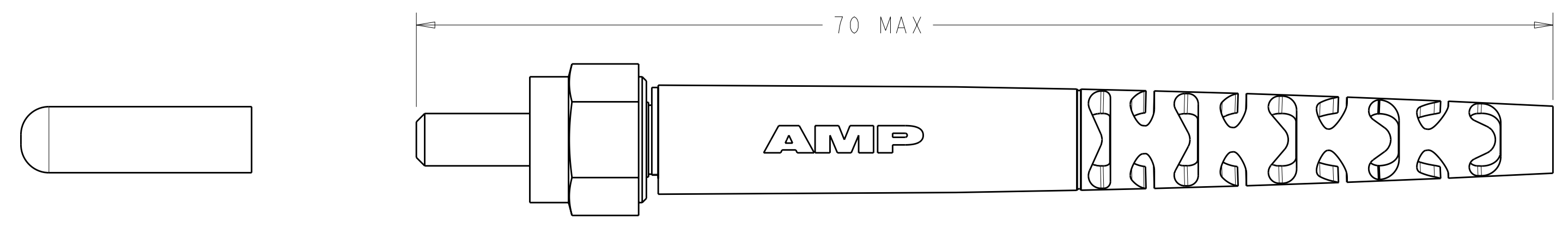


THIS DRAWING IS UNPUBLISHED. RELEASED FOR PUBLICATION 20
 © COPYRIGHT 20 ALL RIGHTS RESERVED.

LOC	DIST	REVISIONS			
P	LTR	DESCRIPTION	DATE	DWN	APVD
CE	00	CI	REVISE PER ECO-11-005139	29APR2011	RK HMR



⚠ MATERIAL:
 CONNECTOR ASSEMBLY:
 FERRULE: STAINLESS STEEL
 REAR BODY: BRASS, NICKEL PLATED
 COUPLING NUT: BRASS, NICKEL PLATED
 CRIMP EYELET: BRASS, NICKEL PLATED
 BOOT: POLYOLEFIN ELASTOMER, COLOR: BLACK*
 PROTECTIVE CAP: VINYL, COLOR: RED
 *UL94 V-0 RATED AT QUALIFYING THICKNESS.

2. COUPLING NUT NORMAL TIGHTENING TORQUE RANGE IS 7.0 TO 10.0 in-lbf. DO NOT EXCEED 20 in-lbf.

⚠ CRIMP SLEEVE AND BOOT NOT SUPPLIED.

⚠ 3	1.48mm	4-5504566-3
	635um	4-5504566-2
	.042 in	3-5504566-1
	.039 in	3-5504566-0
	641um	2-5504566-8
	336um	1-5504566-4
	231um	5504566-7
	140um	5504566-2
	125um	5504566-1
	FIBER HOLE SIZE	PART NUMBER

THIS DRAWING IS A CONTROLLED DOCUMENT.

DWN	B. BRIGGS	16 JUN 2005
CHK	L. SAUERWEIN	16 JUN 2005
APVD	S. BUCHTER	16 JUN 2005

STE TE Connectivity

NAME: CONNECTOR KIT, SMA 905, STAINLESS STEEL FRONT BODY, BRASS REAR BODY, 3.1mm CABLE

SIZE	CAGE CODE	DRAWING NO	RESTRICTED TO
A2	00779	C-5504566	-

CUSTOMER DRAWING SCALE 4:1 SHEET 1 OF 1 REV C1

X-ON Electronics

Largest Supplier of Electrical and Electronic Components

Click to view similar products for [TE Connectivity](#) manufacturer:

Other Similar products are found below :

[D38999/24FJ4AN](#) [570416-000](#) [CLTEQ-M81CE-SSRELAY-4-20V](#) [4-1195131-0](#) [650069-000](#) [SMD100-2](#) [358838-000](#) [CB-1022B-78](#)
[RM707012](#) [RP410012](#) [MMS42](#) [1-640426-8](#) [2EDL4CM](#) [DTS20W19-11PD-3028-LC](#) [RM202615](#) [NC6-P104-06](#) [MSPS103B](#) [DTS26F21-](#)
[41HE-LC](#) [DTS26F21-41AE](#) [DTS26F21-41PE-LC](#) [DTS26F21-11SE-3028-LC](#) [30DCB6](#) [1932144-1](#) [293545-4](#) [LVR125S](#) [MS27466T25F4PB](#)
[CKB-38-78010](#) [TR04AI-TINELLOCKRING](#) [1206SFF150F/63-2](#) [D38999/20JB35HA](#) [TE1500A2R2J](#) [D38999/20WC8BB](#) [DTS24F19-11SC-](#)
[3028-LC](#) [D38999/24WG11HA](#) [D38999/24WG11HN](#) [MS27467T21F11H](#) [DJT16E21-11HA](#) [MS27467T21F35J](#) [MS27467T21F11J](#)
[MS27467T21F16H-LC](#) [MS27467T21F35H](#) [MS27467T21F41H-LC](#) [1206SFH150F/24-2](#) [RP330024](#) [DJT16E21-11PA-LC](#) [DJT16E21-11HA-](#)
[LC](#) [DJT16E21-11AA](#) [MS27467T21B11JA](#) [DJT16E21-11JA](#) [MS27467T21B11JA-LC](#)