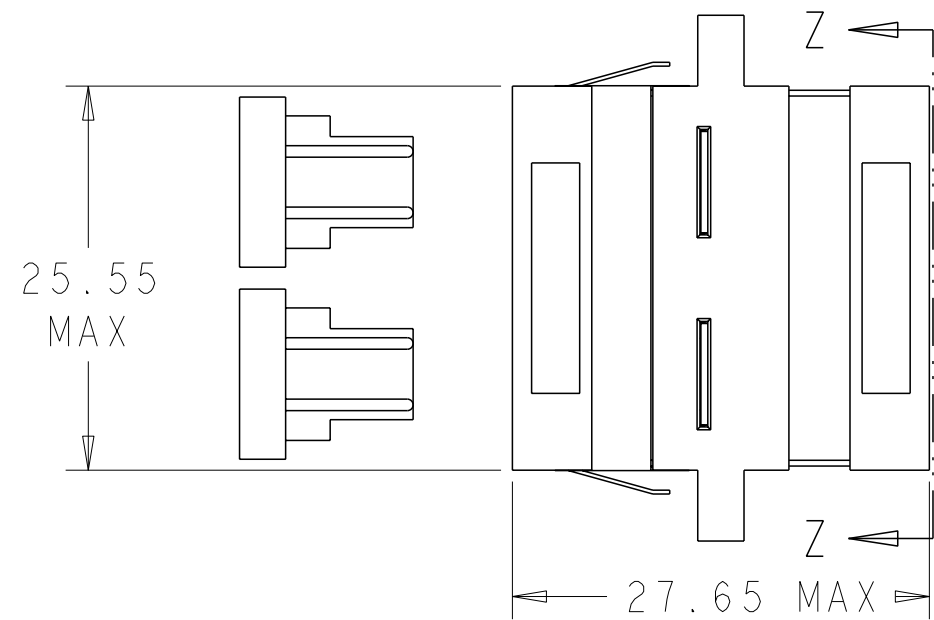
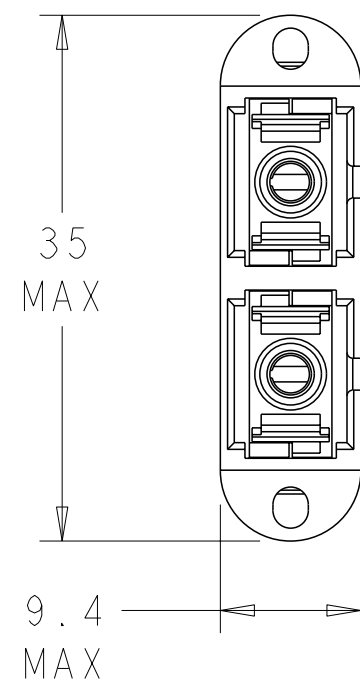
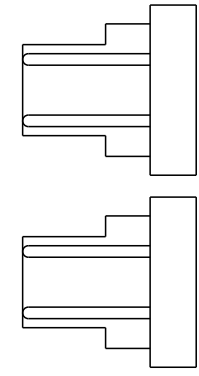


THIS DRAWING IS UNPUBLISHED. RELEASED FOR PUBLICATION 20
 © 2016 COMMSCOPE INC. CONFIDENTIAL NOTICE: THESE DRAWINGS AND SPECIFICATIONS ARE THE PROPRIETARY PROPERTY OF COMMSCOPE, INC. AND MAY BE USED ONLY FOR THE SPECIFIC PURPOSE AUTHORIZED IN WRITING BY COMMSCOPE, INC.

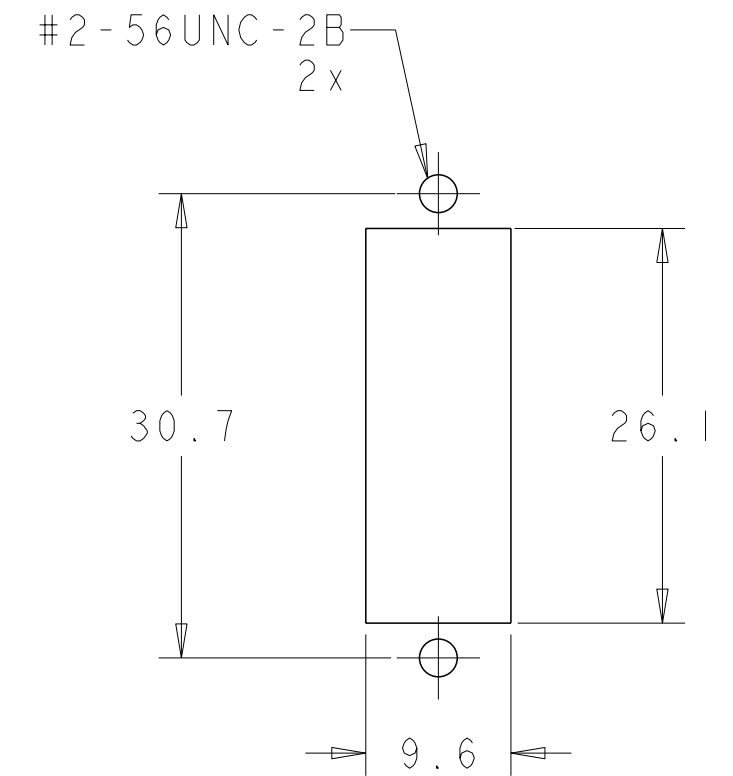
REVISIONS				
P	LTR	DESCRIPTION	DATE	APVD
	D	REV; 40033035MCO	22AUG2016	GG TE



SCALE 2:1



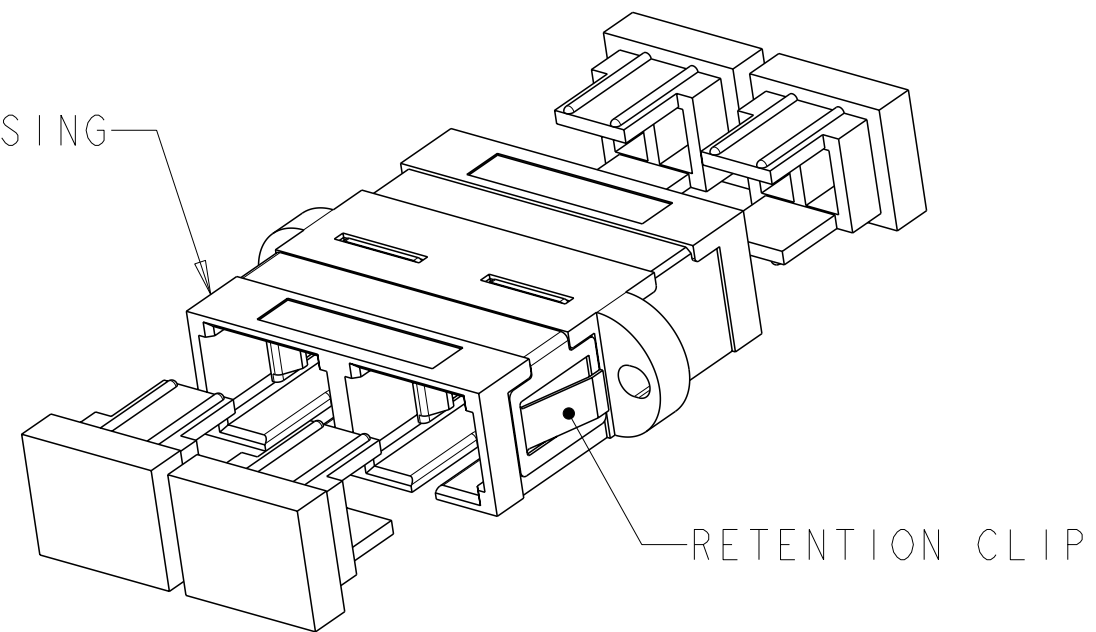
SECTION Z-Z



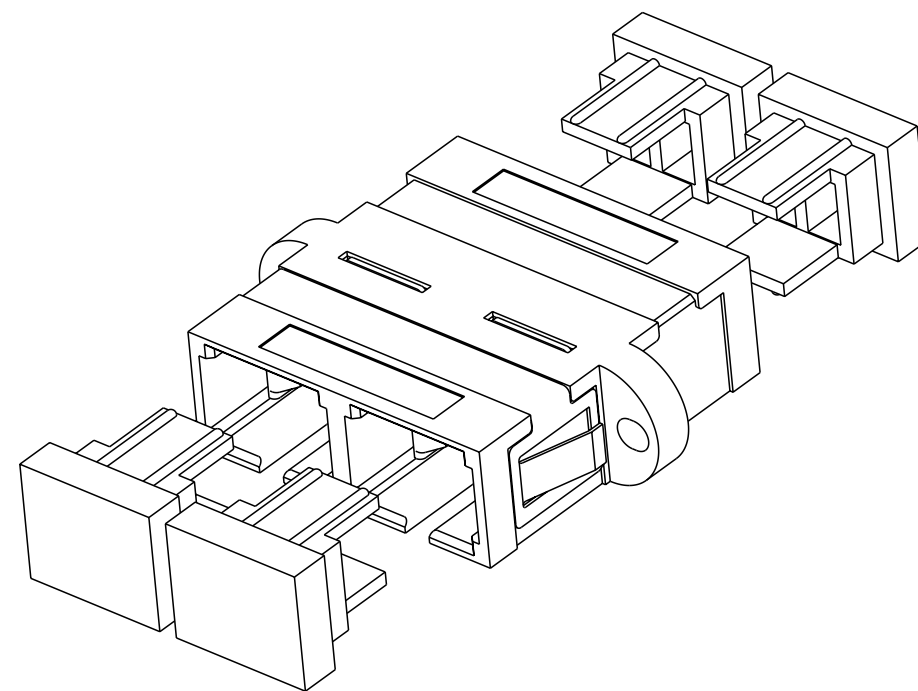
SCALE 2:1

SUGGESTED PANEL CUTOUT
 MAX PANEL THICKNESS 1.7

DUPLEX HOUSING



5504640-1/-2/-3/-4/-5/-6
 (WITHOUT TE LOGO)



5504640-7/-8
 (WITH TE LOGO)

1 MATERIAL:
 HOUSING: PBT-GF30, SEE DASH NUMBERS FOR COLOR.*
 RETAINER: PEI-GF30, COLOR: BLACK.*
 RETENTION CLIP: STAINLESS STEEL.
 ALIGNMENT SLEEVE: METAL.
 PROTECTIVE COVER: TPE, COLOR: BLACK.*
 *UL94 V-0 RATED AT QUALIFYING THICKNESS.

2 BULK PACKAGE.

NONE	LT. ALMOND	5504640-8
RETENTION CLIP	BEIGE	5504640-7
RETENTION CLIP	AQUA	5504640-6
RETENTION CLIP	BLACK	5504640-4
NONE	LT ALMOND	5504640-3
RETENTION CLIP	BEIGE	5504640-2
RETENTION CLIP	BEIGE	5504640-1
INCLUDED HARDWARE	COLOR	PART NUMBER

DIMENSIONS:		TOLERANCES UNLESS OTHERWISE SPECIFIED:		DWN		CHK		APVD		NAME	
mm		0 PLC	±	B. BRIGGS	16MAY2005	S. MILLER	16MAY2005	S. BUCHTER	16MAY2005	COMMSCOPE, INC.	
		1 PLC	±0.1	PRODUCT SPEC		APPLICATION SPEC		WEIGHT		RECEPTACLE ASSEMBLY, DUPLEX, SC TO SC, MULTIMODE	
		2 PLC	±0.05	-		-		-		SIZE	CAGE CODE
		3 PLC	±	-		-		-		A2	00779
		4 PLC	±	-		-		-		DRAWING NO	RESTRICTED TO
		ANGLES	±	-		-		-		C=5504640	-
		FINISH	-	-		-		-		SCALE	SHEET
			-	-		-		-		4:1	OF
			-	-		-		-		REV	D

X-ON Electronics

Largest Supplier of Electrical and Electronic Components

Click to view similar products for [Fibre Optic Connectors](#) category:

Click to view products by [TE Connectivity](#) manufacturer:

Other Similar products are found below :

[0004700001](#) [6100-R](#) [6313](#) [F709034706](#) [F709722200](#) [F709730000](#) [F718183204](#) [F727403500](#) [F727752800](#) [8119](#) [9440F20-27S-190](#) [944-120-6001](#) [9441F10SL-3S](#) [9444W28-21S](#) [9444W36-10S](#) [9446F10SL-4S](#) [9446W20-16S](#) [953-101-5310-P](#) [954-101-57202B](#) [A0270169](#) [12-9122](#) [12-5702](#) [AX101713](#) [AX102420](#) [AX103923](#) [AX104024](#) [AX104193](#) [AX104230](#) [AX104562](#) [AX105203-B25](#) [AX105205-S1](#) [EHSC2M](#) [181-011-126](#) [181-011-S](#) [181-057-126](#) [HRFC-R2\(40\)](#) [NKSOPBUY](#) [20500002116](#) [2064996-1](#) [20800001065](#) [2170](#) [9132](#) [2612](#) [2620](#) [9291](#) [9440F16-10S](#) [9440F20-18S](#) [9446F16-10S-190](#) [953-106-50231](#) [953-120-5003](#)