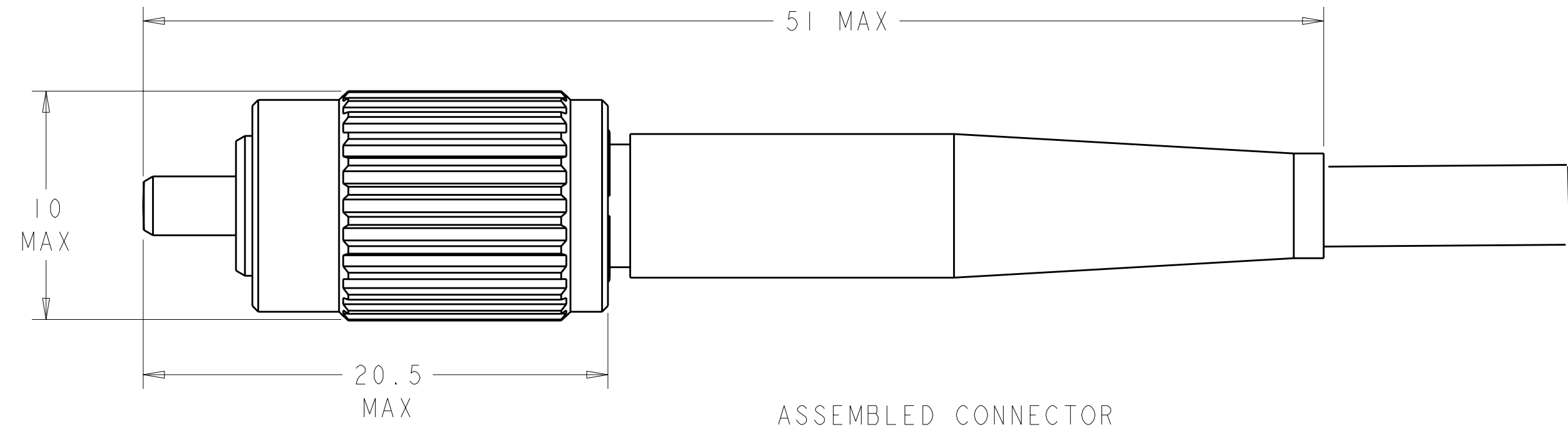


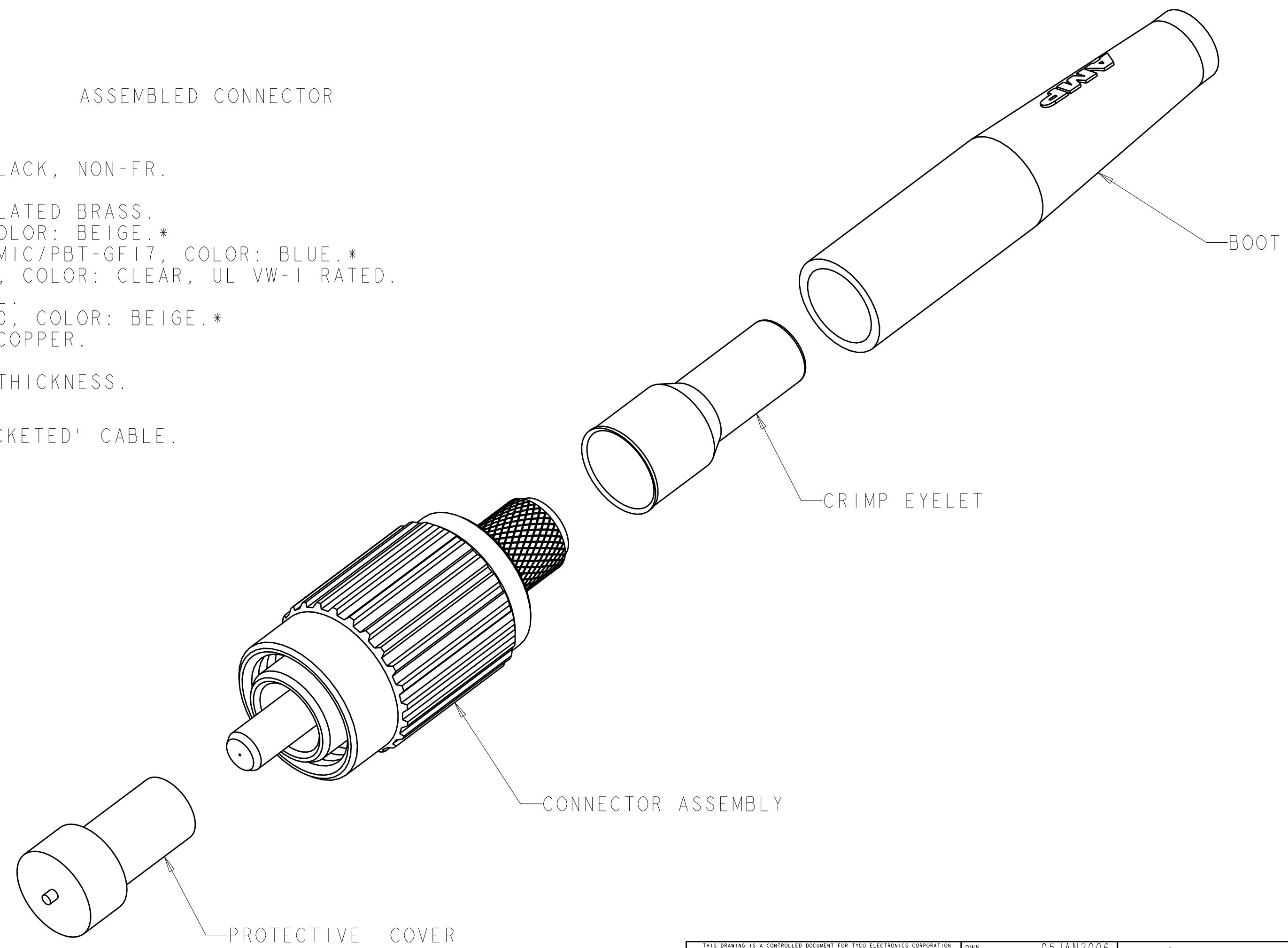
THIS DRAWING IS UNPUBLISHED. RELEASED FOR PUBLICATION 20
 © COPYRIGHT 20 BY TYCO ELECTRONICS CORPORATION. ALL RIGHTS RESERVED.

| LOC | DIST | REVISIONS | | | |
|-----|------|-------------|-------------------|-----------|-------|
| P | LTR | DESCRIPTION | DATE | DWN | APVD |
| CE | 00 | A | RELEASE TO ACTIVE | 07JUN2006 | BB SM |
| | | | | | |
| | | | | | |



- 1 MATERIAL:
- PROTECTIVE COVER: LDPE, BLACK, NON-FR.
 - CONNECTOR SUB-ASSEMBLY:
 - COUPLING NUT: NICKEL PLATED BRASS.
 - PLUG BODY: PPS-GF40, COLOR: BEIGE.*
 - FERRULE ASSEMBLY: CERAMIC/PBT-GF17, COLOR: BLUE.*
 - EPOXY-FILL TUBING: PVC, COLOR: CLEAR, UL VW-1 RATED.
 - SPRING: STAINLESS STEEL.
 - RETAINER BODY: PES-GF20, COLOR: BEIGE.*
 - CRIMP EYELET: TIN PLATED COPPER.
 - BOOT: TPE, COLOR: BLUE.*
- *UL94 V-0 RATED AT QUALIFYING THICKNESS.

2. TO BE USED WITH 2.0mm "LOOSE JACKETED" CABLE.



5504915-2
 PART NUMBER

| | | | |
|--|---|---|--|
| <small>THIS DRAWING IS A CONTROLLED DOCUMENT FOR TYCO ELECTRONICS CORPORATION. IT IS SUBJECT TO CHANGE AND THE CONTROLLING ENGINEERING ORGANIZATION SHOULD BE CONTACTED FOR THE LATEST REVISION.</small> | | DWN B. BRIGGS 05JAN2006 CHK S. MILLER 05JAN2006 APVD S. BUCHTER 05JAN2006 | tyco Electronics Tyco Electronics Harrisburg, PA 17105-3608 |
| DIMENSIONS: mm | TOLERANCES UNLESS OTHERWISE SPECIFIED: 0 PLC ± 1 PLC ± 2 PLC ± 3 PLC ± 4 PLC ± ANGLES ± FINISH | PRODUCT SPEC APPLICATION SPEC WEIGHT CUSTOMER DRAWING | NAME CONNECTOR KIT, SINGLEMODE, FC, ONE PIECE, 2.0mm SIZE A2 CAGE CODE 00779 DRAWING NO 5504915 RESTRICTED TO - SCALE 5:1 SHEET 1 OF 1 REV A |

X-ON Electronics

Largest Supplier of Electrical and Electronic Components

Click to view similar products for [TE Connectivity](#) manufacturer:

Other Similar products are found below :

[D38999/24FJ4AN](#) [570416-000](#) [CLTEQ-M81CE-SSRELAY-4-20V](#) [4-1195131-0](#) [650069-000](#) [SMD100-2](#) [358838-000](#) [CB-1022B-78](#)
[RM707012](#) [RP410012](#) [MMS42](#) [1-640426-8](#) [2EDL4CM](#) [DTS20W19-11PD-3028-LC](#) [RM202615](#) [NC6-P104-06](#) [MSPS103B](#) [DTS26F21-41HE-LC](#) [DTS26F21-41AE](#) [DTS26F21-41PE-LC](#) [DTS26F21-11SE-3028-LC](#) [30DCB6](#) [1932144-1](#) [293545-4](#) [LVR125S](#) [MS27466T25F4PB](#)
[CKB-38-78010](#) [TR04AI-TINELLOCKRING](#) [1206SFF150F/63-2](#) [D38999/20JB35HA](#) [TE1500A2R2J](#) [D38999/20WC8BB](#) [DTS24F19-11SC-3028-LC](#) [D38999/24WG11HA](#) [D38999/24WG11HN](#) [MS27467T21F11H](#) [DJT16E21-11HA](#) [MS27467T21F35J](#) [MS27467T21F11J](#)
[MS27467T21F16H-LC](#) [MS27467T21F35H](#) [MS27467T21F41H-LC](#) [1206SFH150F/24-2](#) [RP330024](#) [DJT16E21-11PA-LC](#) [DJT16E21-11HA-LC](#) [DJT16E21-11AA](#) [MS27467T21B11JA](#) [DJT16E21-11JA](#) [MS27467T21B11JA-LC](#)