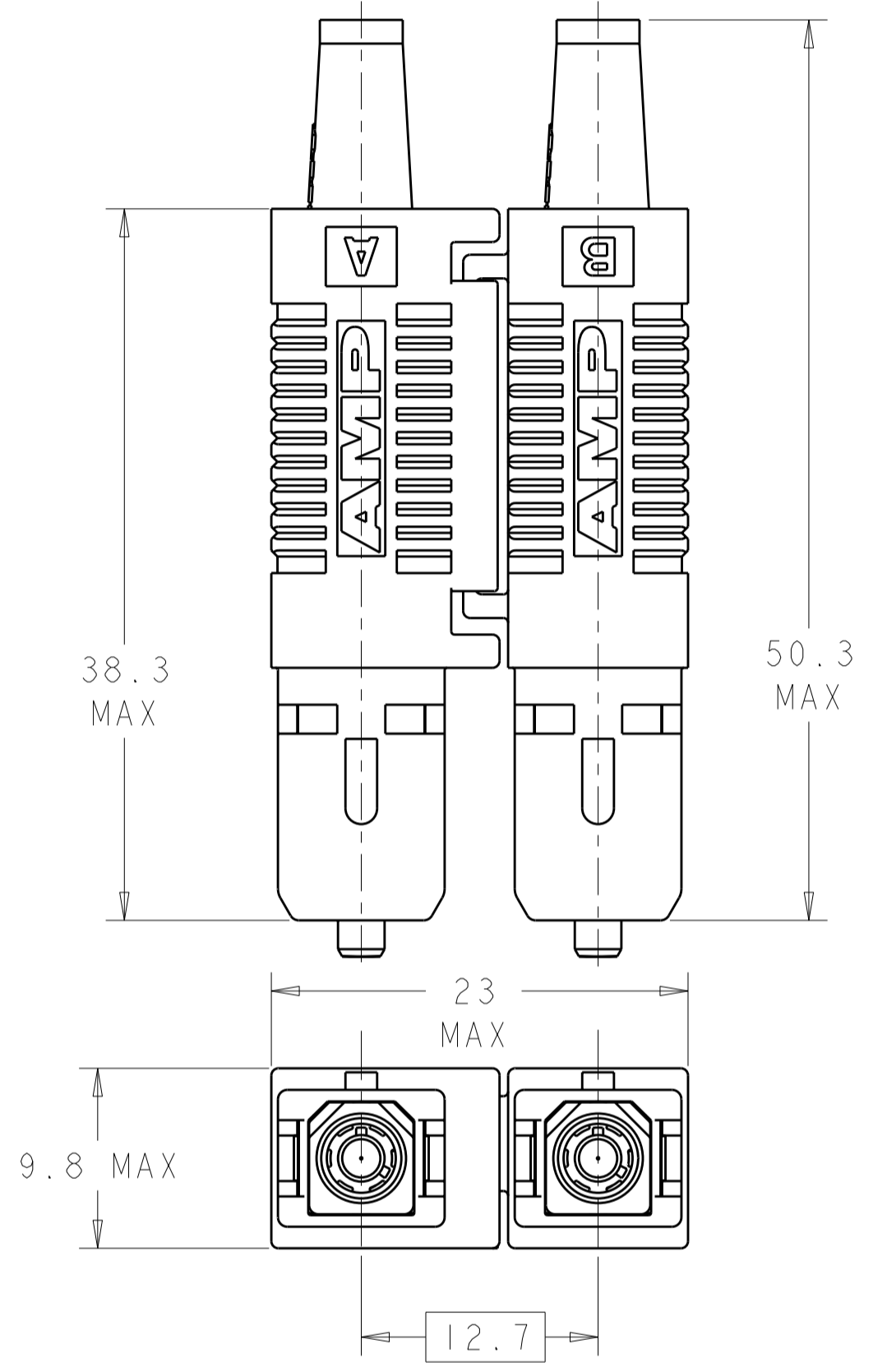
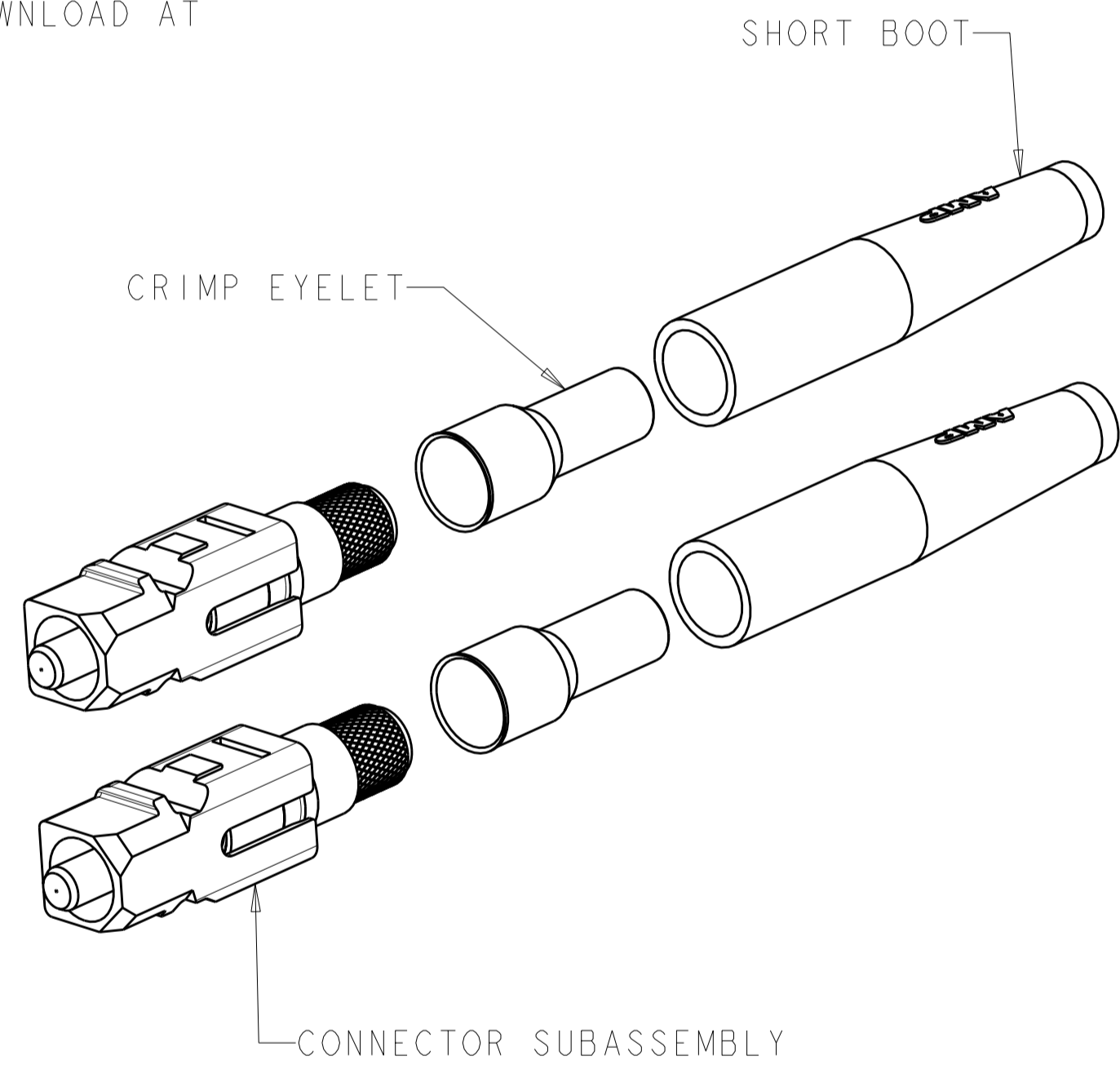
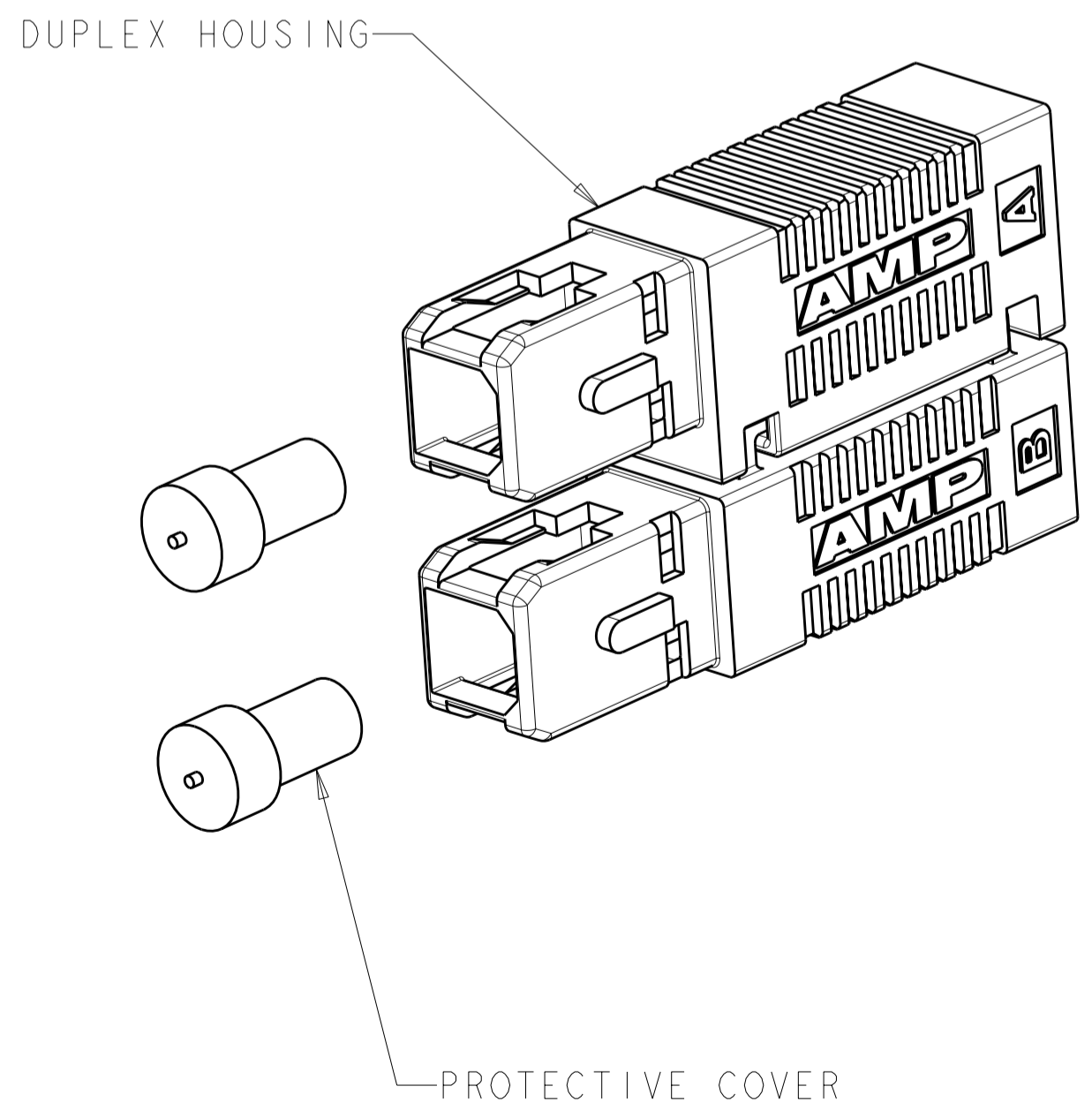


THIS DRAWING IS UNPUBLISHED. RELEASED FOR PUBLICATION 20
 © COPYRIGHT 20 BY TYCO ELECTRONICS CORPORATION. ALL RIGHTS RESERVED.

LOC		DIST		REVISIONS			
P	LTR	DESCRIPTION	DATE	DWN	APVD		
	A	RELEASE TO ACTIVE	09JUN2006	BB	SM		
	B	REVISE PER ECR-07-011930	06JUN2007	BB	SM		
	BI	ADD NOTE 3.	12MAY2009	KG	SB		

- 1 MATERIAL:
- CONNECTOR HOUSING: PBT-GF17, COLOR: BEIGE.*
 - PROTECTIVE COVER: LDPE, COLOR: BLACK, NON-FR.
 - CONNECTOR SUBASSEMBLY:
 - PLUG BODY: PES-GF20, COLOR: BEIGE.*
 - FERRULE ASSEMBLY: CERAMIC/PBT-GF17, COLOR: BEIGE.*
 - EPOXY FILL TUBING: PTFE, COLOR: CLEAR, UL VW-1 RATED.
 - SPRING: STAINLESS STEEL.
 - RETAINER BODY: PES-GF20, COLOR: BEIGE.*
 - CRIMP EYELET: TIN PLATED COPPER.
 - BOOT: TPE, COLOR: SEE TABLE.*
- *UL94 V-0 RATED AT QUALIFYING THICKNESS.

2. FOR USE WITH 2.0mm "LOOSE-JACKETED" CABLE.
3. INSTRUCTION SHEET 408-8674 AVAILABLE FOR DOWNLOAD AT
www.tycoelectronics.com/documents OR
www.ampnetconnect.com/foguide.



BLACK	5504928-4
AQUA	5504928-3
BEIGE	5504928-1
BOOT COLOR	PART NUMBER

THIS DRAWING IS A CONTROLLED DOCUMENT FOR TYCO ELECTRONICS CORPORATION. IT IS SUBJECT TO CHANGE AND THE CONTROLLING ENGINEERING ORGANIZATION SHOULD BE CONTACTED FOR THE LATEST REVISION.		DWN B. BRIGGS 14 JUL 2005	Tyco Electronics Harrisburg, PA 17105-3608
DIMENSIONS:		CHK S. MILLER 14 JUL 2005	
TOLERANCES UNLESS OTHERWISE SPECIFIED:		APVD S. BUCHTER 14 JUL 2005	
mm		PRODUCT SPEC	
0 PLC ±		APPLICATION SPEC	NAME AMP SC DUPLEX CONNECTOR KIT, MULTIMODE, 2.0mm
1 PLC ±		WEIGHT	
2 PLC ±		CUSTOMER DRAWING	SIZE A2
3 PLC ±		SCALE 3:1	CAGE CODE 00779
4 PLC ±		SHEET 1 OF 1	DRAWING NO 5504928
ANGLES ±		REV BI	RESTRICTED TO -
FINISH			

X-ON Electronics

Largest Supplier of Electrical and Electronic Components

Click to view similar products for [Fiber Optic Connectors](#) category:

Click to view products by [TE Connectivity](#) manufacturer:

Other Similar products are found below :

[0004700001](#) [6100-R](#) [6313](#) [F709034706](#) [F709722200](#) [F718183204](#) [F727403500](#) [F727752800](#) [FCXO-12-3BY](#) [FO-SCREW\(M2X6\)](#) [9440F20-27S-190](#) [944-120-6001](#) [944-125-6003](#) [9441F10SL-3S](#) [9446F10SL-4S](#) [953-101-5310-P](#) [954-101-57202B](#) [A0270169](#) [12-9122](#) [12-5702](#) [143025NC](#) [AX101713](#) [AX102420](#) [AX103923](#) [AX104141](#) [AX104193](#) [AX104228](#) [AX104230](#) [AX104562](#) [AX105203-B25](#) [AX105205-S1](#) [EHSC2M](#) [17-300800](#) [181-011-126](#) [BT34IW](#) [HRFCP-HSCJ-1\(61\)](#) [HRFC-R2\(40\)](#) [NKSOPBUY](#) [20500002116](#) [2064996-1](#) [20800001065](#) [2170](#) [9132](#) [2612](#) [2620](#) [9291](#) [9440F18-19S](#) [9440F20-14P](#) [9440F20-14PW](#) [9440W18-1S](#)