

THIS DRAWING IS UNPUBLISHED. RELEASED FOR PUBLICATION 20
 © 2016 COMMSCOPE INC. CONFIDENTIAL NOTICE: THESE DRAWINGS AND SPECIFICATIONS ARE THE PROPRIETARY PROPERTY OF COMMSCOPE, INC. AND MAY BE USED ONLY FOR THE SPECIFIC PURPOSE AUTHORIZED IN WRITING BY COMMSCOPE, INC.

REVISIONS				
P	LTR	DESCRIPTION	DATE	APVD
	C	REV; 40033535MCO	28SEP2016	GG TE

1 MATERIAL:

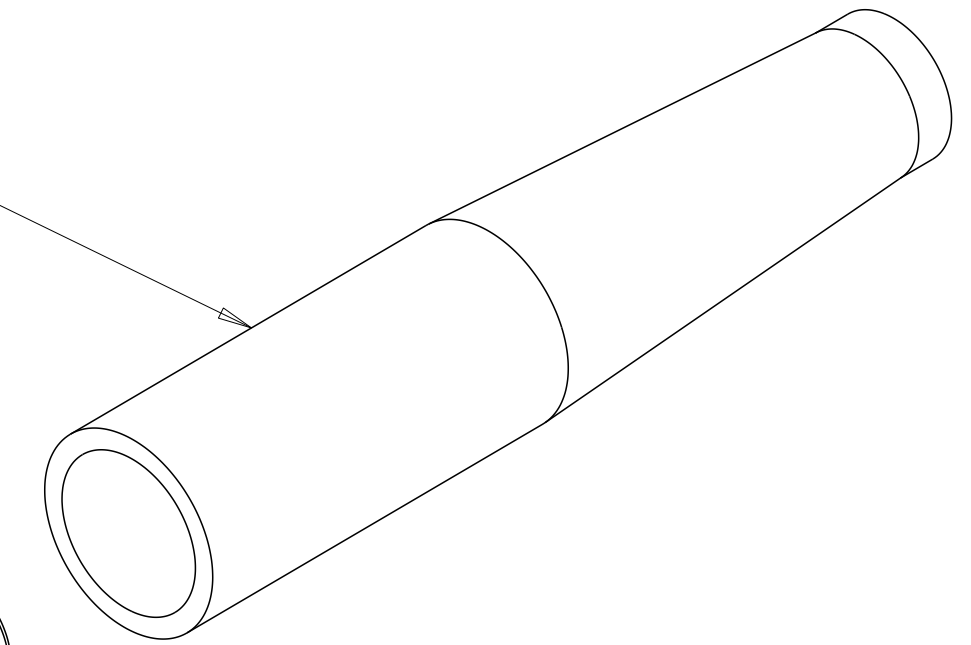
CONNECTOR HOUSING: PBT-GF17, COLOR: BEIGE.*
 CONNECTOR SUBASSEMBLY:
 PLUG BODY: PES-GF20, COLOR: BEIGE.*
 SPRING: STAINLESS STEEL
 FERRULE ASSEMBLY: CERAMIC/PBT-GF17, COLOR: BEIGE.*
 EPOXY-FILL TUBING: PVC, COLOR: CLEAR, UL VW-1 RATED.
 RETAINER BODY: PES-GF20, COLOR: BEIGE.*
 CRIMP EYELET: TIN PLATED COPPER
 BOOT: TPE, COLOR: SEE TABLE.*
 PROTECTIVE COVER: LDPE, COLOR: BLACK, NON-FR.
 *UL94 V-0 RATED AT QUALIFYING THICKNESS.

2. FOR USE WITH 2.0mm "LOOSE-JACKETED" CABLE.

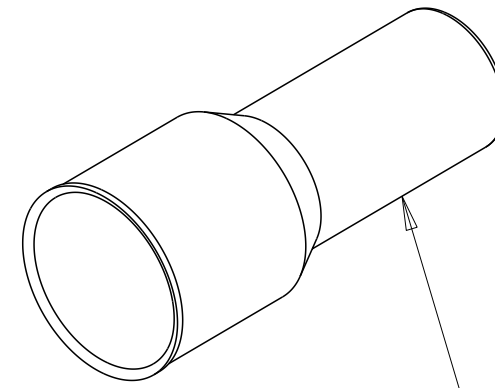
3 BULK PACKAGE.

4. INSTRUCTION SHEET 408-8674

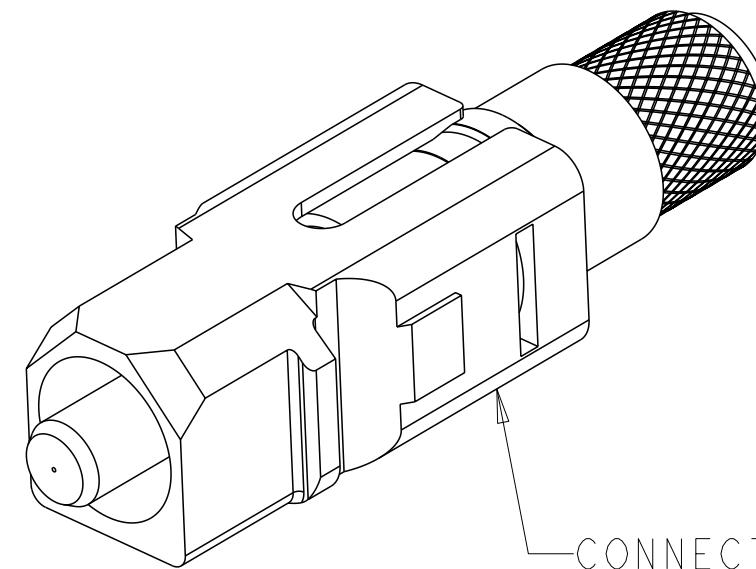
SHORT BOOT



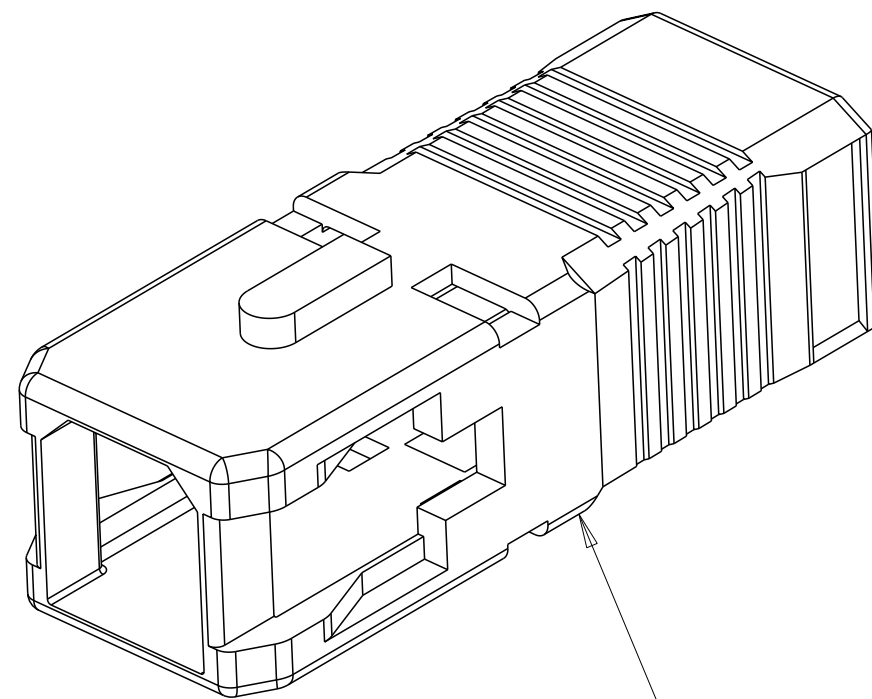
CRIMP EYELET



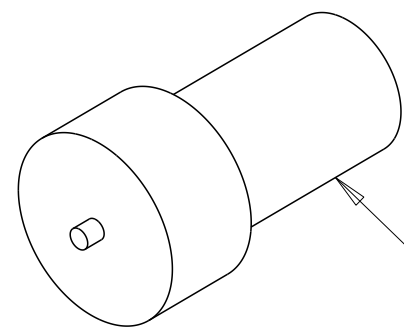
CONNECTOR SUBASSEMBLY



CONNECTOR HOUSING



PROTECTIVE COVER



BLACK	5504931-6
AQUA	5504931-5
RED	5504931-4
BLACK	5504931-3
BEIGE	5504931-1
BOOT COLOR	PART NUMBER

THIS DRAWING IS A CONTROLLED DOCUMENT.		DWN B. BRIGGS 05JAN2006	COMMSCOPE, INC.	
DIMENSIONS:		CHK S. MILLER 05JAN2006		
mm		APVD S. BUCHTER 05JAN2006		
TOLERANCES UNLESS OTHERWISE SPECIFIED:		PRODUCT SPEC	NAME AMP SC, MULTIMODE CONNECTOR KIT, 2.0mm	
0 PLC	±	APPLICATION SPEC	SIZE	CAGE CODE
1 PLC	±	WEIGHT	A200779	G-5504931
2 PLC	±	CUSTOMER DRAWING	SCALE	SHEET
3 PLC	±		5:1	1 OF 1
4 PLC	±			REV
ANGLES	±			C
FINISH	-			

X-ON Electronics

Largest Supplier of Electrical and Electronic Components

Click to view similar products for [Fibre Optic Connectors](#) category:

Click to view products by [TE Connectivity](#) manufacturer:

Other Similar products are found below :

[0004700001](#) [6100-R](#) [6313](#) [F709034706](#) [F709722200](#) [F709730000](#) [F718183204](#) [F727403500](#) [F727752800](#) [8119](#) [9440F20-27S-190](#) [944-120-6001](#) [9441F10SL-3S](#) [9444W28-21S](#) [9444W36-10S](#) [9446F10SL-4S](#) [9446W20-16S](#) [953-101-5310-P](#) [954-101-57202B](#) [A0270169](#) [12-9122](#) [12-5702](#) [AX101713](#) [AX102420](#) [AX103923](#) [AX104024](#) [AX104193](#) [AX104230](#) [AX104498](#) [AX104562](#) [AX105203-B25](#) [AX105205-S1](#) [EHSC2M](#) [181-011-126](#) [181-011-S](#) [181-057-126](#) [HRFC-R2\(40\)](#) [NKSOPBUY](#) [20500002116](#) [2064996-1](#) [20800001065](#) [2170](#) [9132](#) [2612](#) [2620](#) [9291](#) [9440F16-10S](#) [9440F20-18S](#) [9446F16-10S-190](#) [953-106-50231](#)