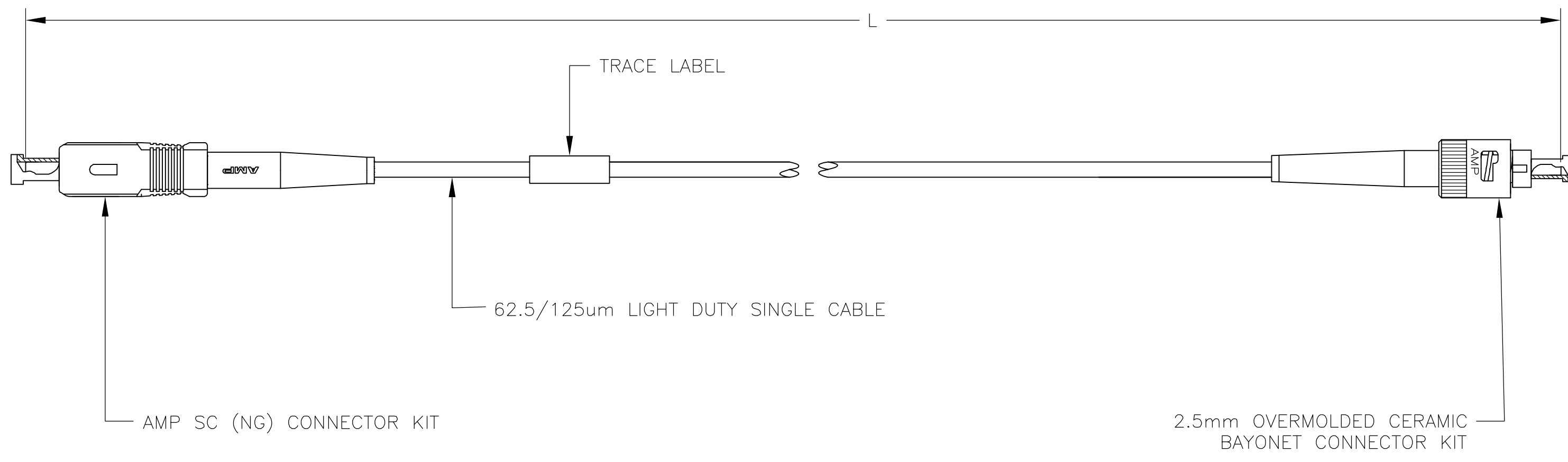


THIS DRAWING IS UNPUBLISHED. RELEASED FOR PUBLICATION
 © COPYRIGHT BY TYCO ELECTRONICS CORPORATION. ALL RIGHTS RESERVED.

LOC	DIST	REVISIONS			
P	LTR	DESCRIPTION	DATE	DWN	APVD
CE	16	A	RELEASED PER NPR	01 FEB 06	CSV JD



- 1 MAXIMUM INSERTION LOSS IS 0.5dB PLUS CABLE ATTENUATION OF 1.5dB/km AT 1300nm (SEE TABLE)
- 2. PRODUCT AND PROCESSING MUST MEET REQUIREMENTS OF THE TYCO ELECTRONICS STANDARD 230-702

0.50	4.00±0.08 [157.5±3.0]	1-5504972-3
0.50	6.1±0.08 [240±3]	1-5504972-2
0.65	100±1.0 [3937±39]	1-5504972-1
0.60	70±0.70 [2756±28]	1-5504972-0
0.59	60±0.60 [2362±24]	5504972-9
0.57	50±0.50 [1969±20]	5504972-8
0.53	20±0.3 [787±12]	5504972-7
0.52	15±0.15 [591±6]	5504972-6
0.51	10±0.15 [394±6]	5504972-5
0.50	5±0.08 [197±3]	5504972-4
0.50	3±0.05 [118±2]	5504972-3
0.50	2±0.05 [79±2]	5504972-2
0.50	1±0.05 [39±2]	5504972-1
MAX IL (dB)	L	PART NUMBER

THIS DRAWING IS A CONTROLLED DOCUMENT.		DWN	C.S.VASU	01 FEB 06	Tyco Electronics Corporation Harrisburg, Pa 17105-3608	
DIMENSIONS: METERS [INCHES]		CHK	J.DUNCAN	01 FEB 06		
TOLERANCES UNLESS OTHERWISE SPECIFIED:		APVD	J.DUNCAN	01 FEB 06		
0 PLC ± - 1 PLC ± - 2 PLC ± - 3 PLC ± - 4 PLC ± - ANGLES ± - FINISH -		NAME		CABLE ASSY, FIBER OPTIC, 62.5/125µm LDS,ds, AMP SC (NG) TO 2.5mm OVERMOLDED CERAMIC BAYONET, OPTIMATE		
MATERIAL	-	PRODUCT SPEC	-	APPLICATION SPEC	-	
WEIGHT		SIZE		CAGE CODE	DRAWING NO	RESTRICTED TO
-		A2		00779	C=5504972	-
CUSTOMER DRAWING			SCALE	NTS	SHEET	1 OF 1
					REV	A

5504972

X-ON Electronics

Largest Supplier of Electrical and Electronic Components

Click to view similar products for [Fibre Optic Cable Assemblies](#) category:

Click to view products by [TE Connectivity](#) manufacturer:

Other Similar products are found below :

[7-21002-9](#) [760-1518](#) [FA04390-50-M-72-LC-N](#) [MLB 501 V RED](#) [MLB 501 V YELLOW](#) [1-3636-600-5208](#) [2061529-7](#) [1-6693182-0](#)
[1754898-1](#) [21055-6](#) [FXBSCSCE2LM002](#) [3000005](#) [3-21053-2](#) [MLB 2001 V RED](#) [MLB 2001 V YELLOW](#) [MLB 501 V BLACK](#) [5492011-6](#)
[106284-7000](#) [5492011-5](#) [5492011-8](#) [5492011-9](#) [8-21007-5](#) [2123524-2](#) [2123524-1](#) [106386-4447](#) [DFSM-SCSC-2M](#) [2123909-4](#) [2123909-8](#)
[106273-0629](#) [2125046-1](#) [2821236-3](#) [2821310-2](#) [2821310-3](#) [2821313-4](#) [FX2ERLNLNSNM0.5](#) [CF-980062-074](#) [CF-901200-394](#) [CF-980062-](#)
[073](#) [CF-980062-071](#) [CF-980062-075](#) [CF-980062-072](#) [17-300310-100](#) [2821236-2](#) [2821313-1](#) [G-FC-FC-S-002.0-DX-A-18-Y](#) [G-E2A-E2A-S-](#)
[003.0-SX-A-18-Y](#) [956-322-502214](#) [FA04474](#) [1083665](#) [1111540](#)