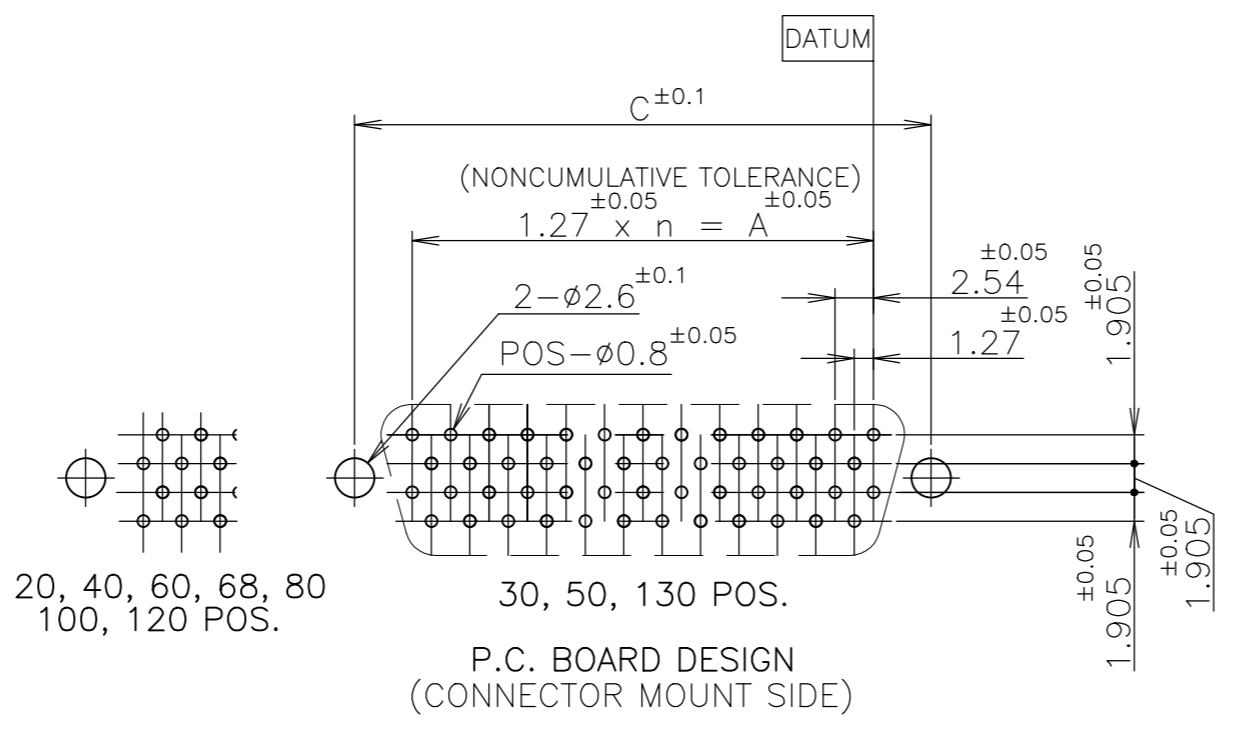
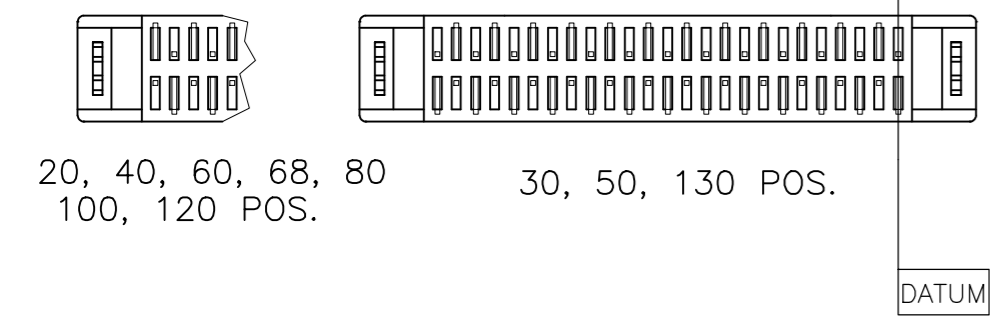
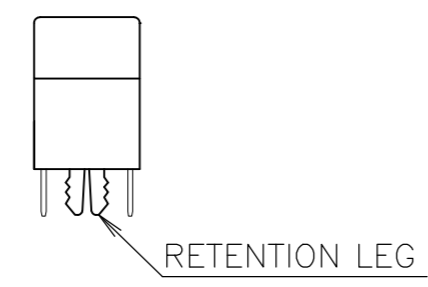
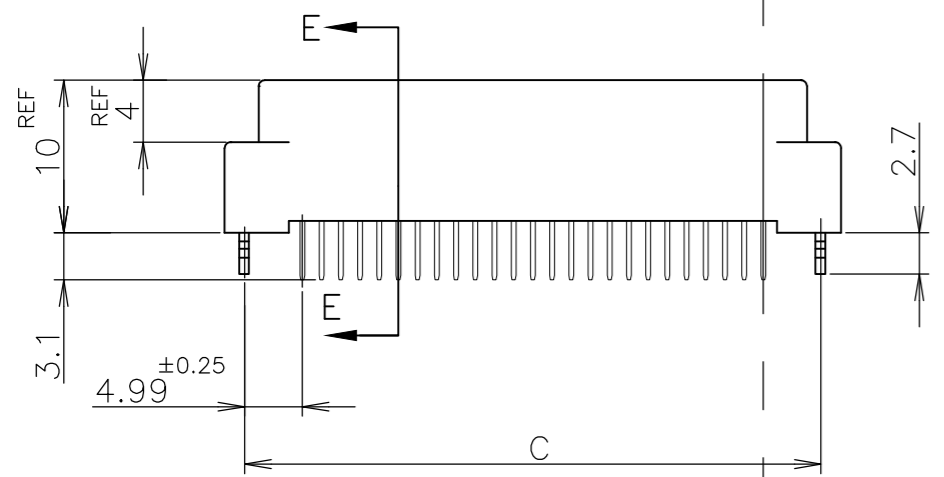
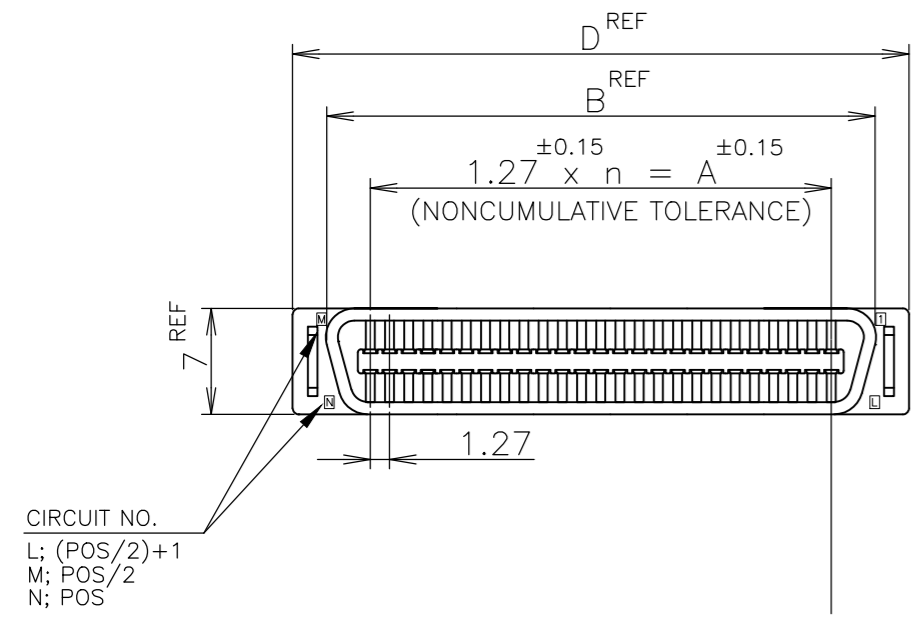
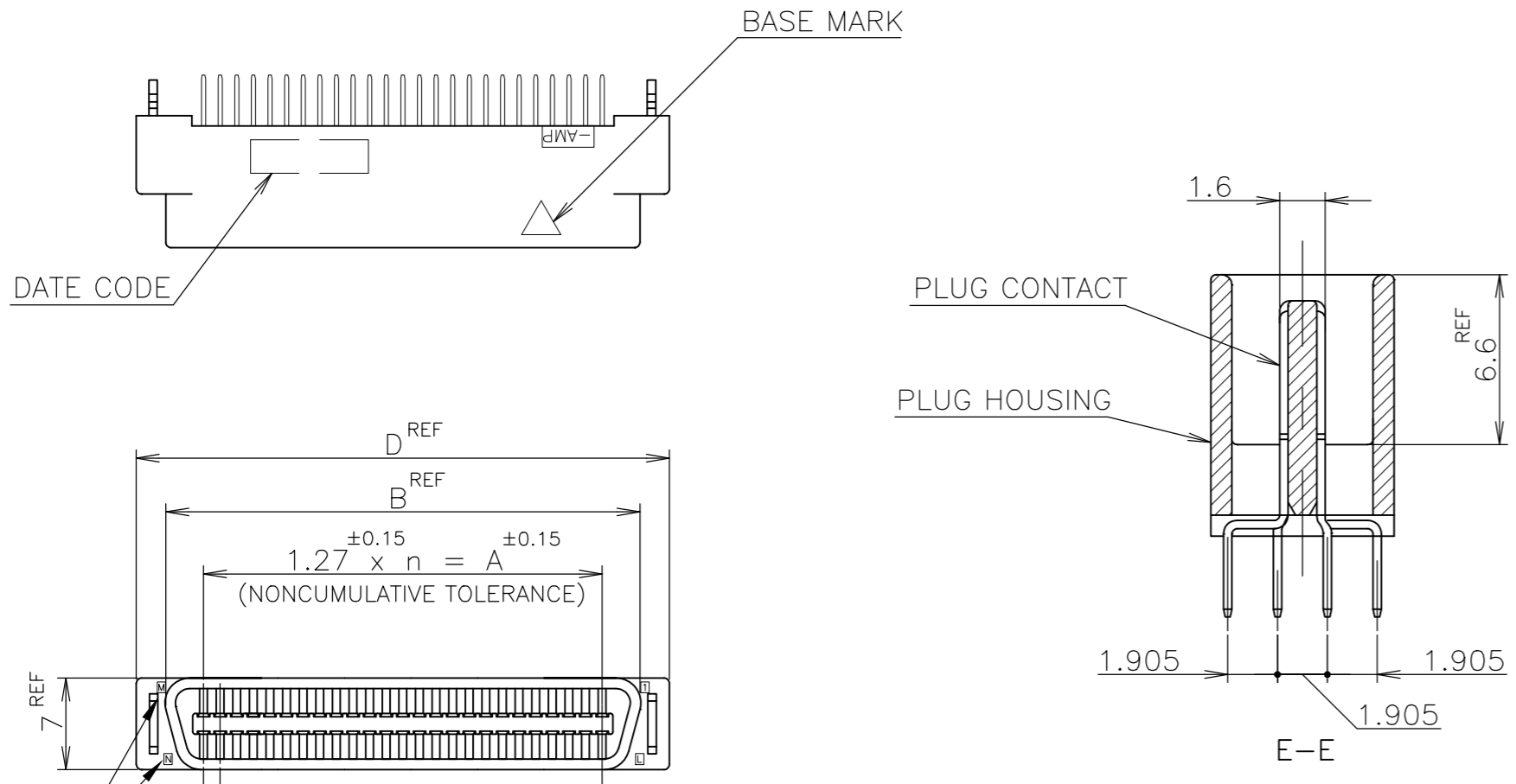


REVISIONS					
P	LTR	DESCRIPTION	DATE	DWN	APVD
C		REVISED PER ECO-17-008763	22JAN2018	RG	SH

- 1 NUMBER "n" S COUNTED FROM DATUM (CIRCUIT NO.1 IS "AMP" MARK SIDE.)
- 2 MATERIAL: HOUSING; 66 NYLON (GF) UL 94V-0, BLACK.  
: CONTACT; PHOSPHOR BRONZE.  
: RETENTION LEG; BRASS.
- 3 FINISH: CONTACT; Au AT CONTACT AREA (SEE TABLE), TIN AT TINE OVER Ni.  
RETENTION LEG; TIN UNDER Ni.



POS.	n	A	B	C	D
6-	-2	130	64	81.28	89.62
6-	-1	120	59	74.93	83.27
6-	-0	100	49	62.23	70.57
5-	-9	80	39	49.53	57.87
5-	-8	68	33	41.91	50.25
5-	-7	60	29	36.83	45.17
5-	-6	50	24	30.48	38.82
5-	-5	40	19	24.13	32.47
OBSOLETE	5-	30	14	17.78	26.12
5-	-1	20	9	11.43	19.77
OBSOLETE	4-	130	64	81.28	89.62
OBSOLETE	4-	120	59	74.93	83.27
4-	-0	100	49	62.23	70.57
3-	-9	80	39	49.53	57.87
3-	-8	68	33	41.91	50.25
3-	-7	60	29	36.83	45.17
OBSOLETE	3-	50	24	30.48	38.82
3-	-5	40	19	24.13	32.47
3-	-3	30	14	17.78	26.12
3-	-1	20	9	11.43	19.77
OBSOLETE	1-	130	64	81.28	89.62
1-	-1	120	59	74.93	83.27
1-	-0	100	49	62.23	70.57
OBSOLETE	1-	80	39	49.53	59.50
	-9	68	33	41.91	51.88
	-8	60	29	36.83	45.17
	-7	50	24	30.48	40.45
	-6	40	19	24.13	36.75
	-5	30	14	17.78	30.40
	-3	20	9	11.43	24.05
5175473-1	0.0002	20	9	11.43	24.05

LEAD FREE

GENERAL TOLERANCE	
10 ≥	±0.2
30 ≥ > 10	±0.25
100 ≥ > 30	±0.3
ANGLES	±3°

THIS DRAWING IS A CONTROLLED DOCUMENT.

DWN	19AUG2004	Julyee Zhu
CHK	19AUG2004	Steven Yao
APVD	19AUG2004	Ikuo Enomoto

NAME: AMP CHAMP .050 CONNECTOR (B-T-B) PLUG CONNECTOR (VERTICAL WITH RETENTION LEG)

PRODUCT SPEC: 108-60038

APPLICATION SPEC: CUSTOMER DRAWING

WEIGHT: 0.000000

SCALE: NTS

SHEET: 1 OF 1

REV: C

## X-ON Electronics

Largest Supplier of Electrical and Electronic Components

*Click to view similar products for [I/O Connectors](#) category:*

*Click to view products by [TE Connectivity](#) manufacturer:*

Other Similar products are found below :

[571763P](#) [58098-0628](#) [61-168618-12P](#) [D38999/20FJ29SB L/C](#) [72.250.1628.2](#) [72.250.2428.2](#) [74720-0505](#) [747680210](#) [76.350.0729.0](#) [76871-1403](#) [FCN-244F080-G/1](#) [FCN-260A9920](#) [FCN-268D024-G/2F#10X-R10](#) [MP-5T180MUNNA-005](#) [MP-5XRJ45UNNB-003](#) [PCS-E50FA](#) [PCS-XE26LKA](#) [PCS-XE26MA+](#) [PCS-XES68MS+](#) [G38A71314B](#) [91-569719-35R](#) [9776-18-6](#) [DX40-50P\(55\)](#) [1571250010](#) [157-22500-3](#) [MS3471L14-19P L/C](#) [171224-6031](#) [1888020-8](#) [91-569786-35H](#) [91-569786-35M](#) [91-644626-35P](#) [172501-4002](#) [172501-6002](#) [FCN-260C008-A/L0](#) [FCN-260C024-AL0](#) [FCN-268D008-G/1K](#) [2000314-1](#) [200331-1](#) [2007498-2](#) [PCR-E28LMDAG1+](#) [PCR-E36FC+](#) [PCS-E28FS+](#) [PCS-XE26SLFD+](#) [PCS-XE26SLFDT+](#) [G38A71214B](#) [HDRA-E68W1LFDTC-SL+](#) [HDR-E14MSG1+](#) [R88A-CNK81S](#) [CRT1-ATT02](#) [54182-0605](#)