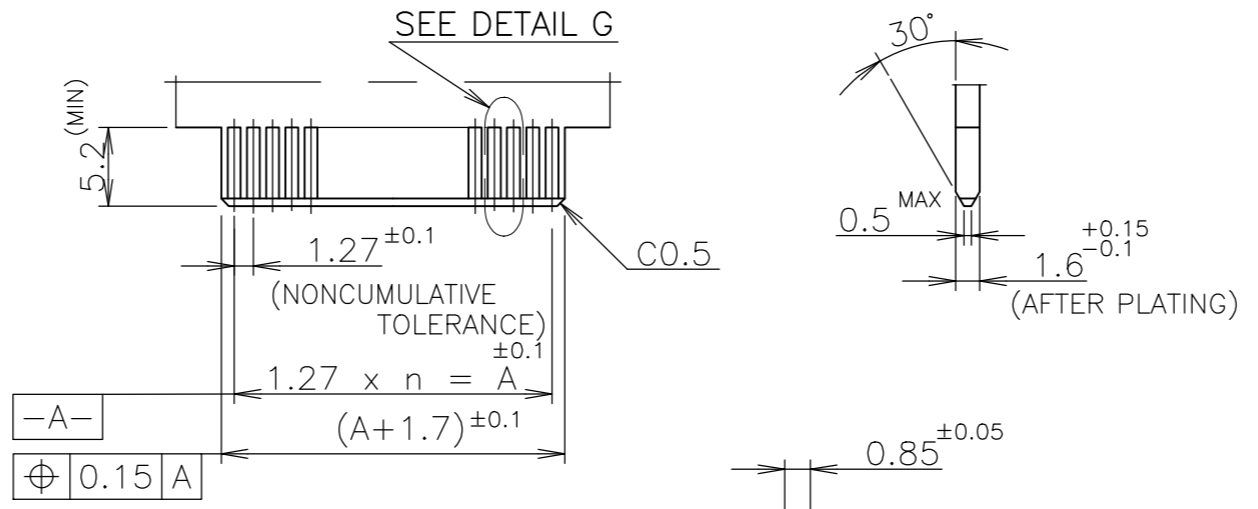
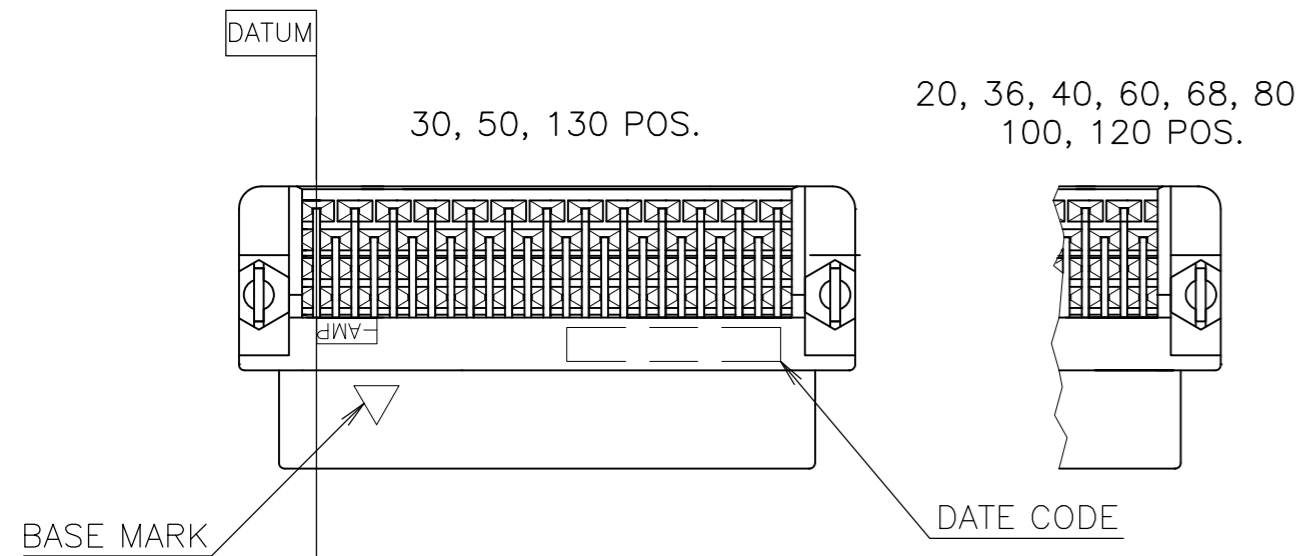
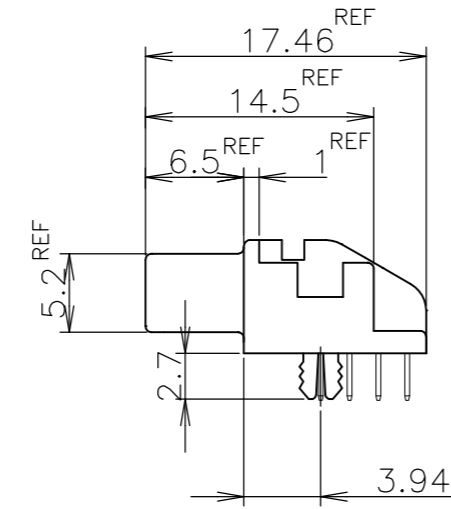
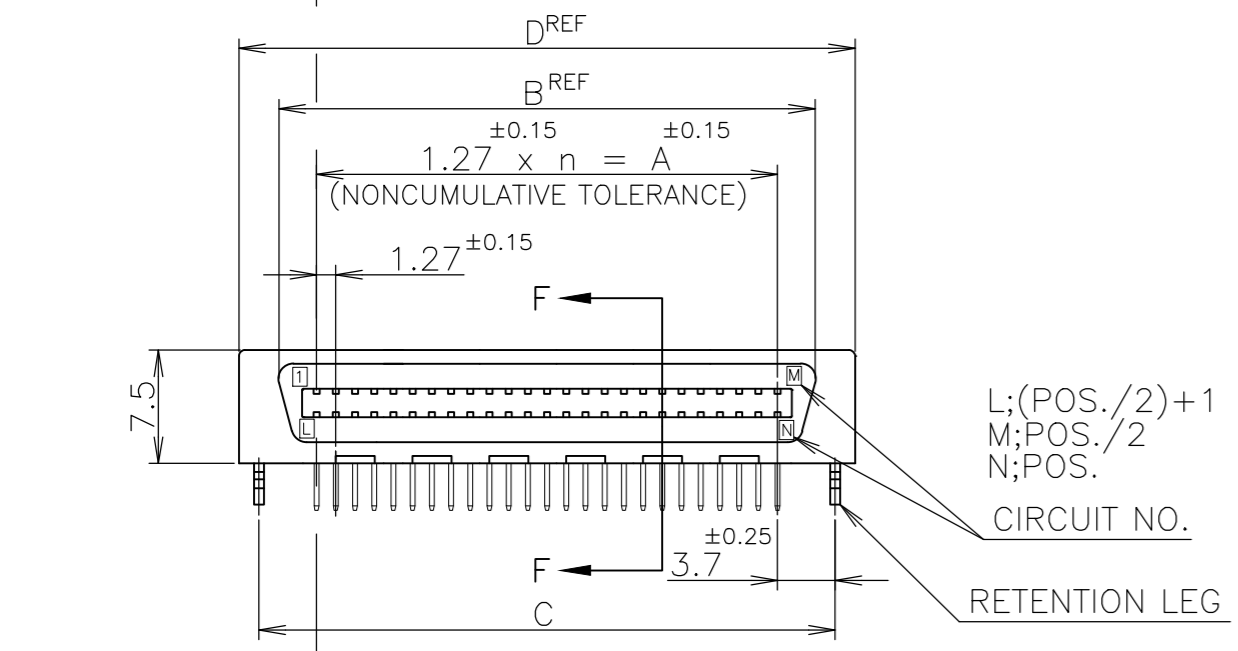


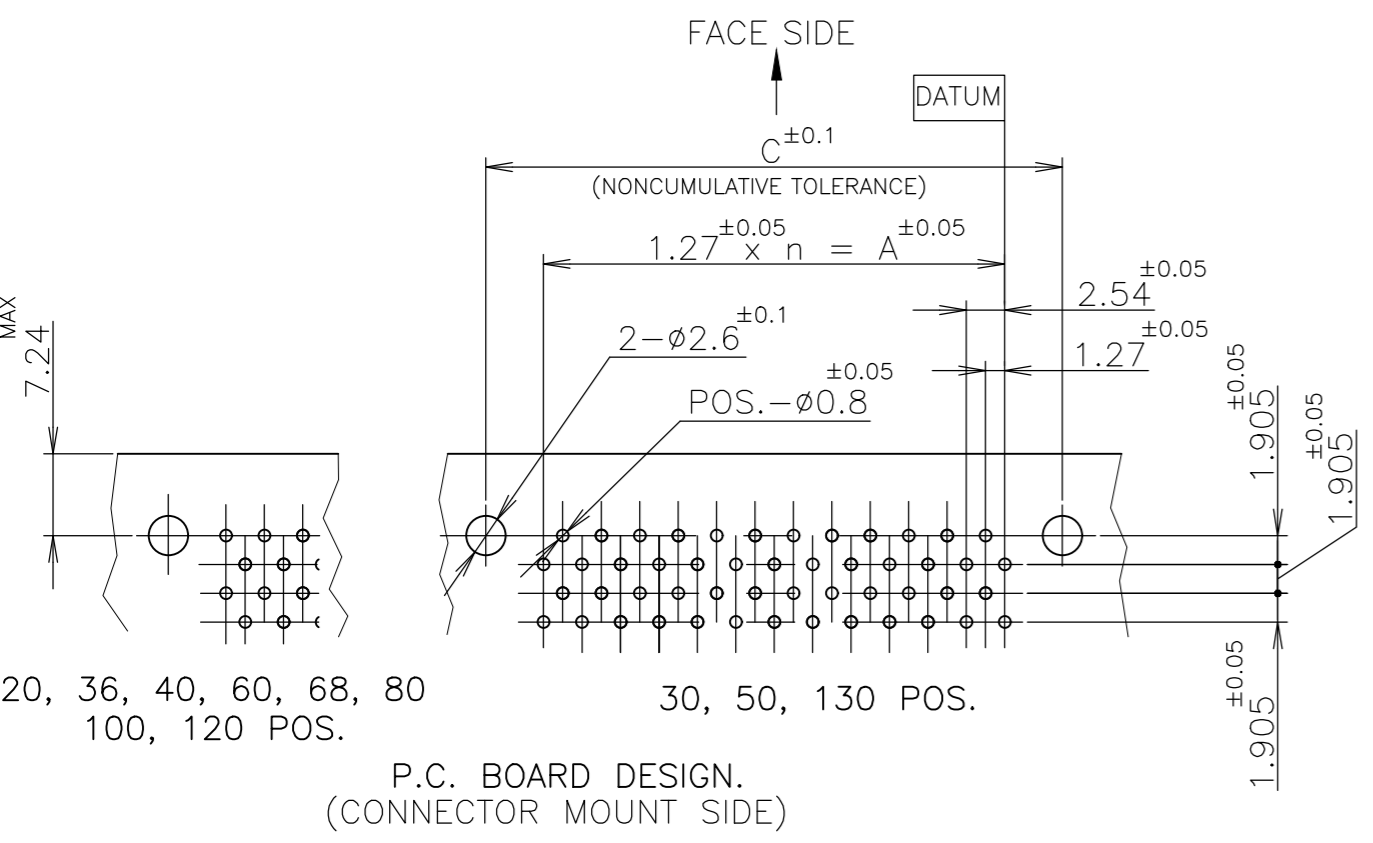
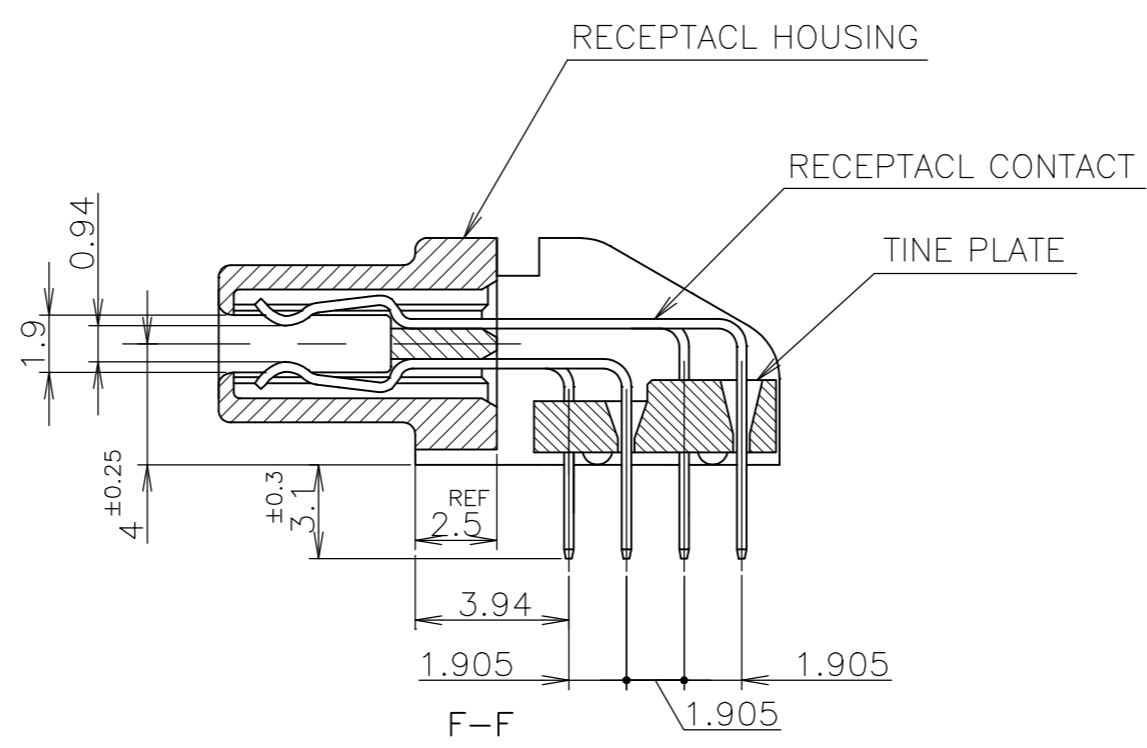
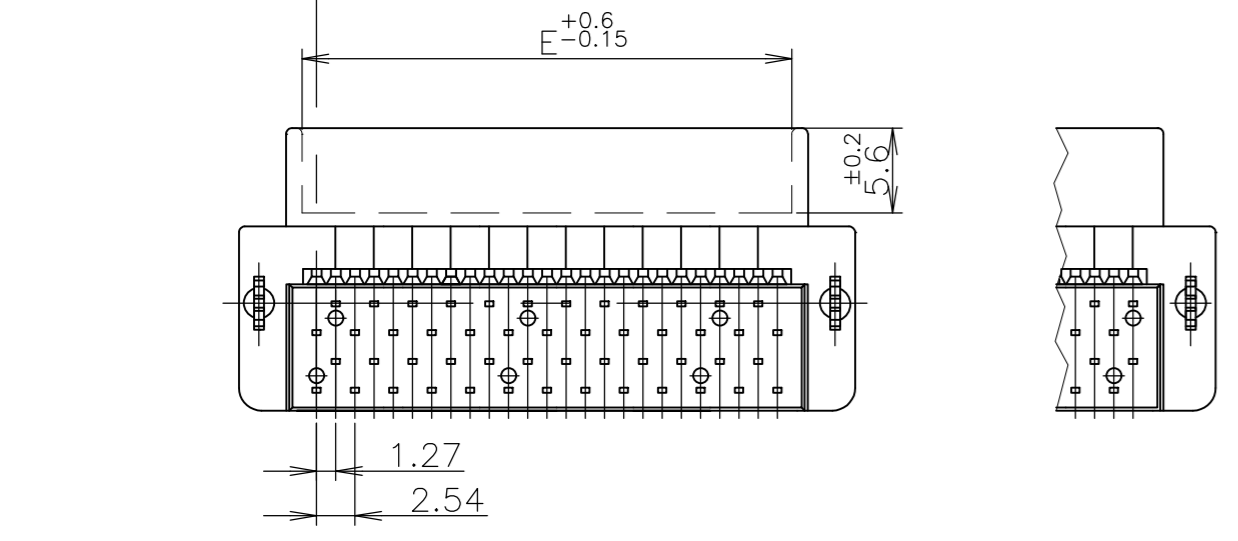
REVISIONS					
P	LTR	DESCRIPTION	DATE	DWN	APVD
S		REVISED PER ECO-17-008763	22JAN2018	RG	SH



- 1 NUMBER "n" IS COUNTED FROM DATUM (CIRCUIT NO.1 IS "AMP" MARK SIDE.)
- 2 MATERIAL: HOUSING, 66 NYLON (GF) UL 94V-0, BLACK.
: CONTACT, PHOSPHOR BRONZE.
: RETENTION LEG; BRASS.
- 3 FINISH: CONTACT; Au AT CONTACT AREA (SEE TABLE),
TIN AT TINE, OVER Ni.
RETENTION LEG; TIN UNDER Ni.
- 4 P.C. BOARD THK MUST BE 1.6 FOR CARD EDGE CONNECTOR



RECOMMENDED P.C. BOARD DIMENSIONS.



LEAD FREE

GENERAL TOLERANCE
 10 ≥ ±0.2
 30 ≥ > 10: ±0.25
 100 ≥ > 30: ±0.3
 ANGLES: ±3°

POS.	n	A	B	C	D	E					
OBSOLETE	6-	2			130	64	81.28	86.82	88.68	92.48	83.18
OBSOLETE	6-	-1			120	59	74.93	80.47	82.33	86.13	76.83
	6-	-0			100	49	62.23	67.77	69.63	73.43	64.13
	5-	-9			80	39	49.53	55.07	56.93	60.73	51.43
OBSOLETE	5-	-8			68	33	41.91	47.45	49.31	53.11	43.81
	5-	-7			60	29	36.83	42.37	44.23	48.03	38.73
	5-	-6			50	24	30.48	36.02	37.88	41.68	32.38
	5-	-5			40	19	24.13	29.67	31.53	35.33	26.03
OBSOLETE	5-	-3			30	14	17.78	23.32	25.18	28.98	19.68
	5-	-1	0.00076		20	9	11.43	16.97	18.83	22.63	13.33
OBSOLETE	4-	-2			130	64	81.28	86.82	88.68	92.48	83.18
OBSOLETE	4-	-1			120	59	74.93	80.47	82.33	86.13	76.83
	4-	-0			100	49	62.23	67.77	69.63	73.43	64.13
OBSOLETE	3-	-9			80	39	49.53	55.07	56.93	60.73	51.43
	3-	-8			68	33	41.91	47.45	49.31	53.11	43.81
	3-	-7			60	29	36.83	42.37	44.23	48.03	38.73
	3-	-6			50	24	30.48	36.02	37.88	41.68	32.38
	3-	-5			40	19	24.13	29.67	31.53	35.33	26.03
	3-	-3			30	14	17.78	23.32	25.18	28.98	19.68
	3-	-1	0.0005		20	9	11.43	16.97	18.83	22.63	13.33
OBSOLETE	1-	-2			130	64	81.28	86.82	88.68	92.48	83.18
OBSOLETE	1-	-1			120	59	74.93	80.47	82.33	86.13	76.83
	1-	-0			100	49	62.23	67.77	69.63	73.43	64.13
OBSOLETE		-9			80	39	49.53	55.07	56.93	60.73	51.43
OBSOLETE		-8			68	33	41.91	47.45	49.31	53.11	43.81
OBSOLETE		-7			60	29	36.83	42.37	44.23	48.03	38.73
		-6			50	24	30.48	36.02	37.88	41.68	32.38
		-5			40	19	24.13	29.67	31.53	35.33	26.03
OBSOLETE		-4			36	17	21.59	27.13	28.99	32.79	23.49
OBSOLETE		-3			30	14	17.78	23.32	25.18	28.98	19.68
					20	9	11.43	16.97	18.83	22.63	13.33
					5175474-1	0.0002					

THIS DRAWING IS A CONTROLLED DOCUMENT.

DIMENSIONS: mm

TOLERANCES UNLESS OTHERWISE SPECIFIED:
 0 PLC ±
 1 PLC ±
 2 PLC ±
 3 PLC ±
 4 PLC ±
 ANGLES ±

MATERIAL: 2
 FINISH: 3

GENERAL TOLERANCE: 130CT88

DWN: S. ISHIKAWA
 CHK: Steven Yao
 APVD: Julyee Zhu
 PRODUCT SPEC: 108-60038
 APPLICATION SPEC

WEIGHT: 0.000000

CUSTOMER DRAWING

TE Connectivity Ltd.
 CHAMP .050 CONNECTOR(B-T-B)
 RECEPTACLE CONNECTOR
 HORIZONTAL WITH RETENTION LEG

SIZE: A2
 CAGE CODE: 00779
 DRAWING NO: C=5175474

SCALE: NTS
 SHEET: 1 of 1
 REV: S

X-ON Electronics

Largest Supplier of Electrical and Electronic Components

Click to view similar products for [Board to Board & Mezzanine Connectors](#) category:

Click to view products by [TE Connectivity](#) manufacturer:

Other Similar products are found below :

[589158040000018](#) [MDF7C-18P-2.54DSA\(55\)](#) [FCN-230C068-11](#) [FCN-268F012-G/BD](#) [FCN-268F036-G/BD](#) [FCN-268M012-G/0D](#) [FCN-268M024-G/1D](#) [FCN-723J004/1](#) [MIS-048-01-F-D-DP-K](#) [832-10-034-10-001000](#) [FX4C-80S-1.27DSA](#) [FCN-214Q030-G/0](#) [FCN-234P048-G/0](#) [FCN-235D050-G/C](#) [210-93-314-41-105000](#) [2-22603-0](#) [MDF7-40DP-2.54DSA\(55\)](#) [AXG720047](#) [5031084030](#) [MIT-114-03-F-D-K](#) [55323-1519](#) [DF33-2P-3.3DSA\(24\)](#) [YFT-20-05-H-03-SB-K](#) [503308-3040](#) [026-6203-PDB](#) [027-6203-PDB](#) [069159702701000](#) [10123981-102LF](#) [101A10019X](#) [55650-0588-C](#) [68682-310LF](#) [68684-306](#) [75140-7012](#) [87471-650](#) [194261-1](#) [FCN-268F024-G0D](#) [10124054-515LF](#) [68685-603](#) [8-1616154-3](#) [MIS-019-01-F-D](#) [FCN-268M024-G/3D](#) [20021832-06016C1LF](#) [KX15-20KLDL-E1000E](#) [MDF7-16DP-2.54DSA\(55\)](#) [AXE810124](#) [FCN-214J100-G/0](#) [FCN-230C068-E/S](#) [AXE812124](#) [AXE816124](#) [AXE720127](#)