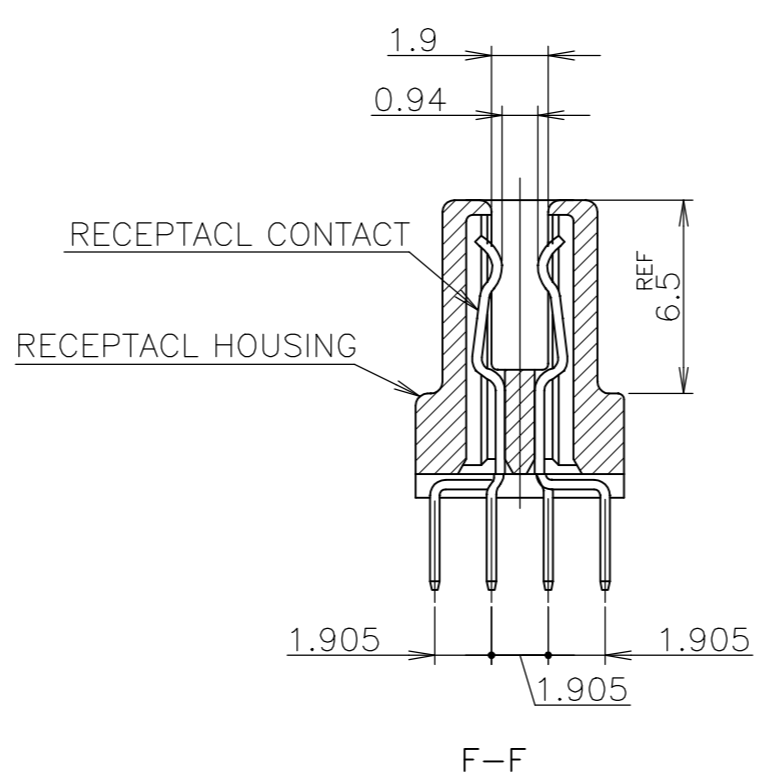
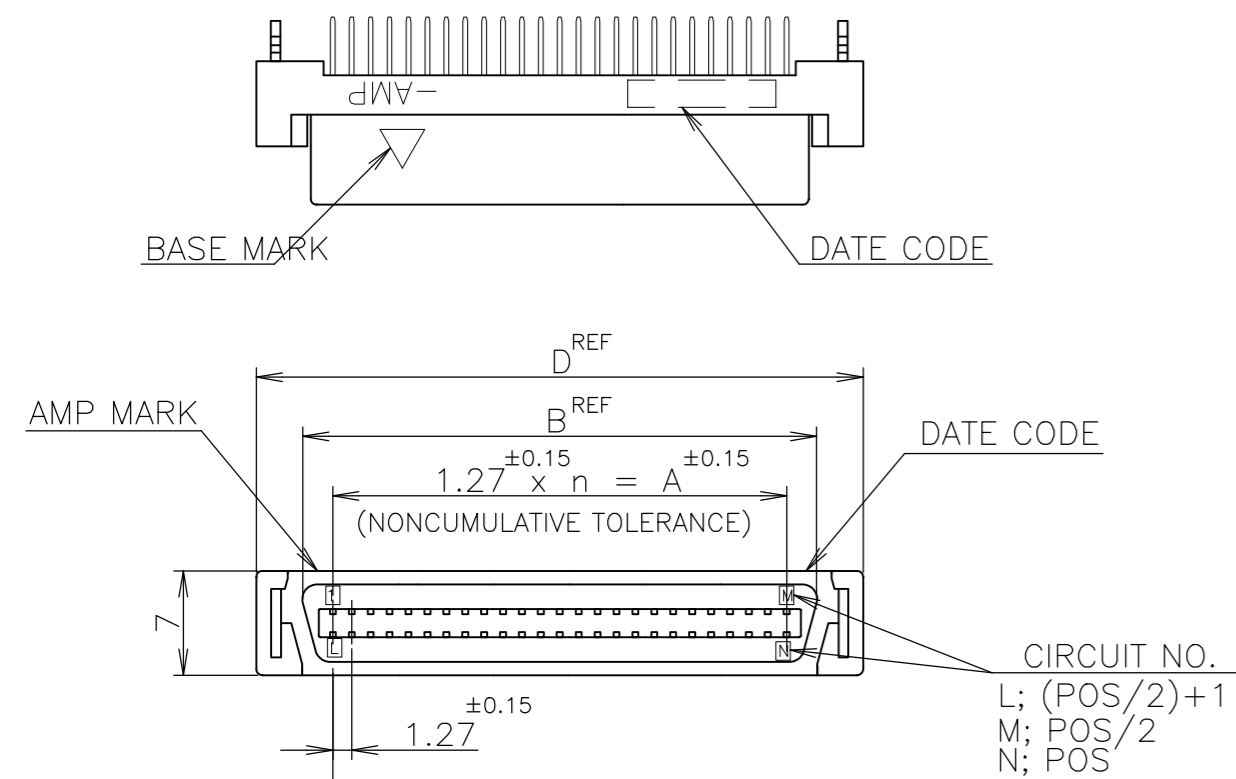
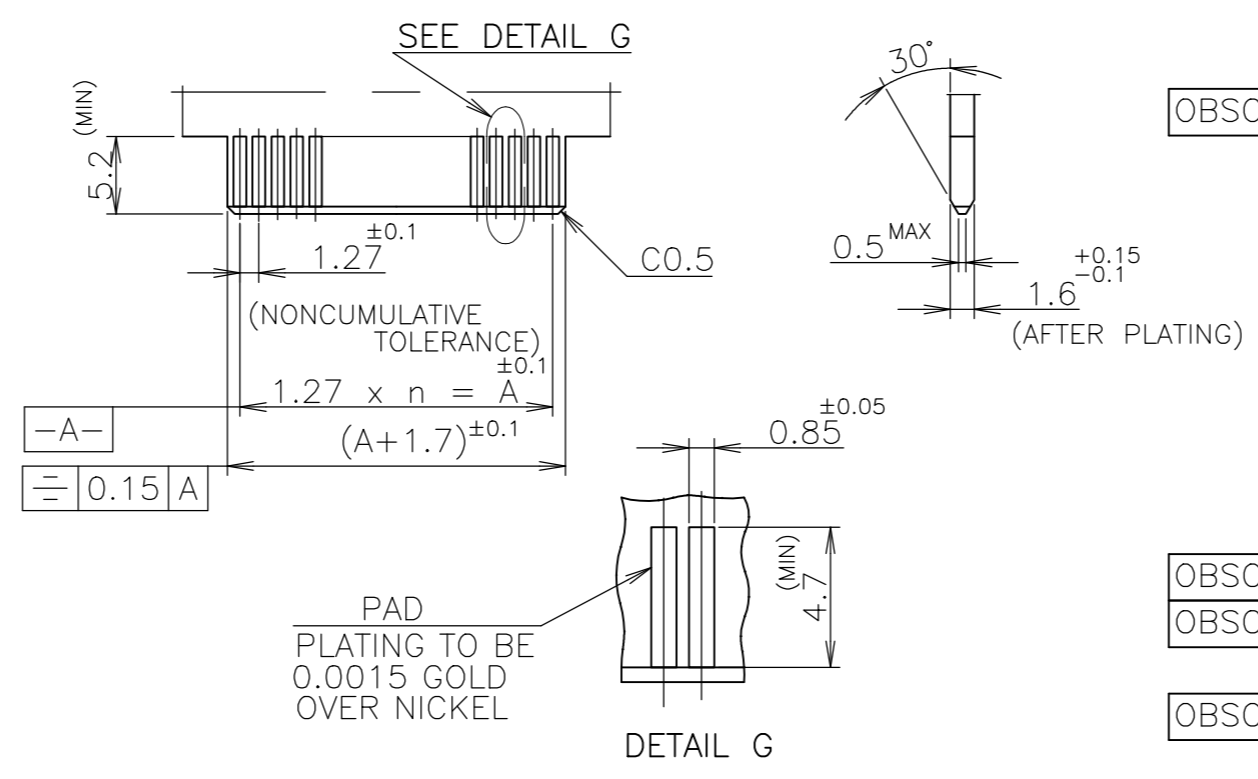
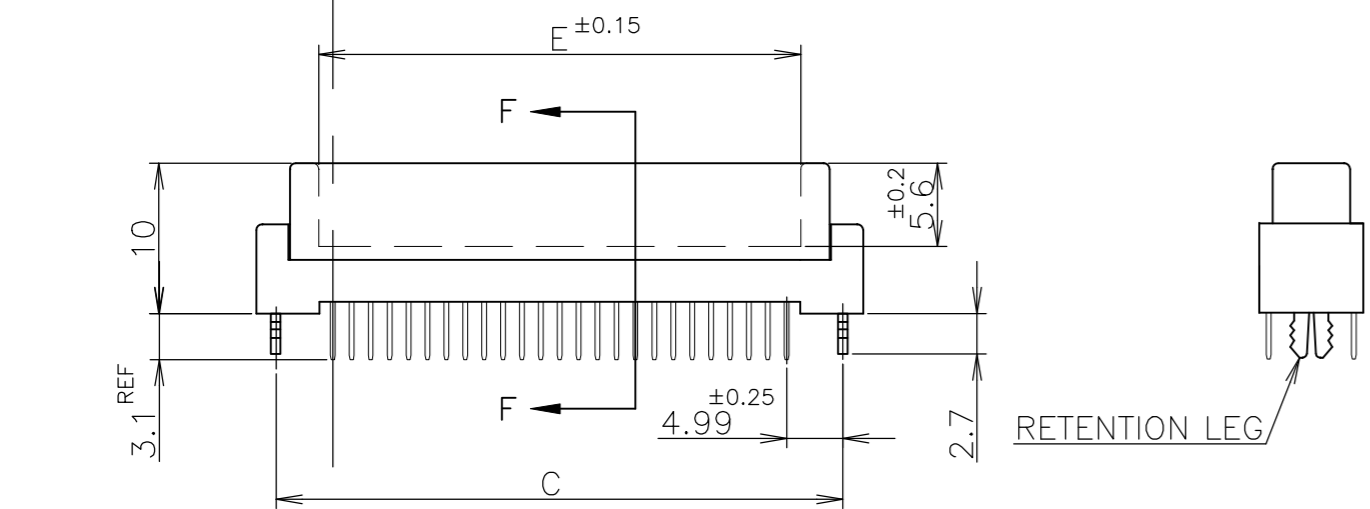


REVISIONS				
P	LTR	DESCRIPTION	DATE	DWN / APVD
C		REVISED PER ECO-17-008763	22JAN2018	RG / SH

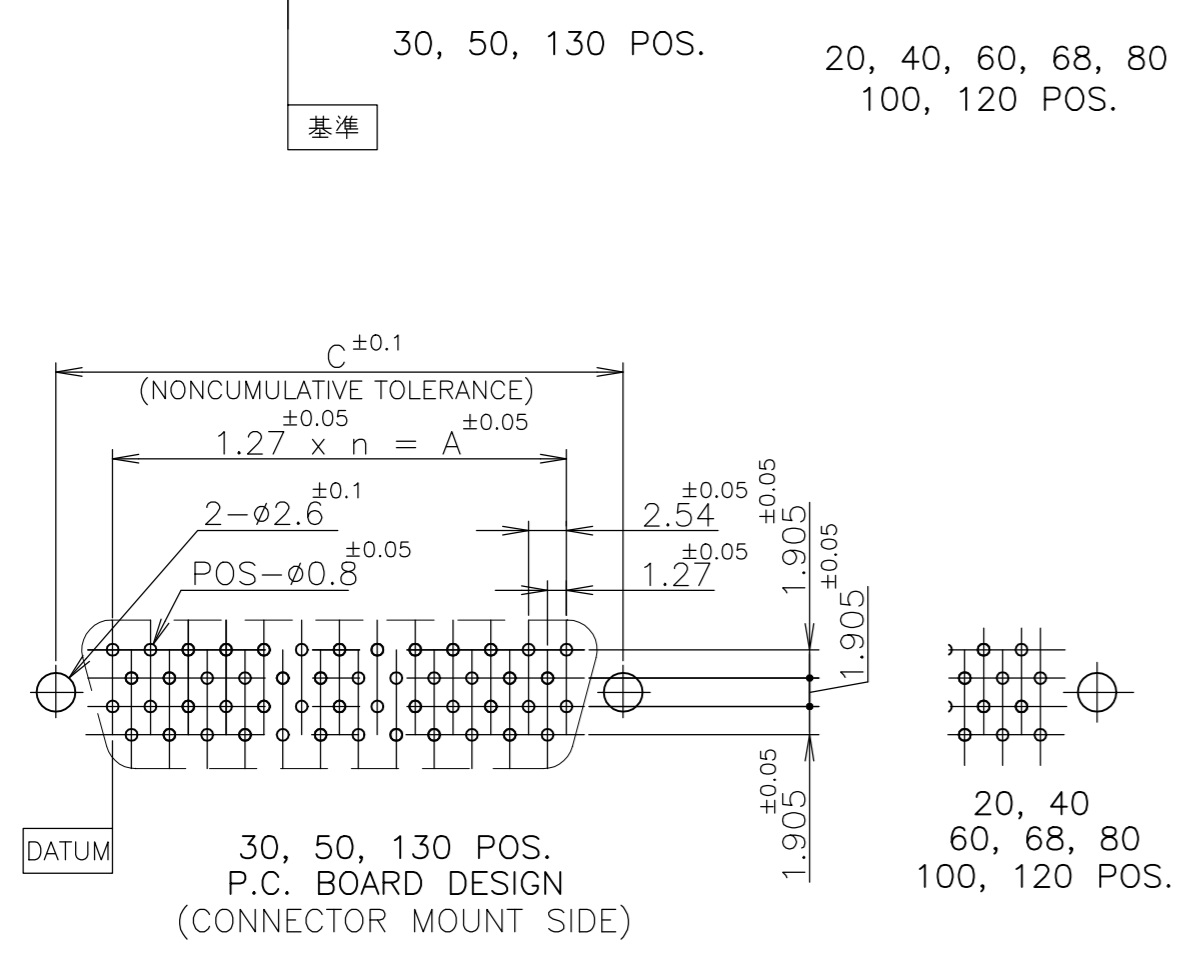


- 1 NUMBER "n" IS COUNTED FROM DATUM (CIRCUIT NO.1 IS "AMP" MARK SIDE.)
- 2 MATERIAL: HOUSING, 66 NYLON (GF) UL 94V-0, BLACK.
: CONTACT, PHOSPHOR BRONZE.
: RETENTION LEG; BRASS.
- 3 FINISH: CONTACT; Au AT CONTACT AREA (SEE TABLE),
TIN AT TINE, OVER Ni.
RETENTION LEG; TIN UNDER Ni.
- 4 P.C. BOARD THK MUST BE 1.6 ±0.15 FOR CARD EDGE CONNECTOR



RECOMMENDED P.C. BOARD DIMENSIONS. 4

OBSOLETE	6-	-2		130	64	81.28	86.82	91.25	93.90	83.18
	6-	-1		120	59	74.93	80.47	84.90	87.55	76.83
OBSOLETE	6-	-0		100	49	62.23	67.77	72.20	74.85	64.13
OBSOLETE	5-	-9		80	39	49.53	55.07	59.50	62.15	51.43
	5-	-8		68	33	41.91	47.45	51.88	54.53	43.81
	5-	-7		60	29	36.83	42.37	46.80	49.45	38.73
	5-	-6		50	24	30.48	36.02	40.45	43.10	32.38
	5-	-5		40	19	24.13	29.67	34.10	36.75	26.03
	5-	-3		30	14	17.78	23.32	27.75	30.40	19.68
	5-	-1	0.00076	20	9	11.43	16.97	21.40	24.05	13.33
OBSOLETE	4-	-2		130	64	81.28	86.82	91.25	93.90	83.18
	4-	-1		120	59	74.93	80.47	84.90	87.55	76.83
	4-	-0		100	49	62.23	67.77	72.20	74.85	64.13
	3-	-9		80	39	49.53	55.07	59.50	62.15	51.43
	3-	-8		68	33	41.91	47.45	51.88	54.53	43.81
	3-	-7		60	29	36.83	42.37	46.80	49.45	38.73
	3-	-6		50	24	30.48	36.02	40.45	43.10	32.38
	3-	-5		40	19	24.13	29.67	34.10	36.75	26.03
	3-	-3		30	14	17.78	23.32	27.75	30.40	19.68
	3-	-1	0.0005	20	9	11.43	16.97	21.40	24.05	13.33
OBSOLETE	1-	-2		130	64	81.28	86.82	91.25	93.90	83.18
OBSOLETE	1-	-1		120	59	74.93	80.47	84.90	87.55	76.83
	1-	-0		100	49	62.23	67.77	72.20	74.85	64.13
OBSOLETE		-9		80	39	49.53	55.07	59.50	62.15	51.43
		-8		68	33	41.91	47.45	51.88	54.53	43.81
		-7		60	29	36.83	42.37	46.80	49.45	38.73
		-6		50	24	30.48	36.02	40.45	43.10	32.38
		-5		40	19	24.13	29.67	34.10	36.75	26.03
		-3		30	14	17.78	23.32	27.75	30.40	19.68
		-1	0.0002	20	9	11.43	16.97	21.40	24.05	13.33
	PART NO.	Au PLATE	POS.	n	A	B	C	D	E	



THIS DRAWING IS A CONTROLLED DOCUMENT.

DIMENSIONS: mm	TOLERANCES UNLESS OTHERWISE SPECIFIED:	DWN: Julyee Zhu 20AUG2004	CHK: Steven Yao 20AUG2004	APVD: Ikuo Enomoto 20AUG2004	NAME: Steven Yao
0 PLC ±	1 PLC ±	2 PLC ±	3 PLC ±	4 PLC ±	ANGLES ±
MATERIAL: 4	FINISH: 3	PRODUCT SPEC: 108-60038	APPLICATION SPEC:	WEIGHT: 0.000000	SIZE: A2
CUSTOMER DRAWING		SCALE: NTS		SHEET: 1 of 1	

TE Connectivity Ltd.
AMP CHAMP .050 CONNECTOR(B-T-B)
RECEPTACLE CONNECTOR
VERTICAL WITH RETENTION LEG
CAGE CODE: 00779
DRAWING NO: 5175475

LEAD FREE

GENERAL TOLERANCE
10 ≥ : ±0.2
30 > 10: ±0.25
100 ≥ > 30: ±0.3
ANGLES: ±3°

X-ON Electronics

Largest Supplier of Electrical and Electronic Components

Click to view similar products for [Board to Board & Mezzanine Connectors](#) category:

Click to view products by [TE Connectivity](#) manufacturer:

Other Similar products are found below :

[589158040000018](#) [MDF7C-18P-2.54DSA\(55\)](#) [FCN-230C068-11](#) [FCN-268F012-G/BD](#) [FCN-268F036-G/BD](#) [FCN-268M012-G/0D](#) [FCN-268M024-G/1D](#) [FCN-723J004/1](#) [MIS-048-01-F-D-DP-K](#) [832-10-034-10-001000](#) [FX4C-80S-1.27DSA](#) [FCN-214Q030-G/0](#) [FCN-234P048-G/0](#) [FCN-235D050-G/C](#) [210-93-314-41-105000](#) [2-22603-0](#) [MDF7-40DP-2.54DSA\(55\)](#) [AXG720047](#) [5031084030](#) [MIT-114-03-F-D-K](#) [55323-1519](#) [DF33-2P-3.3DSA\(24\)](#) [YFT-20-05-H-03-SB-K](#) [503308-3040](#) [026-6203-PDB](#) [027-6203-PDB](#) [069159702701000](#) [10123981-102LF](#) [101A10019X](#) [55650-0588-C](#) [68682-310LF](#) [68684-306](#) [75140-7012](#) [87471-650](#) [194261-1](#) [FCN-268F024-G0D](#) [10124054-515LF](#) [68685-603](#) [8-1616154-3](#) [MIS-019-01-F-D](#) [FCN-268M024-G/3D](#) [20021832-06016C1LF](#) [KX15-20KLDL-E1000E](#) [MDF7-16DP-2.54DSA\(55\)](#) [AXE810124](#) [FCN-214J100-G/0](#) [FCN-230C068-E/S](#) [AXE812124](#) [AXE816124](#) [AXE720127](#)