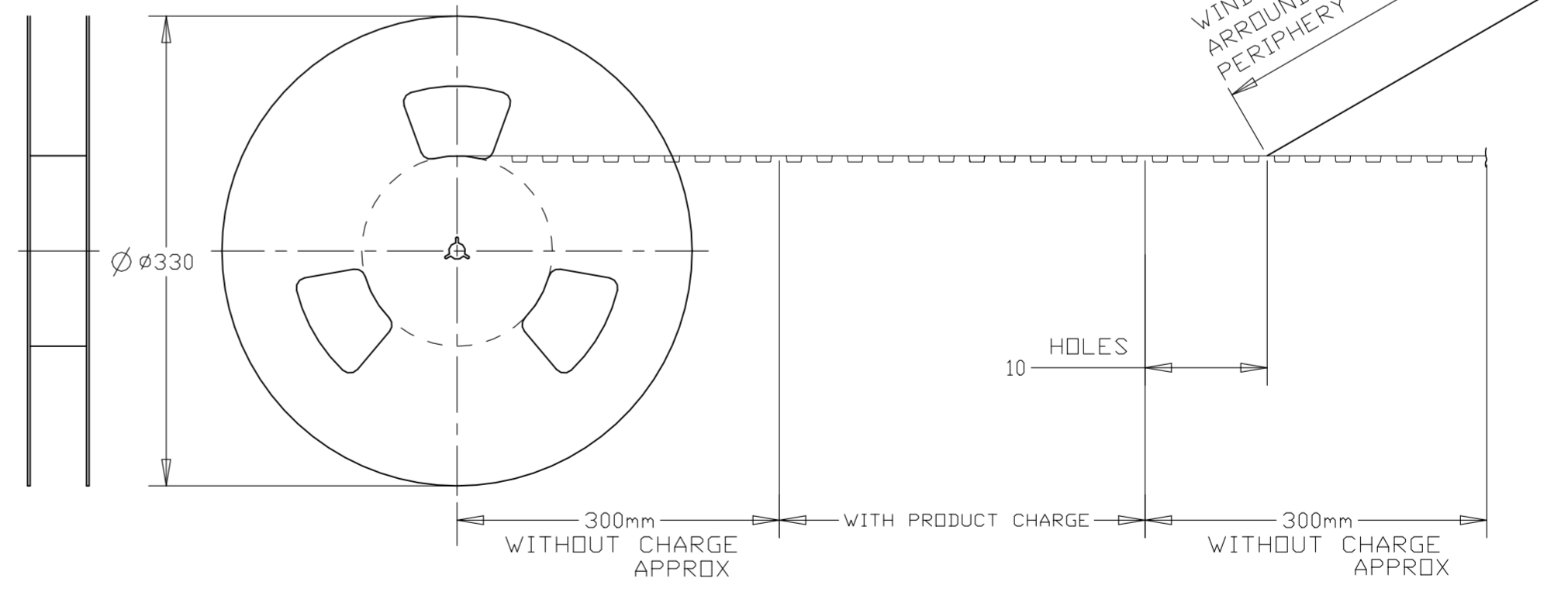
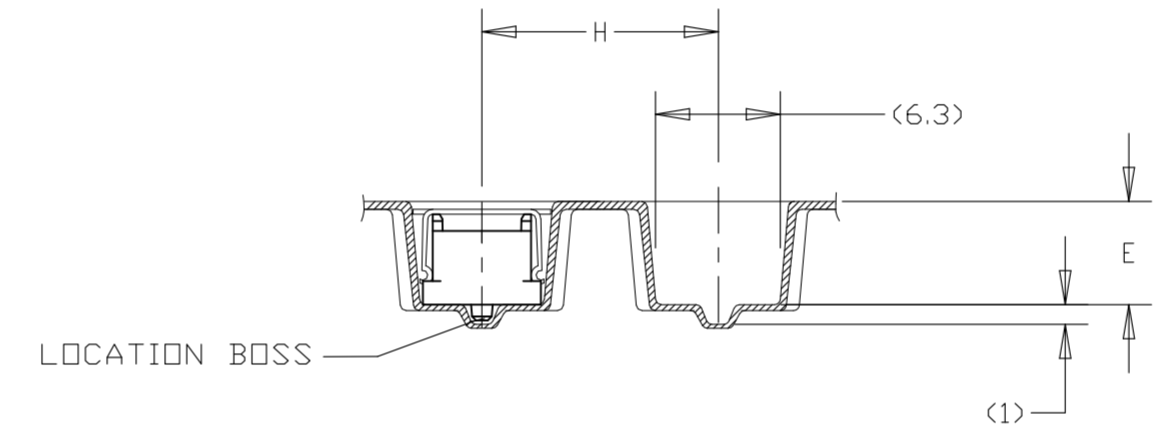
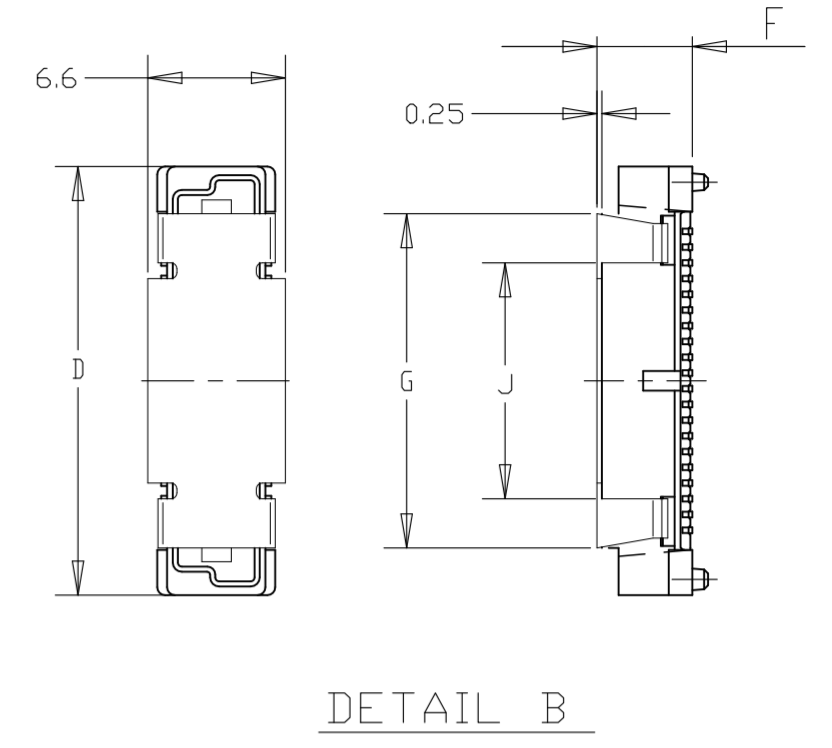
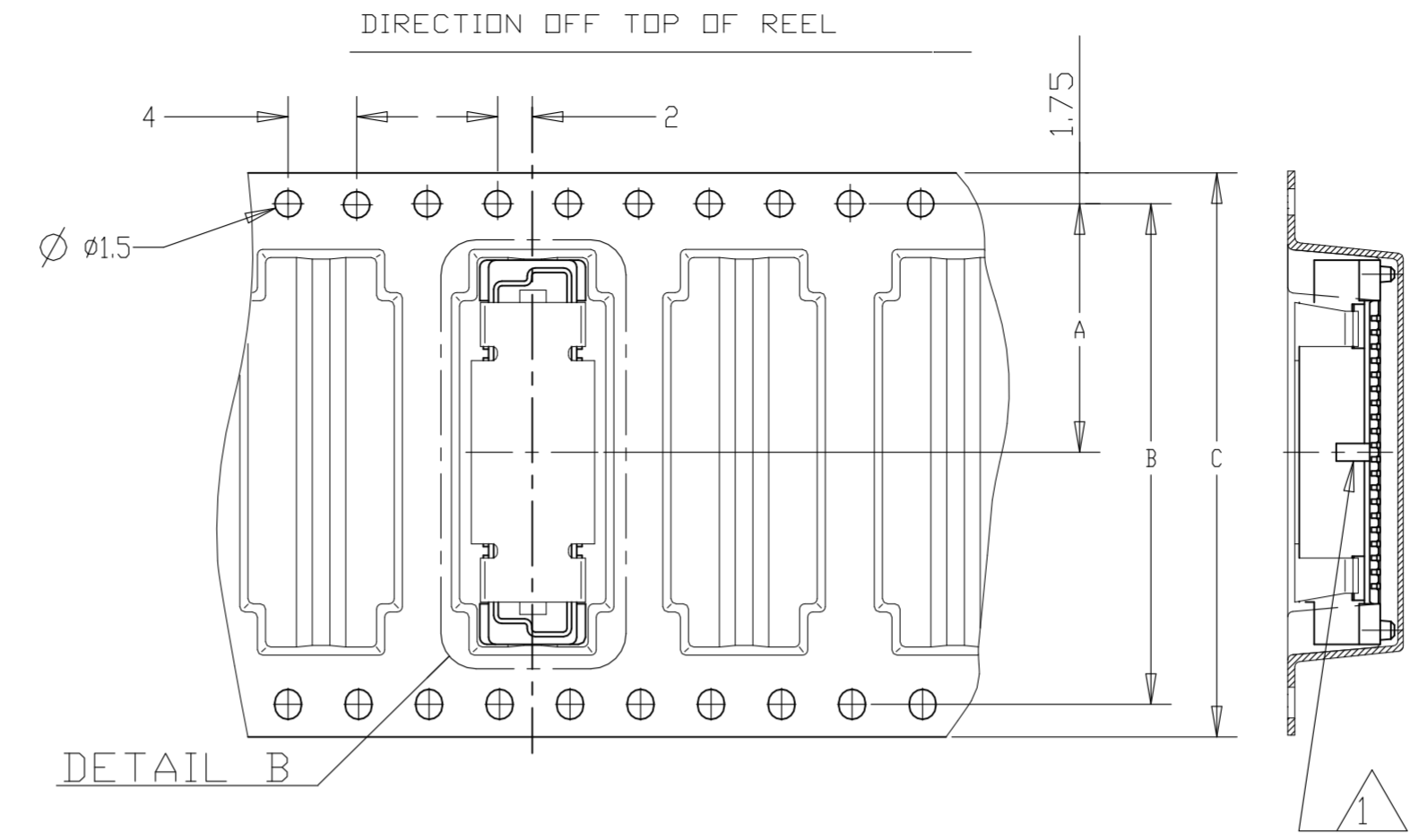


- Notes:
- 1 CUTOUT FEATURE AVAILABLE ONLY ON 5H ASSY P/N -1 (40P) AND -2 (60P).
 - 2 0.00038 MIN GOLD PLATING (15u INCHES GOLD PLATING)
 - 3 CONNECTOR DIMENSIONS REFERENCED FROM DRAWING WHICH CONN. P/Ns BASED
 - 4 CONNECTOR WITH BLACK HOUSING
 - 5 MATERIAL: HOUSING: L.C.P UL 94-V0. COLOR: NATURAL EXCEPT FOR NOTE 4 CONTACT: BRASS

LOW HALOGEN

STEEL COVER

| REVISIONS | | | | | |
|-----------|-----|---------------------------|-----------|-----|------|
| P | LTR | DESCRIPTION | DATE | DWN | APVD |
| | F8 | REVISED PER ECN-22-162708 | 02JUL2022 | A.L | H.L |



| REMARKS | QTY | HEIGHT TYPE | | | | | | | | | | | POS | SALEABLE PART NO. | | | | | | | | | | | | |
|--|-----|-------------|----|---|---|---|---|---|---|---|---|---|-----|-------------------|---|--|--|--|--|--|--|--|--|--|--|--|
| | | | Y | X | J | H | G | F | E | D | C | B | | | A | | | | | | | | | | | |
| 0.00076 MIN GOLD PLATING (30u INCHES GOLD PLATING) | | | | | | | | | | | | | | | | | | | | | | | | | | |
| | | 450 | | | | | | | | | | | | | | | | | | | | | | | | |
| | | 700 | 7H | | | | | | | | | | | | | | | | | | | | | | | |
| | | 550 | | | | | | | | | | | | | | | | | | | | | | | | |
| | | 800 | 6H | | | | | | | | | | | | | | | | | | | | | | | |
| | | 650 | | | | | | | | | | | | | | | | | | | | | | | | |
| | | 900 | 5H | | | | | | | | | | | | | | | | | | | | | | | |
| | | 550 | 6H | | | | | | | | | | | | | | | | | | | | | | | |
| | | 800 | 6H | | | | | | | | | | | | | | | | | | | | | | | |
| | | 900 | 5H | | | | | | | | | | | | | | | | | | | | | | | |
| | | 450 | 7H | | | | | | | | | | | | | | | | | | | | | | | |
| | | 400 | | | | | | | | | | | | | | | | | | | | | | | | |
| | | 600 | 8H | | | | | | | | | | | | | | | | | | | | | | | |
| | | 450 | | | | | | | | | | | | | | | | | | | | | | | | |
| | | 700 | | | | | | | | | | | | | | | | | | | | | | | | |
| | | 500 | 7H | | | | | | | | | | | | | | | | | | | | | | | |
| | | 550 | | | | | | | | | | | | | | | | | | | | | | | | |
| | | 800 | 6H | | | | | | | | | | | | | | | | | | | | | | | |
| | | 900 | 5H | | | | | | | | | | | | | | | | | | | | | | | |

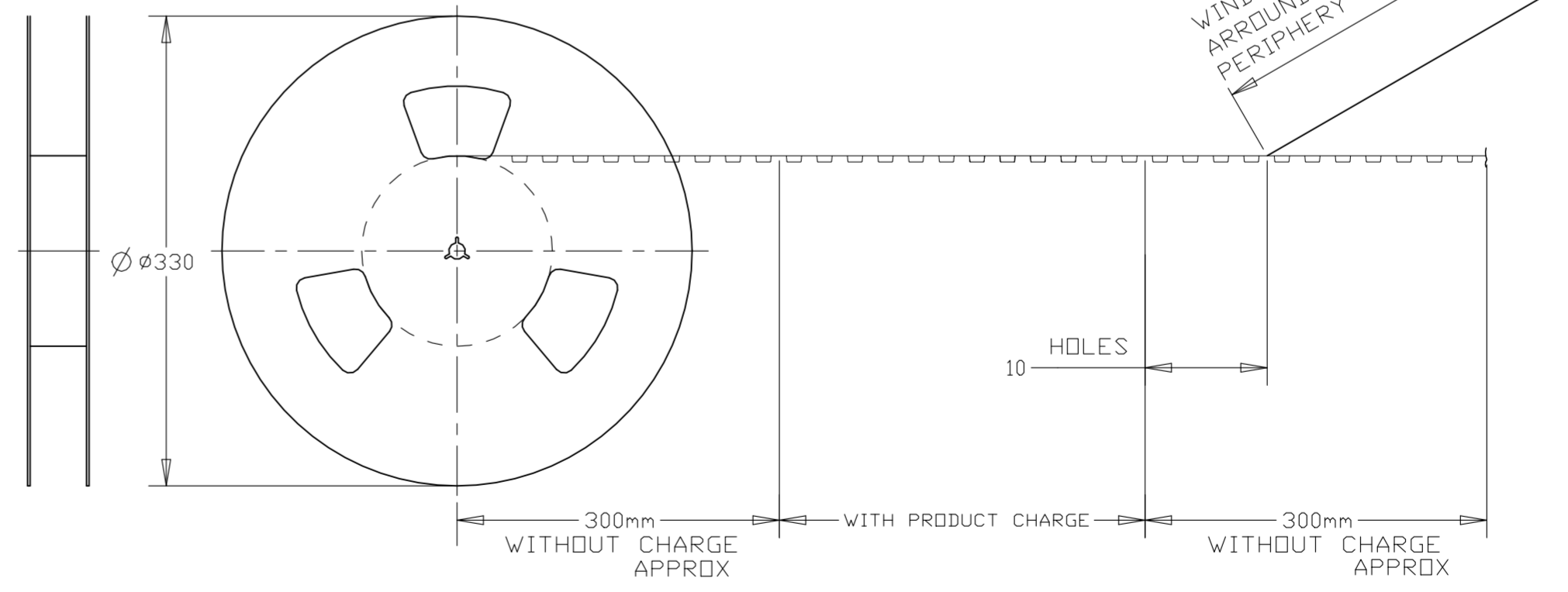
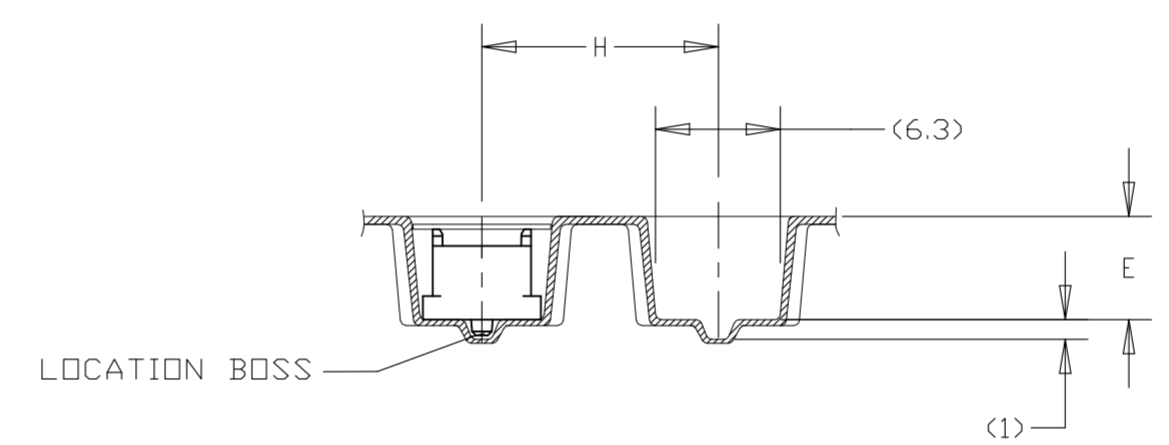
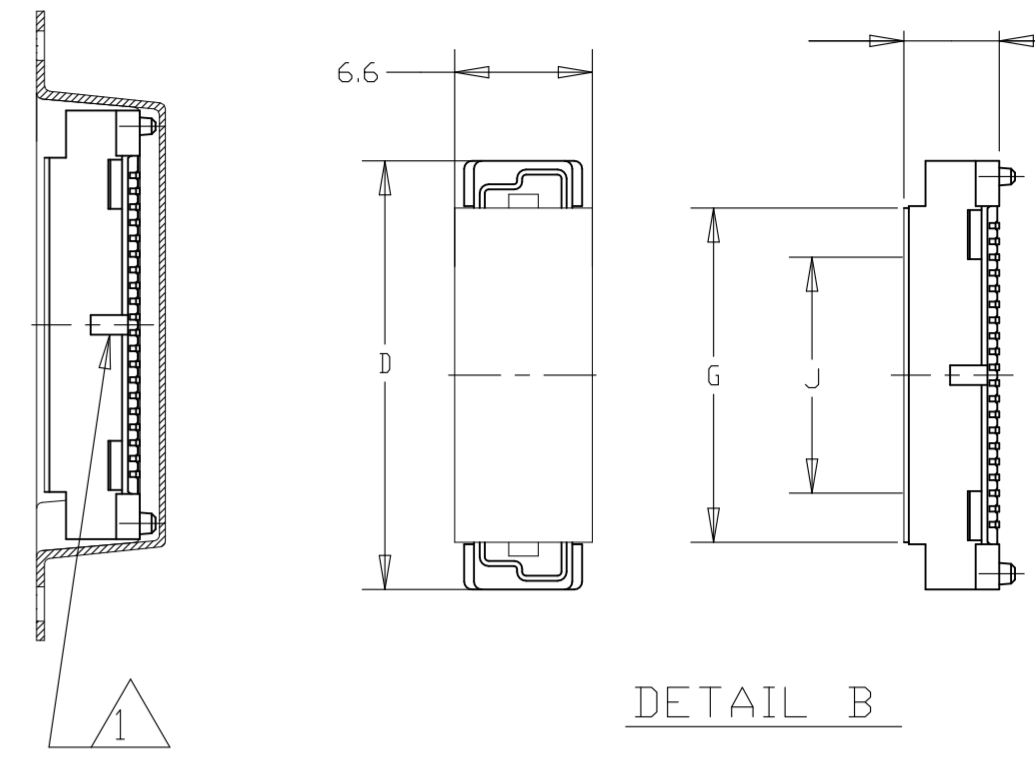
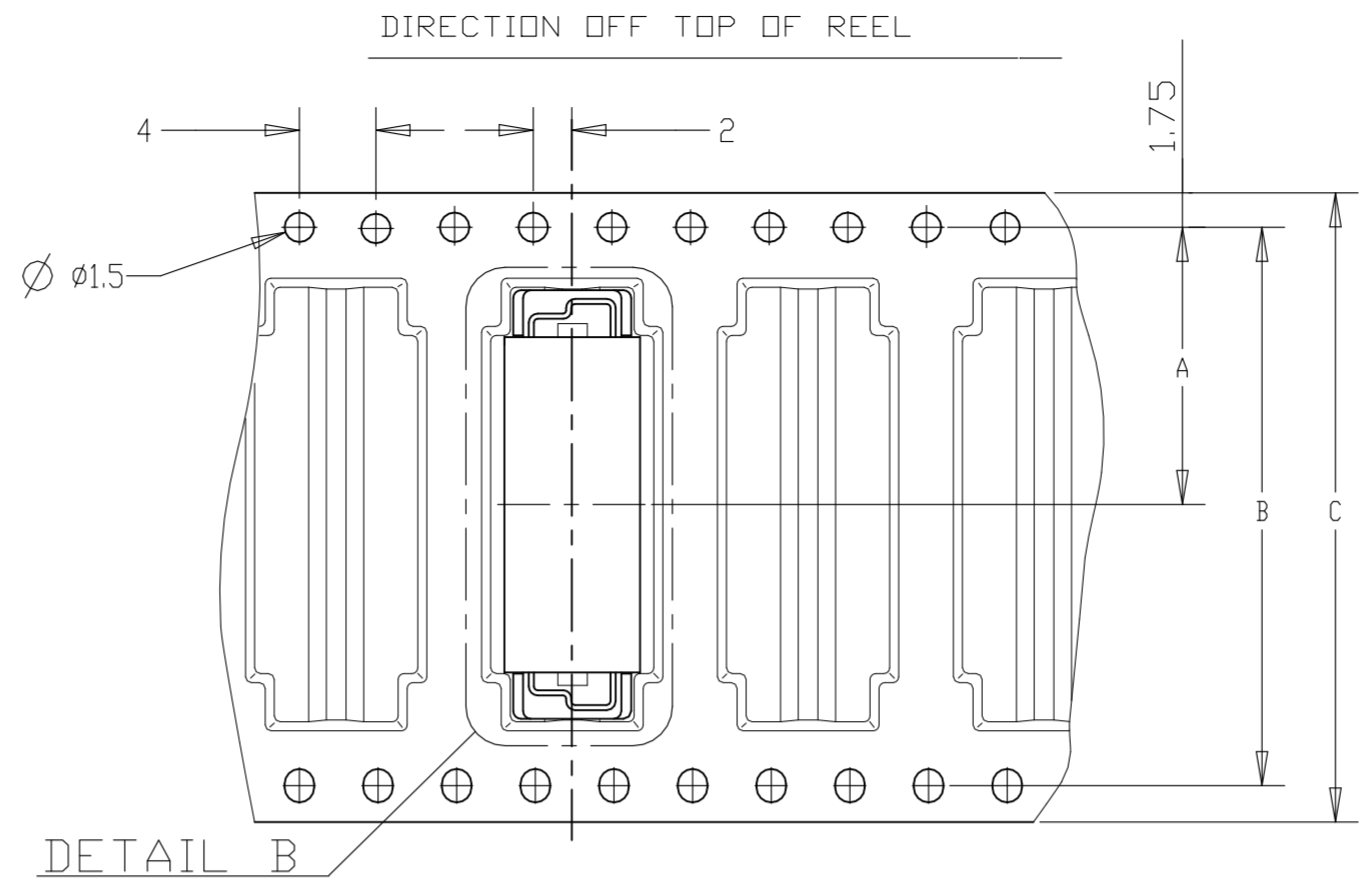
THIS DRAWING IS A CONTROLLED DOCUMENT.

| | | | |
|--------------------|--|--|----------------------|
| DIMENSIONS: mm | TOLERANCES UNLESS OTHERWISE SPECIFIED: | DWN FLORENCE TAN 30AUG2004 | TE Connectivity Ltd. |
| | | CHK ERIC TNG 30MAY2012 | |
| | | APVD SF LEONG 30MAY2012 | |
| | | PRODUCT SPEC 108-5390 | |
| | | APPLICATION SPEC | |
| MATERIAL: SEE NOTE | FINISH: SEE NOTE | NAME: PLUG ASSEMBLY, FH 0.8 ON TAPING (EMBOSS) 0.5 BOSS LENGTH | |
| | | SIZE: A2 | |
| | | CAGE CODE: 00779 | |
| | | DRAWING NO: C=5177986 | |
| | | SCALE: 1:1 | |
| | | SHEET: 1 OF 4 | |
| | | REV: F8 | |

| REVISIONS | | | | | |
|-----------|-----|-------------|------|-----|------|
| P | LTR | DESCRIPTION | DATE | DWN | APVD |
| - | - | SEE SHEET 1 | - | - | - |

LOW HALOGEN
POLYIMIDE COVER

Notes:
6 0.0002 MIN GOLD PLATING
(7.8u INCHES GOLD PLATING)



WINDING THE COVER TAPE
AROUND THE OUTER
PERIPHERY IN A TURN.

| | | | | | | | | | | | | | | | |
|---------|-----|-------------|-----|----|----|----|------|------|------|----|------|------|-----|-------------|-------------------|
| 800 | 6H | 2.6 | 5.6 | 12 | 12 | 17 | 5.85 | 6.25 | 37.8 | 56 | 52.4 | 26.2 | 80 | 9-5177986-3 | |
| 650 | 5H | 1.2 | 4.6 | 12 | 16 | 17 | 4.85 | 5.25 | 61.8 | 88 | 84.4 | 42.2 | 140 | 9-5177986-6 | |
| REMARKS | QTY | HEIGHT TYPE | Y | X | J | H | G | F | E | D | C | B | A | POS | SALEABLE PART NO. |

THIS DRAWING IS A CONTROLLED DOCUMENT.

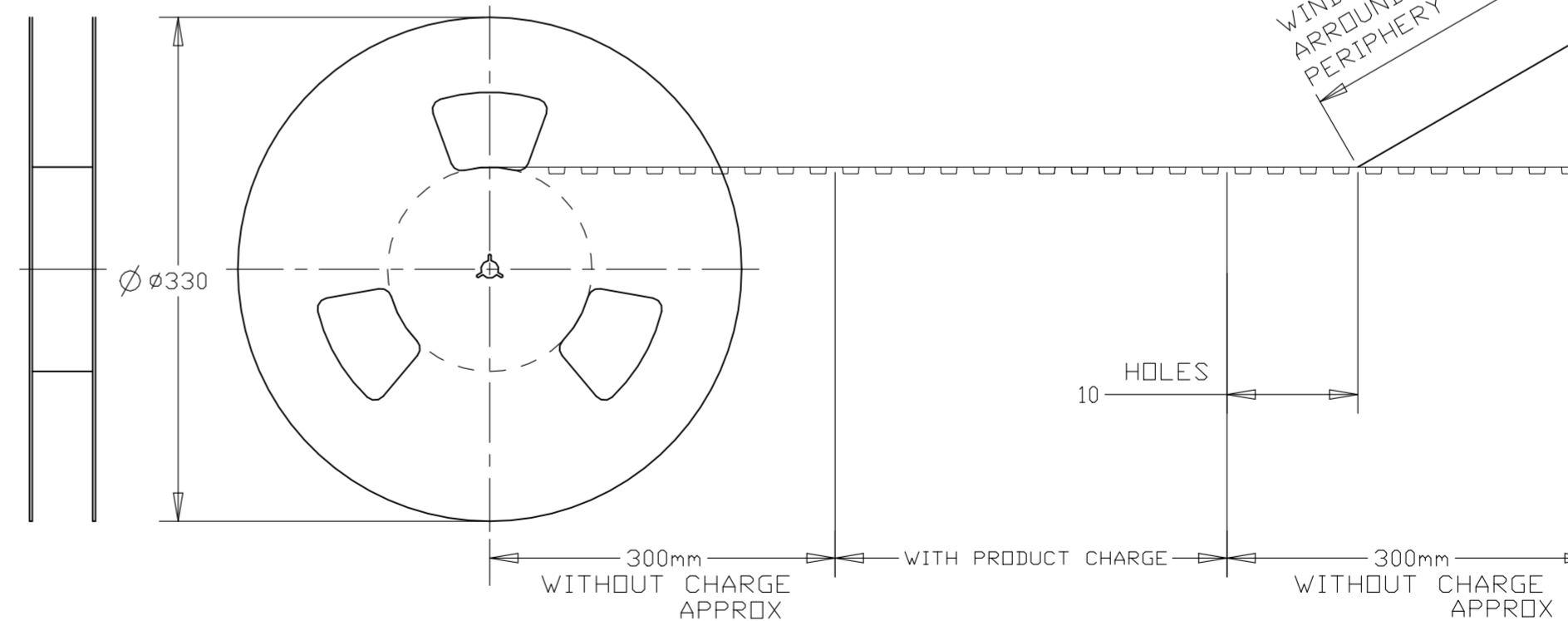
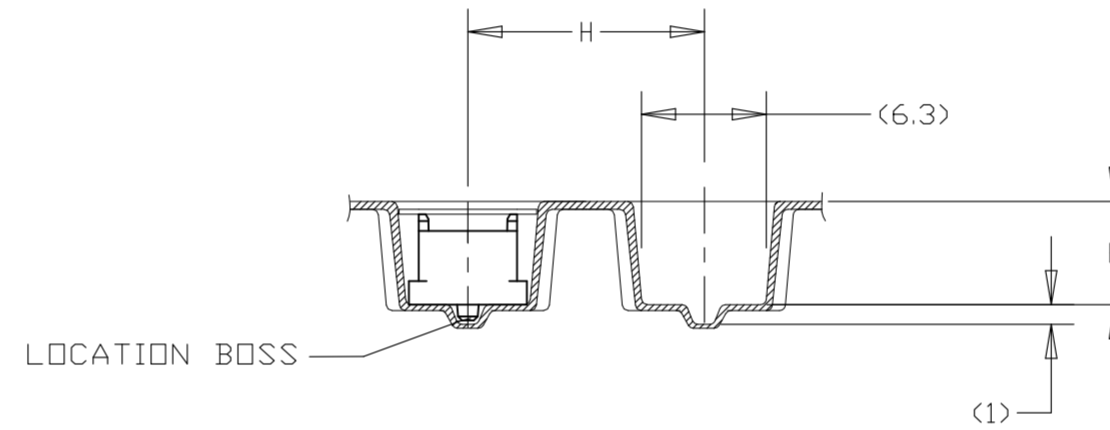
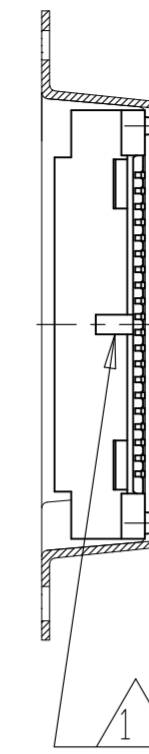
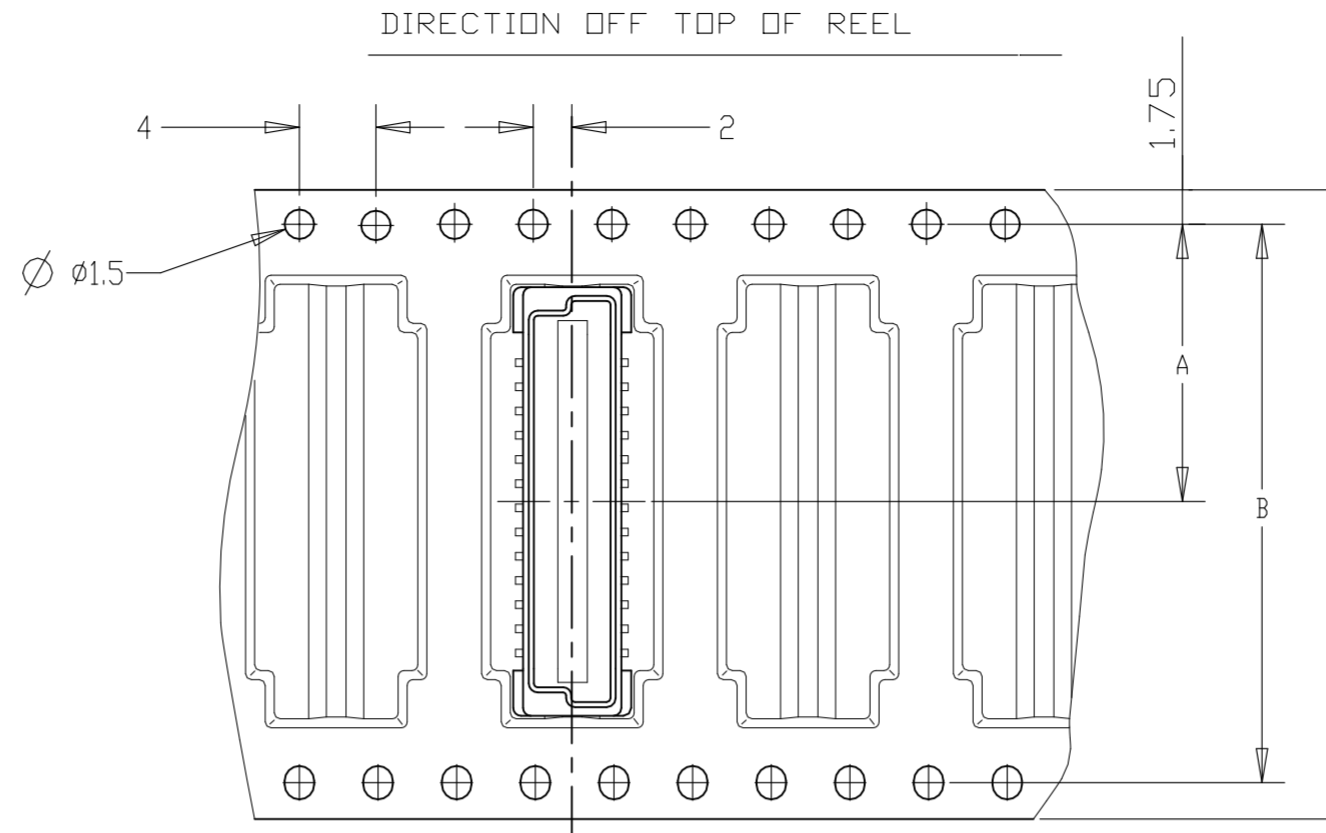
| | | | |
|------------------|--------------|-----------|-------------------------------|
| DWN | FLORENCE TAN | 30AUG2004 | TE Connectivity Ltd. |
| CHK | ERIC TNG | 30MAY2012 | |
| APVD | SF LEONG | 30MAY2012 | |
| PRODUCT SPEC | 108-5390 | | |
| MATERIAL | SEE NOTE | FINISH | SEE NOTE |
| WEIGHT | | | - |
| CUSTOMER DRAWING | | | SCALE 1:1 SHEET 2 OF 4 REV F8 |

| REVISIONS | | | | | |
|-----------|-----|-------------|------|-----|------|
| P | LTR | DESCRIPTION | DATE | DWN | APVD |
| - | - | SEE SHEET 1 | - | - | - |

LOW HALOGEN

WITHOUT COVER

Notes:
 2 0.00038 MIN GOLD PLATING
 (15μ INCHES GOLD PLATING)



WINDING THE COVER TAPE
 AROUND THE OUTER
 PERIPHERY IN A TURN.

| REMARKS | QTY | HEIGHT TYPE | Y | X | H | E | C | B | A | POS | SALEABLE PART NO. |
|---------|-----|-------------|-----|-----|----|------|----|------|------|-----|-------------------|
| | 650 | 5H | 1.2 | 4.6 | 16 | 5.25 | 88 | 84.4 | 42.2 | 160 | 8-5177986-8 |
| | 650 | 5H | 1.2 | 4.6 | 16 | 5.25 | 72 | 68.4 | 34.2 | 120 | 8-5177986-5 |

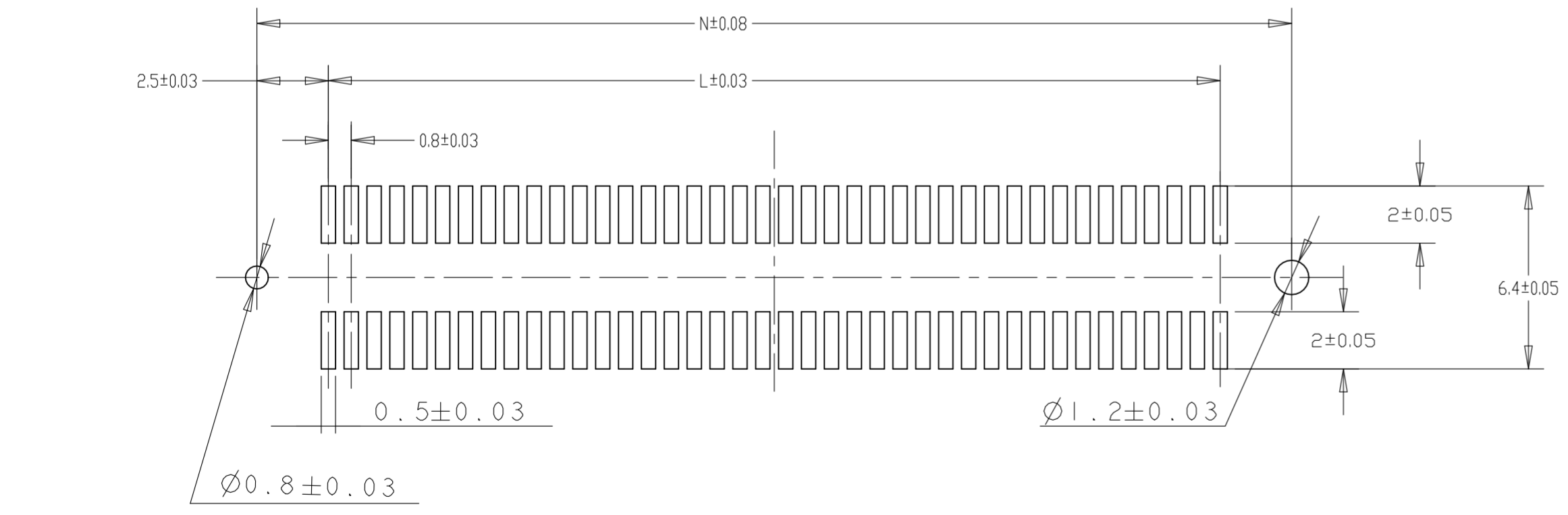
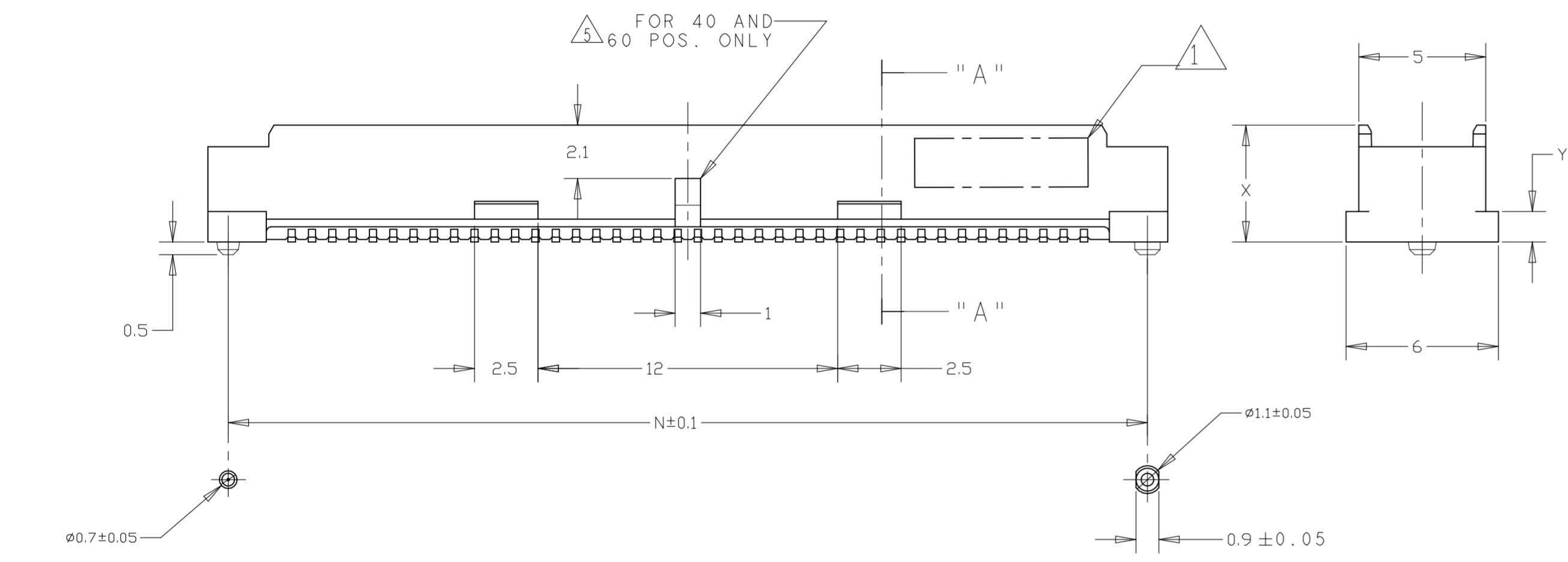
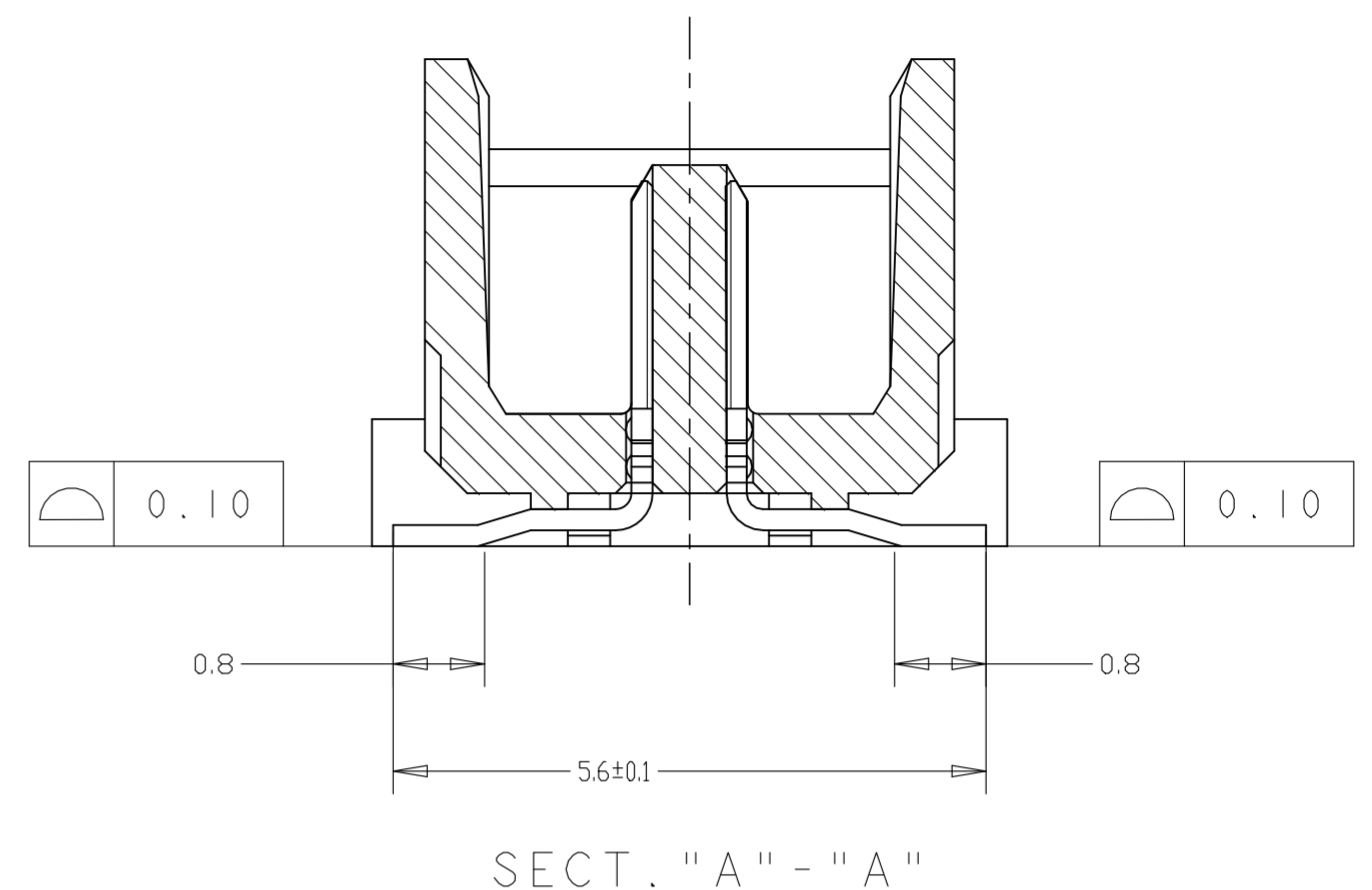
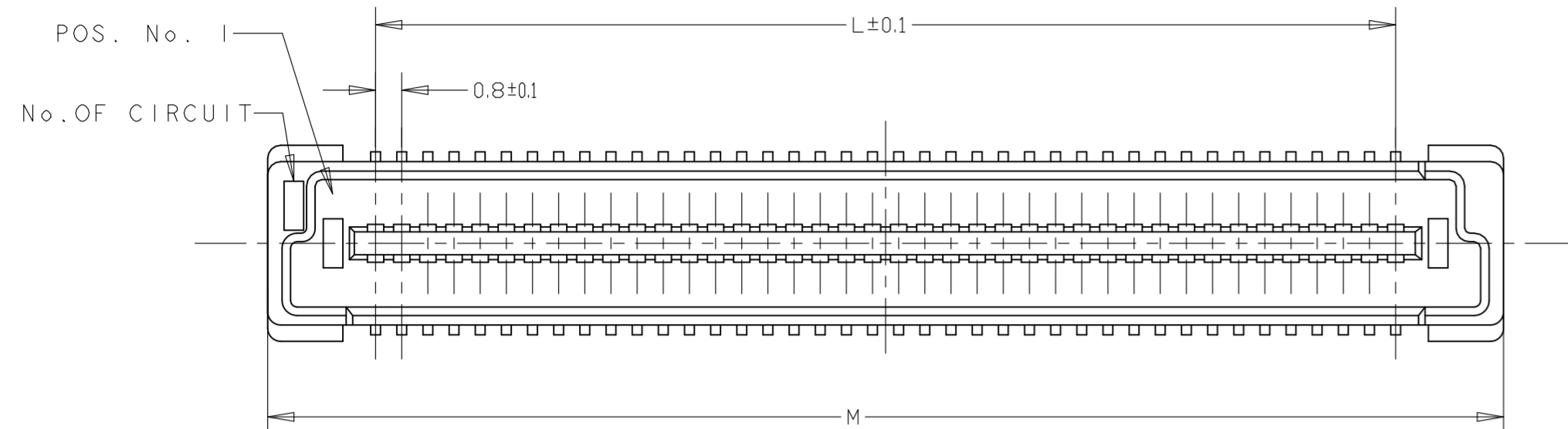
THIS DRAWING IS A CONTROLLED DOCUMENT.

| | |
|----------------------------------|---|
| DWN FLORENCE TAN 30AUG2004 | TE Connectivity Ltd. |
| CHK ERIC TNG 30MAY2012 | |
| APVD SF LEONG 30MAY2012 | |
| PRODUCT SPEC 108-5390 | |
| MATERIAL SEE NOTE | NAME PLUG ASSEMBLY, FH 0.8 ON TAPING (EMBOSS) 0.5 BOSS LENGTH |
| FINISH SEE NOTE | SIZE A2 |
| | CAGE CODE 00779 |
| | DRAWING NO C=5177986 |
| | RESTRICTED TO - |
| | SCALE 1:1 |
| | SHEET 3 of 4 |
| | REV F8 |

| P | LTR | DESCRIPTION | DATE | DWN | APVD |
|---|-----|-------------|------|-----|------|
| - | - | SEE SHEET 1 | - | - | - |

LOW HALOGEN

CONNECTOR ONLY



RECOMMENDED P.C. BOARD LAYOUT

| | | | |
|------|------|------|------|
| 84.2 | 85.8 | 79.2 | 200 |
| 76.2 | 77.8 | 71.2 | 180 |
| 68.2 | 69.8 | 63.2 | 160 |
| 60.2 | 61.8 | 55.2 | 140 |
| 52.2 | 53.8 | 47.2 | 120 |
| 44.2 | 45.8 | 39.2 | 100 |
| 36.2 | 37.8 | 31.2 | 80 |
| 28.2 | 29.8 | 23.2 | 60 |
| 20.2 | 21.8 | 15.2 | 40 |
| N | M | L | POS. |

THIS DRAWING IS A CONTROLLED DOCUMENT.

| | | | | | | |
|---|---|--------------------------|-------------|--------------------|--------------------------|--------------------|
| DWN FLORENCE TAN 30AUG2004 | TE Connectivity Ltd. | | | | | |
| CHK ERIC TNG 30MAY2012 | | | | | | |
| APVD SF LEONG 30MAY2012 | | | | | | |
| NAME PLUG ASSEMBLY, FH 0.8 ON TAPING (EMBOSS) 0.5 BOSS LENGTH | | | | | | |
| DIMENSIONS: mm | TOLERANCES UNLESS OTHERWISE SPECIFIED: 0 PLC ± - 1 PLC ± 0.2 2 PLC ± 0.15 3 PLC ± 0.1 4 PLC ± - ANGLES ± 3° | PRODUCT SPEC 108-5390 | SIZE A2 | CAGE CODE 00779 | DRAWING NO. C=5177986 | RESTRICTED TO - |
| MATERIAL SEE NOTE | FINISH SEE NOTE | APPLICATION SPEC - | WEIGHT - | SCALE 1:1 | SHEET 4 OF 4 | REV F8 |
| | | CUSTOMER DRAWING | | | | |

X-ON Electronics

Largest Supplier of Electrical and Electronic Components

Click to view similar products for [Board to Board & Mezzanine Connectors](#) category:

Click to view products by [TE Connectivity](#) manufacturer:

Other Similar products are found below :

[589158040000018](#) [MDF7C-18P-2.54DSA\(55\)](#) [FCN-268F036-G/BD](#) [FCN-268M012-G/0D](#) [FCN-268M024-G/1D](#) [FCN-723J004/1](#) [MIS-048-01-F-D-DP-K](#) [832-10-034-10-001000](#) [FX4C-80S-1.27DSA](#) [93696-330](#) [224393](#) [FCN-235D050-G/C](#) [210-93-314-41-105000](#) [2-22603-0](#) [MDF7-40DP-2.54DSA\(55\)](#) [5031084030](#) [MIT-114-03-F-D-K](#) [55323-1519](#) [503308-3040](#) [026-6203-PDB](#) [027-6203-PDB](#) [069159702701000](#) [101A10019X](#) [105061100000861+](#) [55650-0588-C](#) [75140-7012](#) [87471-650](#) [YTW-30-07-H-Q-410-140](#) [YTT-112-01-H-Q](#) [063209](#) [FCN-268F024-G0D](#) [10124054-515LF](#) [68685-603](#) [8-1616154-3](#) [MIS-019-01-F-D](#) [YTQ-12103HQ](#) [541371078](#) [IL-WX-10PB-HF-B-E1000E](#) [YFT-50-05-H-10-SB-K](#) [FCN-268M024-G/3D](#) [FCN-214J100-G/0](#) [FCN-230C068-E/S](#) [354184](#) [P50-028-DDS-TG](#) [53309-2471](#) [54546-2071](#) [1586617-1](#) [504208-1010](#) [504208-3010](#) [504208-5010](#)