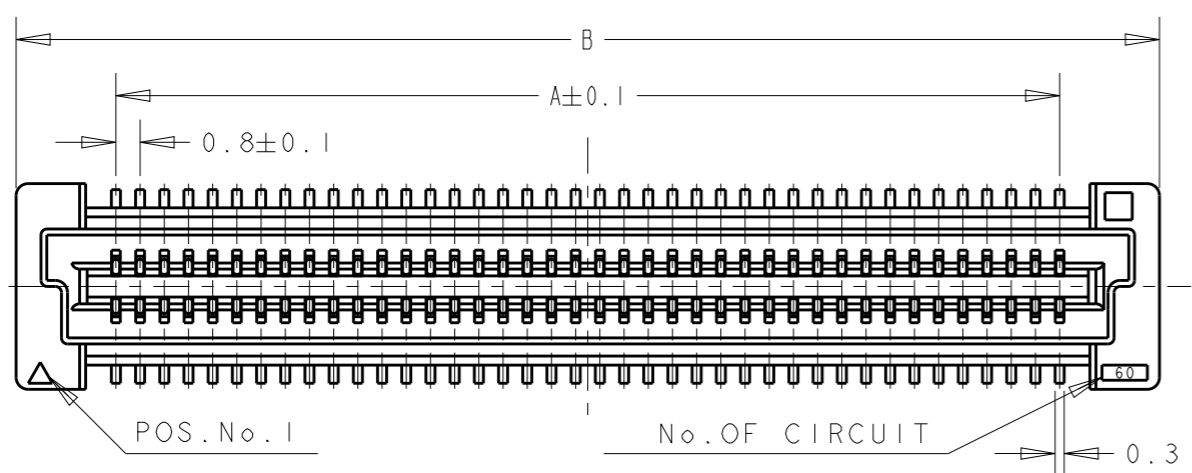
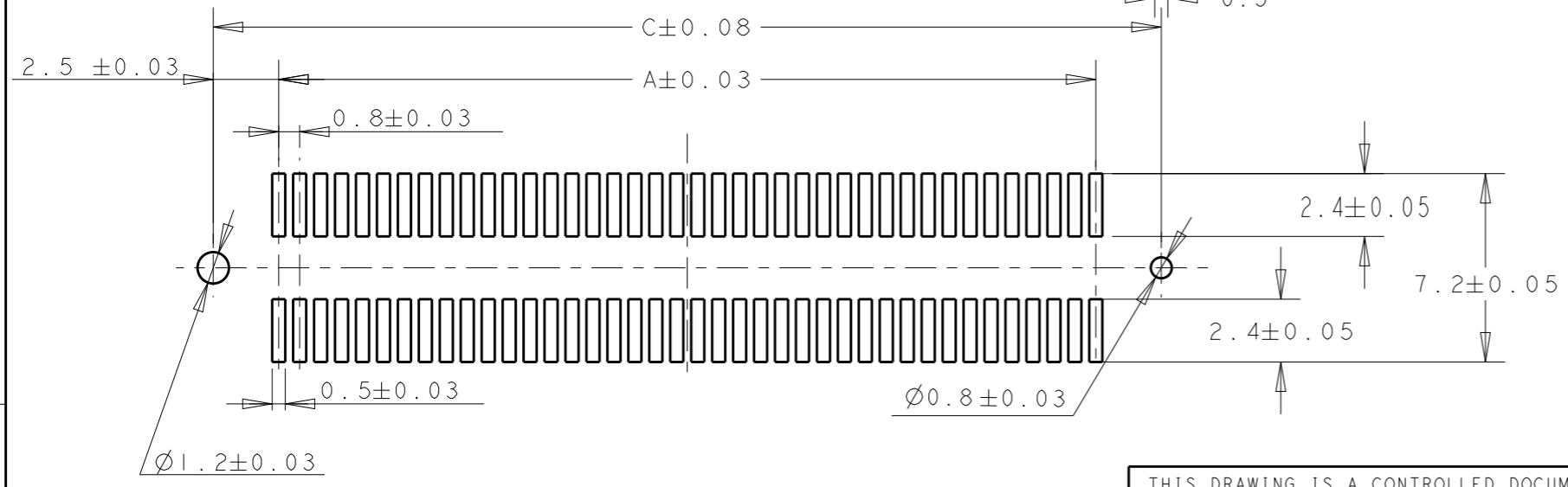
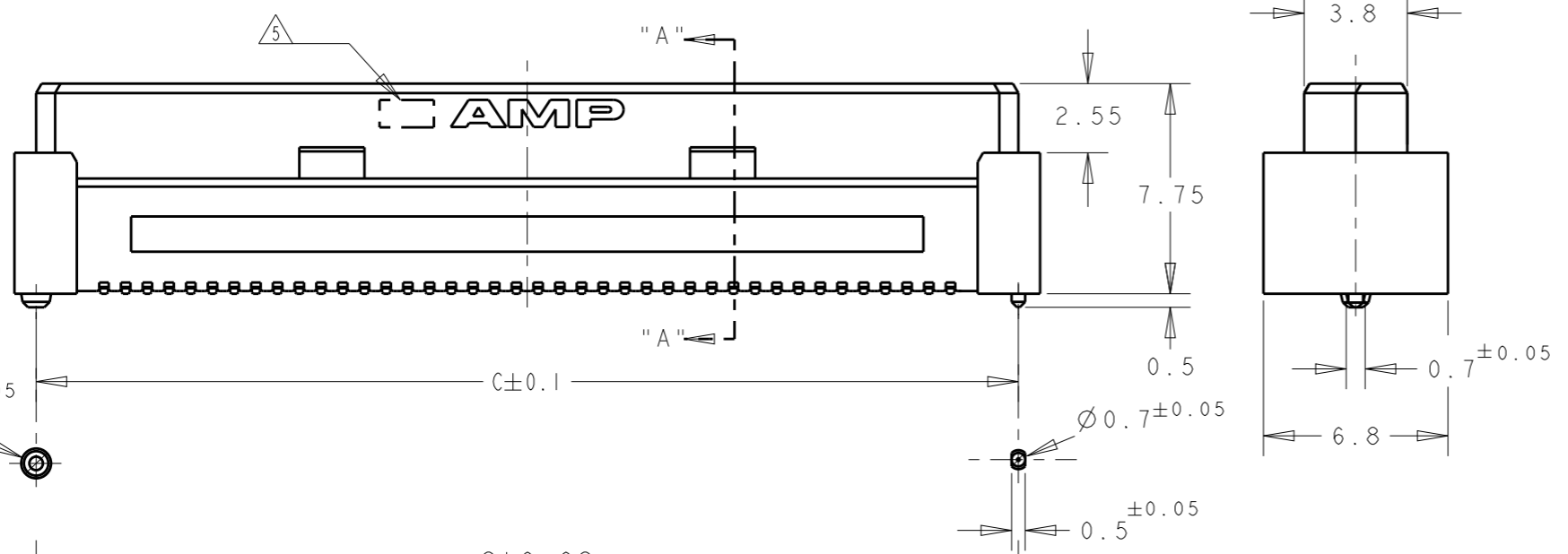
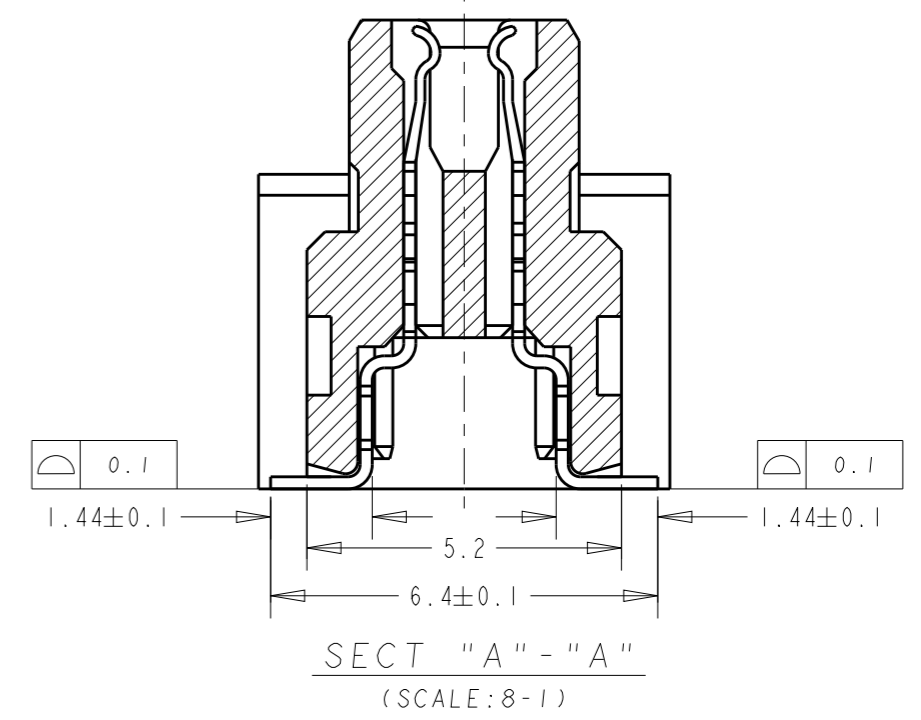


THIS DRAWING IS UNPUBLISHED. RELEASED FOR PUBLICATION 20
 © COPYRIGHT 20 BY - ALL RIGHTS RESERVED.

REVISIONS				
P	LTR	DESCRIPTION	DATE	APVD
R		REVISED PER ECO-17-005566	27APR17	B. J S. Y



LOW HALOGEN



RECOMMENDED P.C. BOARD LAYOUT

CONNECTOR ONLY

- NOTES;
- 1 MATERIAL: HOUSING: L.C.P. (HIGH TEMP. THERMOPLASTIC) UL 94V-0, NATURAL. CONTACT: BERYLIUM COPPER.
 - 2 FINISH: CONTACT AREA: 0.0002 MIN GOLD ON 0.0013 MIN ALL OVER NICKEL. SOLDERING AREA: 0.002 MIN MATTE-TIN
 - 3. POSITION SERIES: SEE TABLE. (SHEET 2)
 - 4. CONN STACK HEIGHT COMBINE OF PLUG "Y" H VS REC "X" H. STACK HEIGHT = Y + X - 5
 - 5 MANUFACTURE PLANT LOCATION MARK. QINGDAO:
 - 6 CONNECTOR WITH BLACK HOUSING AND POLYIMIDE COVER

THIS DRAWING IS A CONTROLLED DOCUMENT.		DWN FLORENCE TAN	14SEP04		TE Connectivity	
DIMENSIONS: mm		CHK ERIC TNG			NAME RECEPTACLE ASSEMBLY 9H TYPE FOR FH 0.8mm PITCH B-T-B CONNECTOR	
TOLERANCES UNLESS OTHERWISE SPECIFIED:		APVD SEIFONG		PRODUCT SPEC 108-5390		
0 PLC ±-		APPLICATION SPEC 114-5254		SIZE A3	CAGE CODE -	DRAWING NO C-5179009
1 PLC ±0.30		WEIGHT -		RESTRICTED TO -		
2 PLC ±0.25		CUSTOMER DRAWING		SCALE 4:1	SHEET 1 OF 3	REV R
3 PLC ±0.20						
4 PLC ±-						
ANGLES ±3°						
FINISH						
MATERIAL						

4

3

2

1

THIS DRAWING IS UNPUBLISHED.

RELEASED FOR PUBLICATION

20

REVISIONS

© COPYRIGHT 20 BY - ALL RIGHTS RESERVED.

P	LTR	DESCRIPTION	DATE	DWN	APVD
		SEE SHEET 1 OF 3			

508 ⁺¹/_{-2.5}

SECT "A" - "A"

REC ASS'Y (H=9mm, W/STEEL COVER), 0.8mm BTB STACKING CONN

SECT "B" - "B"

SEE DETAIL "A"

0.6 ±0.3
 8.35 ^{+0.4}/_{-0.1}
 (11.05)
 2.1 ±0.3
 0.6 ±0.3
 7.3 ±0.3
 0.6 ±0.3
 (8.5)

DETAIL "A"
(SCALE 5-1)

WITHOUT COVER

84.20	85.80	79.20	200	6-	-0
76.20	77.80	71.20	180	5-	-9
68.20	69.80	63.20	160	5-	-8
60.20	61.80	55.20	140	5-	-6
52.20	53.80	47.20	120	5-	-5
44.20	45.80	39.20	100	5-	-4
36.20	37.80	31.20	80	5-	-3
28.20	29.80	23.20	60	5-	-2
20.20	21.80	15.20	40	5-	-1
C	B	A	POS.	PART No.	

THIS DRAWING IS A CONTROLLED DOCUMENT.		DWN FLORENCE TAN 14SEP04	TE Connectivity		
DIMENSIONS: mm		CHK ERIC TNG			
TOLERANCES UNLESS OTHERWISE SPECIFIED:		APVD SEIFONG	NAME RECEPTACLE ASSEMBLY 9H TYPE FOR FH 0.8mm PITCH B-T-B CONNECTOR		
0 PLC ± 1 PLC ±0.30 2 PLC ±0.25 3 PLC ±0.20 4 PLC ± ANGLES ±3°		PRODUCT SPEC 108-5390	SIZE A3		
MATERIAL		APPLICATION SPEC 114-5254	CAGE CODE -	DRAWING NO C-5179009	RESTRICTED TO -
FINISH		WEIGHT -	SCALE 4:1		
		CUSTOMER DRAWING		SHEET 2 OF 3	REV R

LOW HALOGEN

1470-19 (3/13)

THIS DRAWING IS UNPUBLISHED.

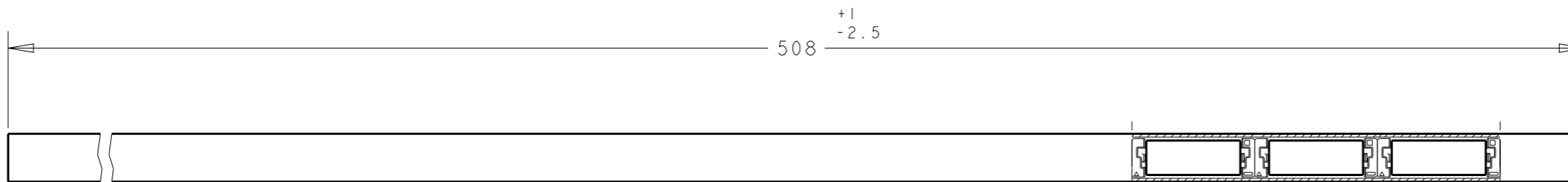
RELEASED FOR PUBLICATION

20

REVISIONS

© COPYRIGHT 20 BY - ALL RIGHTS RESERVED.

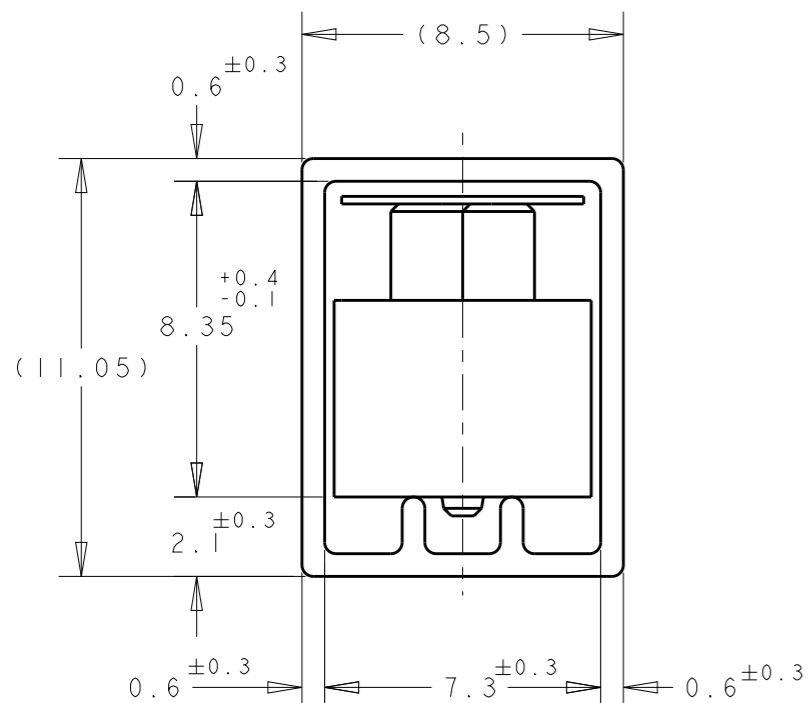
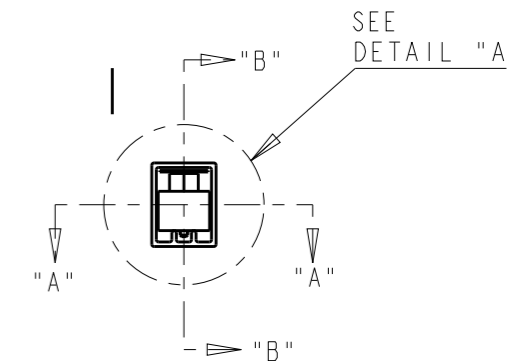
P	LTR	DESCRIPTION	DATE	DWN	APVD
		SEE SHEET 1 OF 3			



SECT "A" - "A"



SECT "B" - "B"



DETAIL "A"
(SCALE 5-1)

WITH POLYIMIDE COVER

LOW HALOGEN

60.20	61.80	55.20	140	9-5179009-6
C	B	A	POS.	PART No.

THIS DRAWING IS A CONTROLLED DOCUMENT.		DWN FLORENCE TAN 14SEP04		
DIMENSIONS: mm		CHK ERIC TNG		
TOLERANCES UNLESS OTHERWISE SPECIFIED:		APVD SEIFONG	NAME RECEPTACLE ASSEMBLY 9H TYPE FOR FH 0.8mm PITCH B-T-B CONNECTOR	
0 PLC ±-		PRODUCT SPEC 108-5390	SIZE A3	
1 PLC ±0.30		APPLICATION SPEC 114-5254	CAGE CODE -	DRAWING NO C=5179009
2 PLC ±0.25		WEIGHT -	RESTRICTED TO -	
3 PLC ±0.20		CUSTOMER DRAWING	SCALE 4:1	SHEET 3 OF 3
4 PLC ±-				REV R
ANGLES ±3°				
FINISH				
MATERIAL				

X-ON Electronics

Largest Supplier of Electrical and Electronic Components

Click to view similar products for [Board to Board & Mezzanine Connectors](#) category:

Click to view products by [TE Connectivity](#) manufacturer:

Other Similar products are found below :

[589158040000018](#) [MDF7C-18P-2.54DSA\(55\)](#) [FCN-230C068-11](#) [FCN-268F012-G/BD](#) [FCN-268F036-G/BD](#) [FCN-268M012-G/0D](#) [FCN-268M024-G/1D](#) [FCN-723J004/1](#) [MIS-048-01-F-D-DP-K](#) [832-10-034-10-001000](#) [FX4C-80S-1.27DSA](#) [FCN-214Q030-G/0](#) [FCN-234P048-G/0](#) [FCN-235D050-G/C](#) [210-93-314-41-105000](#) [2-22603-0](#) [MDF7-40DP-2.54DSA\(55\)](#) [AXG720047](#) [5031084030](#) [MIT-114-03-F-D-K](#) [55323-1519](#) [DF33-2P-3.3DSA\(24\)](#) [YFT-20-05-H-03-SB-K](#) [503308-3040](#) [026-6203-PDB](#) [027-6203-PDB](#) [069159702701000](#) [10123981-102LF](#) [101A10019X](#) [55650-0588-C](#) [68684-306](#) [75140-7012](#) [589159005003045](#) [194261-1](#) [FCN-268F024-G0D](#) [10124054-515LF](#) [68685-603](#) [8-1616154-3](#) [MIS-019-01-F-D](#) [589159005002045](#) [541371078](#) [IL-WX-10PB-HF-B-E1000E](#) [FCN-268M024-G/3D](#) [20021832-06016C1LF](#) [KX15-20KLDL-E1000E](#) [MDF7-16DP-2.54DSA\(55\)](#) [AXE810124](#) [FCN-214J100-G/0](#) [FCN-230C068-E/S](#) [AXE812124](#)