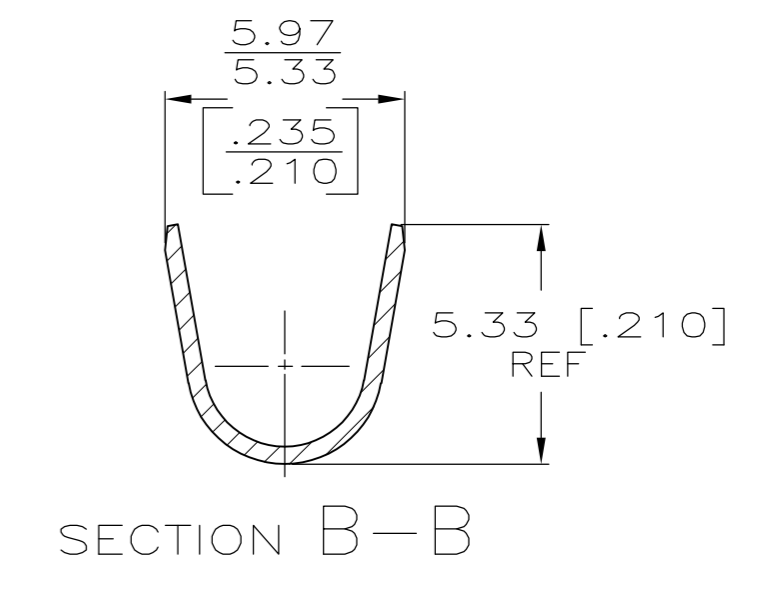
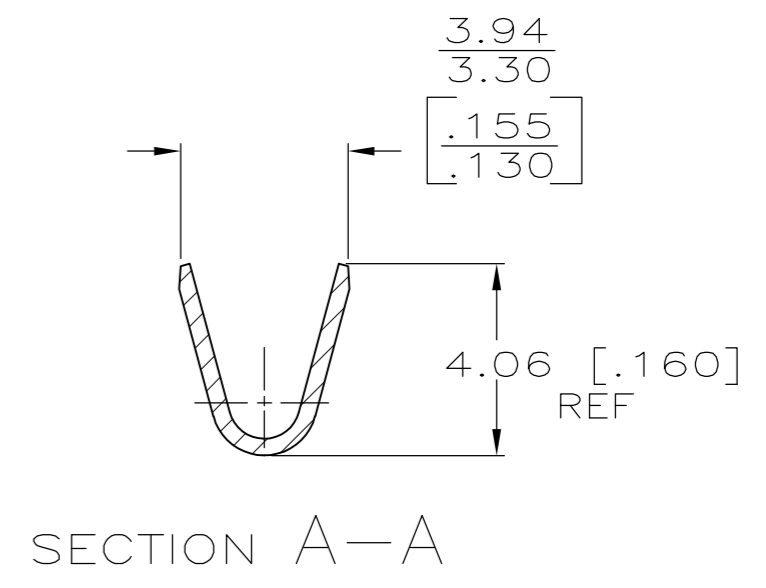
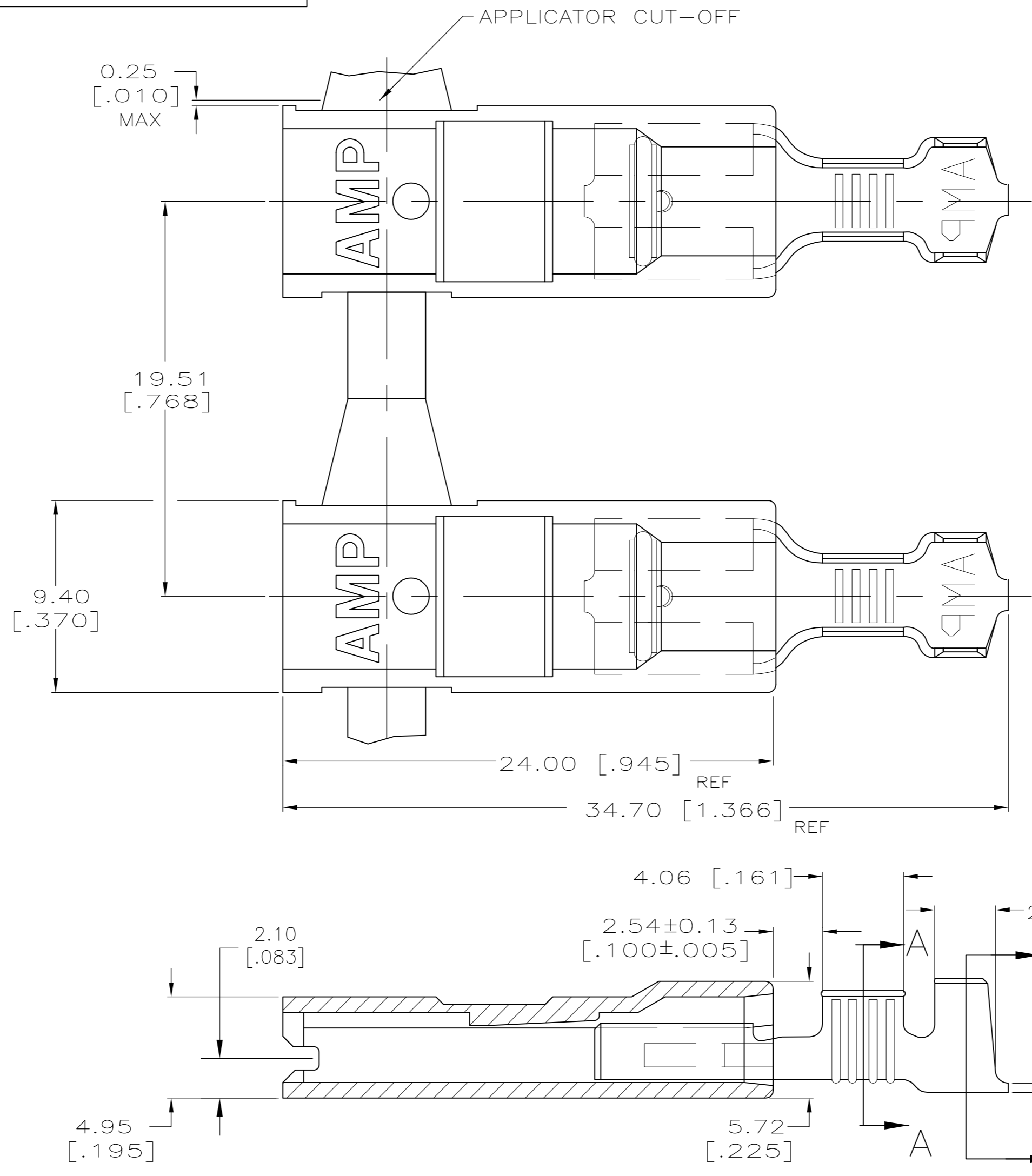


THIS DRAWING IS UNPUBLISHED. RELEASED FOR PUBLICATION
 © COPYRIGHT - By - ALL RIGHTS RESERVED.

REVISIONS				
P	LTR	DESCRIPTION	DATE	APVD
D3		REVISED PER ECR-15-016360	10MAR2016	NK LP



1 BUDGET FASTON TERMINALS, BASE. P/N 63884, ARE USED IN THIS PRODUCT.

OBSOLETE	BULK	2.79-4.32 [.110-.170]	0.8-2.0 mm ² [18-14]	0.813 [.032]	-5-521094-1-
	STANDARD				521094-1
	PACKAGING	INSULATION RANGE	WIRE SIZE	MATING TAB THK ±0.025 [±.001]	PART NO

THIS DRAWING IS A CONTROLLED DOCUMENT.		DWN	JR RUTH	11/27/95	 TE Connectivity				
DIMENSIONS: INCHES		CHK	MS FEHER	11/27/95					
TOLERANCES UNLESS OTHERWISE SPECIFIED:		APVD	D BRATINA	11/27/95					
0 PLC ± - 1 PLC ± - 2 PLC ± - 3 PLC ± 0.25 [.010] 4 PLC ± - ANGLES ± -		PRODUCT SPEC	108-1285	NAME		ASSEMBLY, ULTRA-POD, RECEPTACLE, 6.35 [.250] SERIES			
MATERIAL	HOUSING - 6/8 NYLON TERMINAL - 4M HARD BRASS	FINISH	HOUSING - NATURAL TERMINAL - PLAIN	WEIGHT	SIZE	CAGE CODE	DRAWING NO	RESTRICTED TO	
				CUSTOMER DRAWING	A2	00779	C=521094	-	
				SCALE	5:1	SHEET	1 of 1	REV	D3

X-ON Electronics

Largest Supplier of Electrical and Electronic Components

Click to view similar products for [Terminals](#) category:

Click to view products by [TE Connectivity](#) manufacturer:

Other Similar products are found below :

[HT-13-10](#) [71M-250-32-NB](#) [01-2065-1-0216](#) [00581P0075](#) [M10-10RX](#) [M10BCK](#) [60205-1](#) [604200-1](#) [60598-1-CUT-TAPE](#) [60617-1-C](#) [60873-1](#) [M14-516R/SK](#) [M14-6RSX](#) [M18-8FBX](#) [M18-8R/LX](#) [M18BCK](#) [61314-6-C](#) [61-S](#) [61-SN-A](#) [62-NBM-A](#) [63-S](#) [640179-1](#) [640917-2-CUT-TAPE](#) [6501550002](#) [66107-2-C](#) [696683-1](#) [696834-1](#) [696861-1](#) [696931-1](#) [696999-1](#) [M8-516RK](#) [M86700006](#) [MA250DMFMX-A](#) [701-2007](#) [701-2307](#) [701-7761-03](#) [70F-110-32-PB](#) [718-N-A](#) [71M-187-20-NBL](#) [71M-250-32-NBL](#) [72F-187-20-NBL](#) [72M-250-32-NBL](#) [7310](#) [73F-250-32](#) [73F-250-32-NL](#) [F14-10C](#) [F-1M](#) [751-250](#) [76650-5002](#) [76828-149](#)