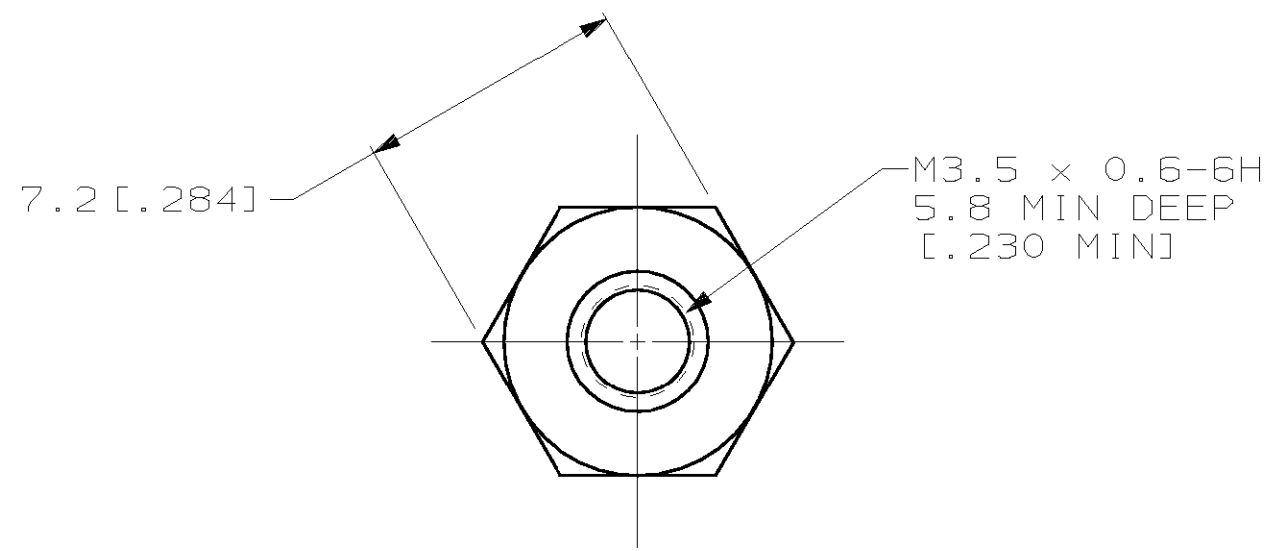
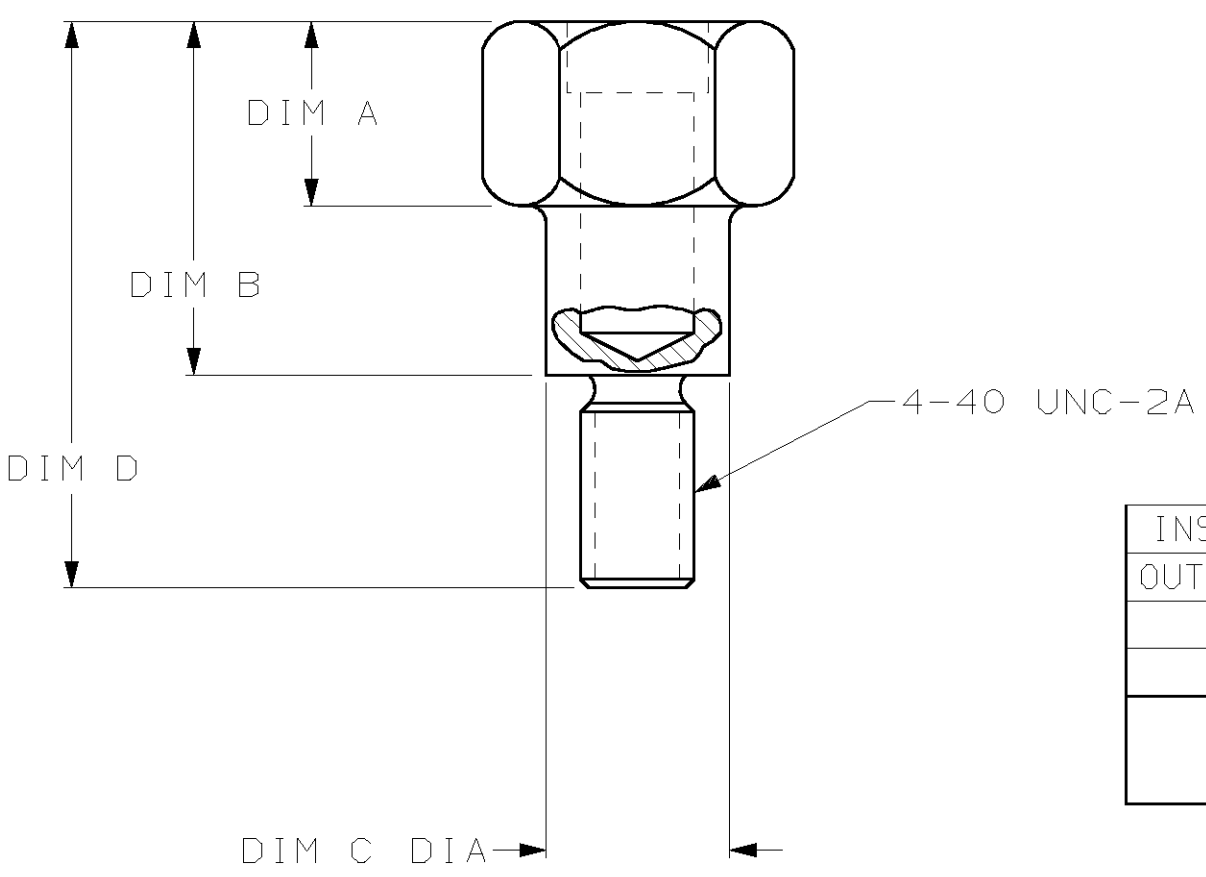


THIS DRAWING IS UNPUBLISHED. RELEASED FOR PUBLICATION ,19 .
 © COPYRIGHT 19 BY AMP INCORPORATED. ALL RIGHTS RESERVED.

LOC	DIST	REVISIONS			
P	LTR	DESCRIPTION	DATE	DWN	APVD
AA	20	K	REVISED PER EC 0U1D-0002-00	21JAN00	DLD EWB



1. ALL DIMENSIONS SHOWN ARE FOR REFERENCE ONLY.
2. DIMENSIONS IN [] BRACKETS ARE IN INCHES.
3. PARTS COATED WITH AMP APPROVED CORROSION PREVENTATIVE.



INSIDE (SHIELDED)	17.5 [.688]	4.6 [.183]	9.4 [.369]	4.9 [.193]	552634-9
OUTSIDE (SHIELDED)	19.1 [.750]	4.6 [.183]	11.0 [.432]	6.5 [.256]	552634-7
INSIDE	16.5 [.650]	4.7 [.185]	8.5 [.335]	4.9 [.193]	552634-4
OUTSIDE	16.5 [.650]	4.2 [.165]	8.6 [.339]	6.5 [.256]	552634-3
PANEL MOUNTED	DIM D	DIM C DIA	DIM B	DIM A	PART NUMBER

THIS DRAWING IS A CONTROLLED DOCUMENT.

DIMENSIONS: mm [INCHES]	TOLERANCES UNLESS OTHERWISE SPECIFIED:	DWN V.E. SLACK 02 MAR 78	AMP Incorporated Harrisburg, PA 17105-3608
	0 PLC ±-	CHK R.E. REICH 14 MAR 78	
	1 PLC ±-	APVD S. HEGE 05 APR 78	
	2 PLC ±-	NAME	
3 PLC ±-	4 PLC ±-	PRODUCT SPEC	STANDOFF, STUD, MOUNTING (METRIC)
4 PLC ±-	ANGLES ±-	APPLICATION SPEC	SIZE CAGE CODE DRAWING NO RESTRICTED TO
MATERIAL	FINISH	WEIGHT	A3 00779 C- 552634 -
STEEL	BLACK OXIDE	CUSTOMER DRAWING	SCALE NONE SHEET 1 OF 1 REV K

METRIC

X-ON Electronics

Largest Supplier of Electrical and Electronic Components

Click to view similar products for [D-Sub Tools & Hardware](#) category:

Click to view products by [TE Connectivity](#) manufacturer:

Other Similar products are found below :

[173112-0667](#) [173112-0759](#) [173112-0967](#) [173112-0291](#) [173112-0456](#) [000-01-09-132](#) [000-01-21-132](#) [000-01-31-162](#) [572019-00105-70](#)
[000-01-37-162](#) [621-250-113-115](#) [D20418-2R](#) [D20418-J3F](#) [70521CLF](#) [70524BLF](#) [70527BLF](#) [70527CLF](#) [F1042-1PLAH](#) [750643-1](#) [780-010-](#)
[06G4-00C](#) [780-518-50SG6-WS](#) [863004ATLF](#) [86552009](#) [86553115TLF](#) [86553117TLF](#) [86553156LF](#) [FSGK1/5](#) [980-8554-000](#) [980-8555-000](#)
[980-8557-000](#) [980-8558-000](#) [1230032-1](#) [1-5021101-2](#) [15-000050](#) [1589283-4](#) [160-000-005R031](#) [16-000230](#) [160-020-109R000](#) [160-025-](#)
[004R031](#) [160-015-003R031](#) [160-020-209R000](#) [160X10909X](#) [164C03939A](#) [177-505-A-2-2](#) [177-505-C-4-4](#) [179-013-1H](#) [1-966830-8](#) [21018-6](#)
[21028-3](#) [213622-5](#)