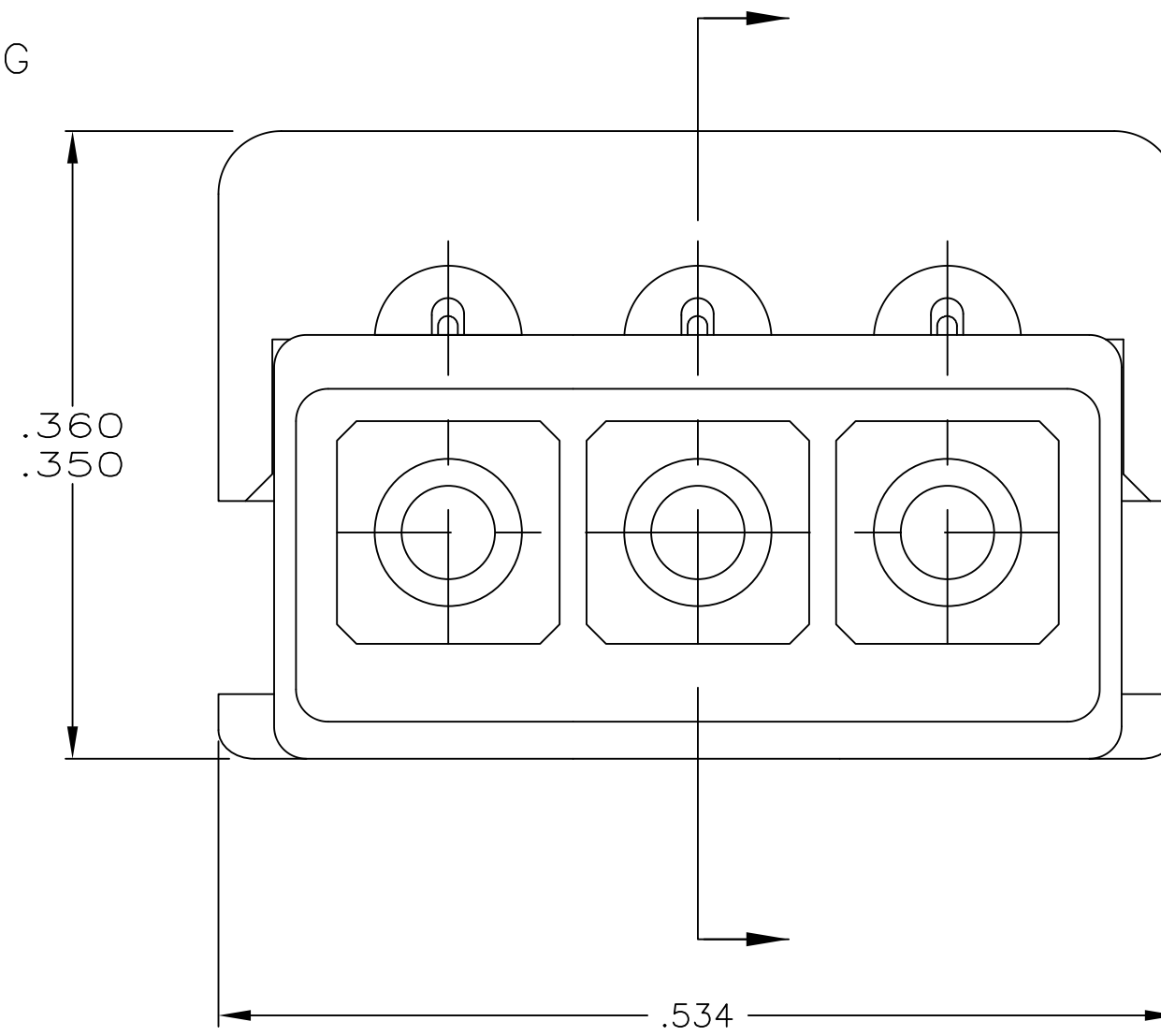
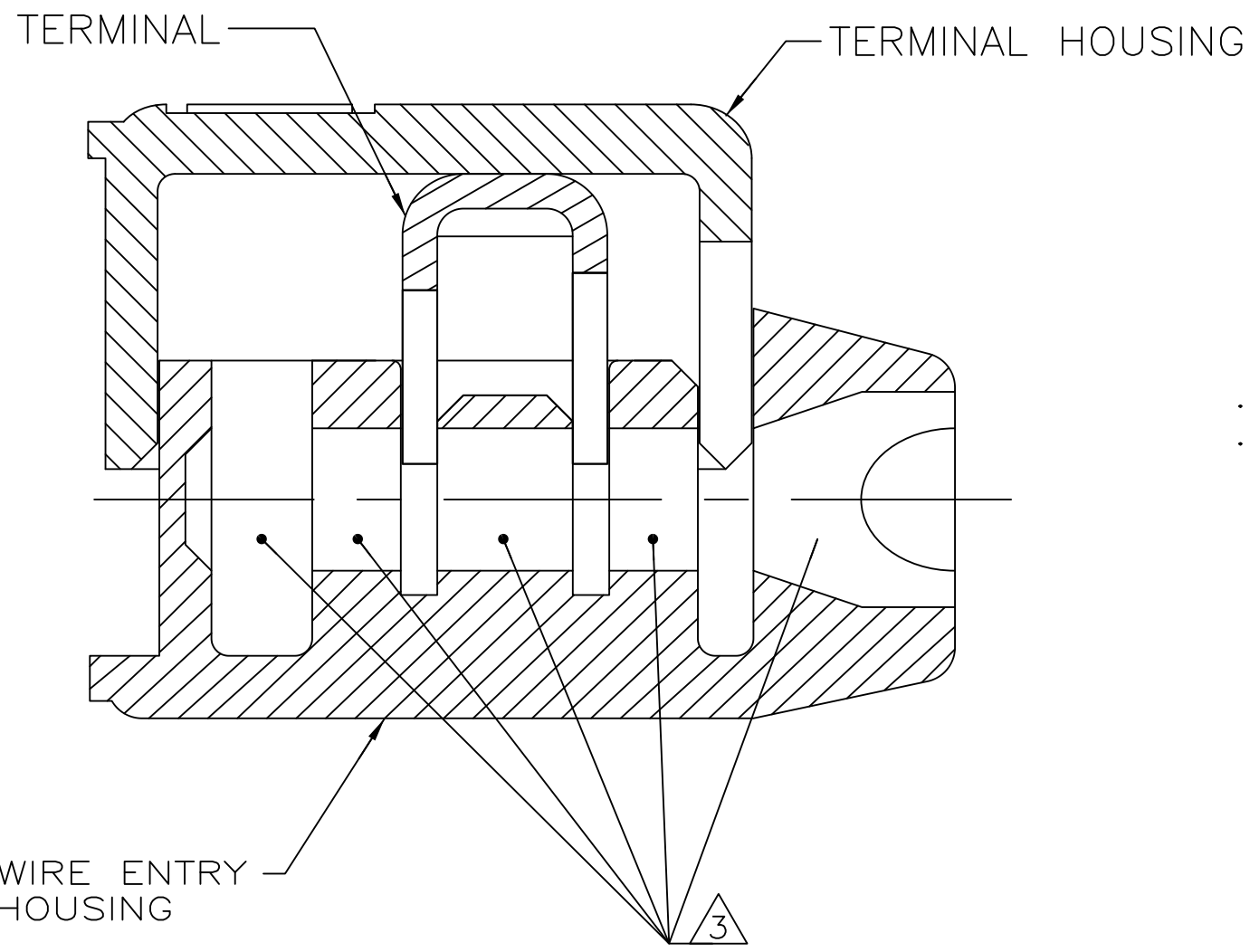


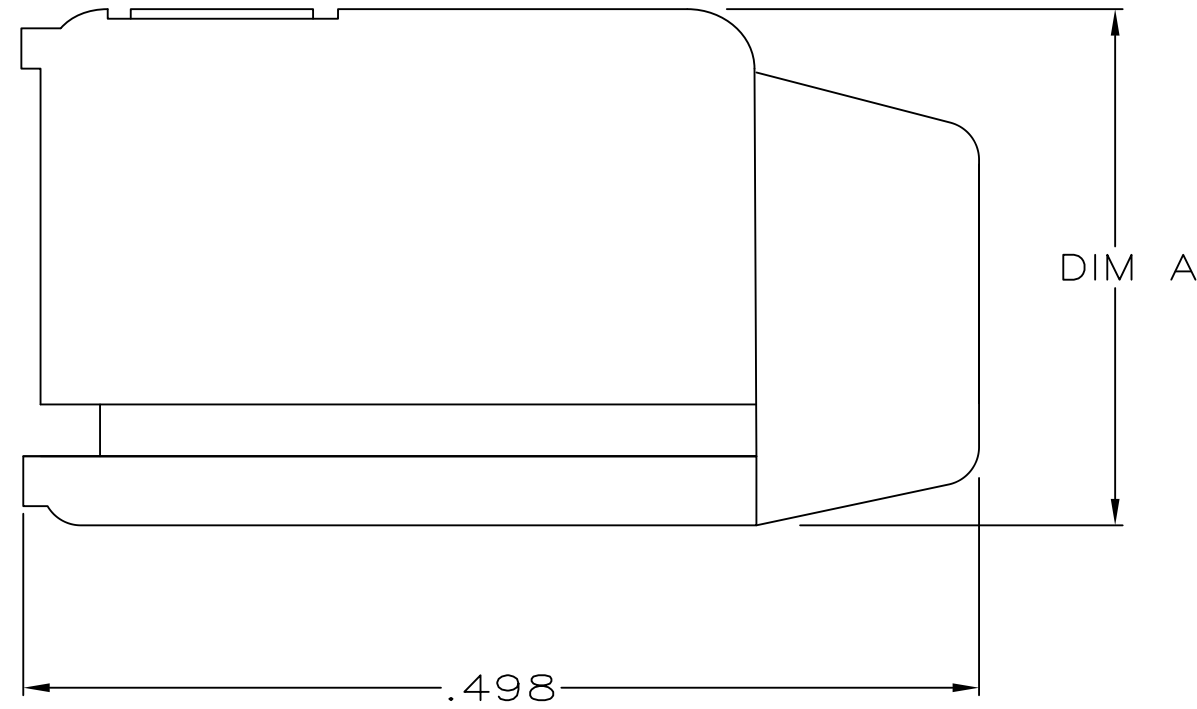
THIS DRAWING IS UNPUBLISHED. RELEASED FOR PUBLICATION
 © 2016 Commscope, INC. Confidential NOTICE: These drawings and specifications are the proprietary property of COMMSCOPE, INC. and may be used only for the specific purpose authorized in writing by COMMSCOPE, INC.

| LOC | | DIST | | REVISIONS | | | |
|-----|-----|---------------------------|-----------|-----------|------|--|--|
| P | LTR | DESCRIPTION | DATE | DWN | APVD | | |
| Z | | REV PER 40025366MCO | 13OCT2015 | GG | JD | | |
| AA | | ECN 8000019699 REBRANDING | 30JAN2017 | JUM | ARL | | |

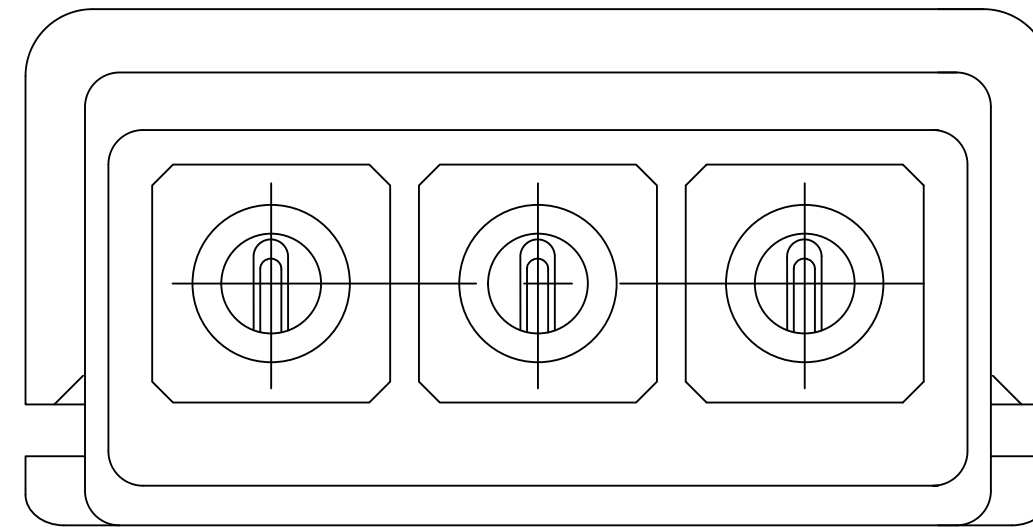


UNCRIMPED

1. WIRE RANGE: 19-26 AWG SOLID COPPER CONDUCTORS.
- 2 MATERIAL: HOUSING - THERMOPLASTIC (CLEAR)
TERMINAL - TIN PLATED PHOSPHOR BRONZE
- 3 SEALANT ADDED TO HOUSING IN THREE AREAS.
4. ALL DIMENSIONS ARE FOR REFERENCE ONLY.
5. FOR CRIMPING INFORMATION SEE APPLICATION SPECIFICATION 114-6010.
- 6 TEL-SPLICE ASSEMBLIES WITHOUT SEALANT (UNFILLED) SHALL BE YELLOW.



CRIMPED



| | | | |
|---------------------|---------------------|-------------------|-------------|
| OBSOLETE | 100 | WITH SEALANT | 1-552678-7 |
| SUPSD BY 1-552678-2 | 100 | WITH SEALANT | 1-552678-6 |
| OBSOLETE | BULK | 6 WITHOUT SEALANT | 1-552678-5 |
| | 100 | 6 WITHOUT SEALANT | 1-552678-4 |
| | 100 | WITH SEALANT | 1-552678-2 |
| OBSOLETE | BULK | WITH SEALANT | 552678-5 |
| | 500 | 6 WITHOUT SEALANT | 552678-4 |
| SUPSD BY 552678-2 | 500 | 6 WITHOUT SEALANT | 552678-3 |
| | 500 | WITH SEALANT | 552678-2 |
| | PARTS PER CONTAINER | DESCRIPTION | PART NUMBER |

| | |
|-------------|----------|
| .262 | 24-26 |
| .276 | 19-22 |
| DIM "A" MAX | WIRE-AWG |

THIS DRAWING IS A CONTROLLED DOCUMENT.

| | | | | | | |
|----------------|--|-----------------------|------------------------|--------------|---------------------|---|
| DIMENSIONS: mm | TOLERANCES UNLESS OTHERWISE SPECIFIED: | DWN L. HALL 20FEB04 | COMMSCOPE, INC. | | | |
| | 0 PLC ± - | CHK A. KINKA 24FEB04 | | | NAME | |
| | 1 PLC ± - | APVD A. KINKA 24FEB04 | | | | TEL-SPLICE ASSEMBLY, 3 WIRE (INTERNATIONAL) |
| | 2 PLC ± - | PRODUCT SPEC | | | | |
| 3 PLC ± - | APPLICATION SPEC | | | | | |
| 4 PLC ± - | ANGLES ± - | WEIGHT - | SIZE A2 | CAGE CODE - | DRAWING NO C=552678 | RESTRICTED TO - |
| MATERIAL | FINISH - | CUSTOMER DRAWING | SCALE 10:1 | SHEET 1 of 1 | REV AA | |

552678

X-ON Electronics

Largest Supplier of Electrical and Electronic Components

Click to view similar products for [Terminals](#) category:

Click to view products by [TE Connectivity](#) manufacturer:

Other Similar products are found below :

[00-054007-01074-6](#) [00-054007-70206-1](#) [00-054007-70210-8](#) [00-054007-70217-7](#) [00-054007-70226-9](#) [00-054007-70228-3](#) [00-054007-70248-1](#) [00-054007-70256-6](#) [00-054007-70301-3](#) [00-054007-70316-7](#) [00-054007-49560-4](#) [00-054007-70209-2](#) [00-054007-70225-2](#) [00-054007-70227-6](#) [00-054007-70231-3](#) [00-054007-70241-2](#) [00-054007-70242-9](#) [00-054007-70244-3](#) [00-054007-70246-7](#) [00-054007-70263-4](#) [00-054007-70288-7](#) [00-054007-70290-0](#) [00-054007-70300-6](#) [00-054007-70304-4](#) [01-2065-1-0216](#) [01-2900-1-04412](#) [00581P0075](#) [600TS-10](#) [60205-1](#) [604200-1](#) [605601-1](#) [60598-1-CUT-TAPE](#) [61314-6-C](#) [61810-3](#) [61-S](#) [61-SN](#) [626-0194](#) [62-NBM-A](#) [62-SN](#) [62-SP](#) [63-S](#) [640179-1](#) [M55155/059I03](#) [M55155/079C01](#) [M55155/099H02](#) [M55155/109H01](#) [M55155/109H02](#) [M55155/12XH05](#) [M55155/16XH02](#) [M55155/29-5S](#)