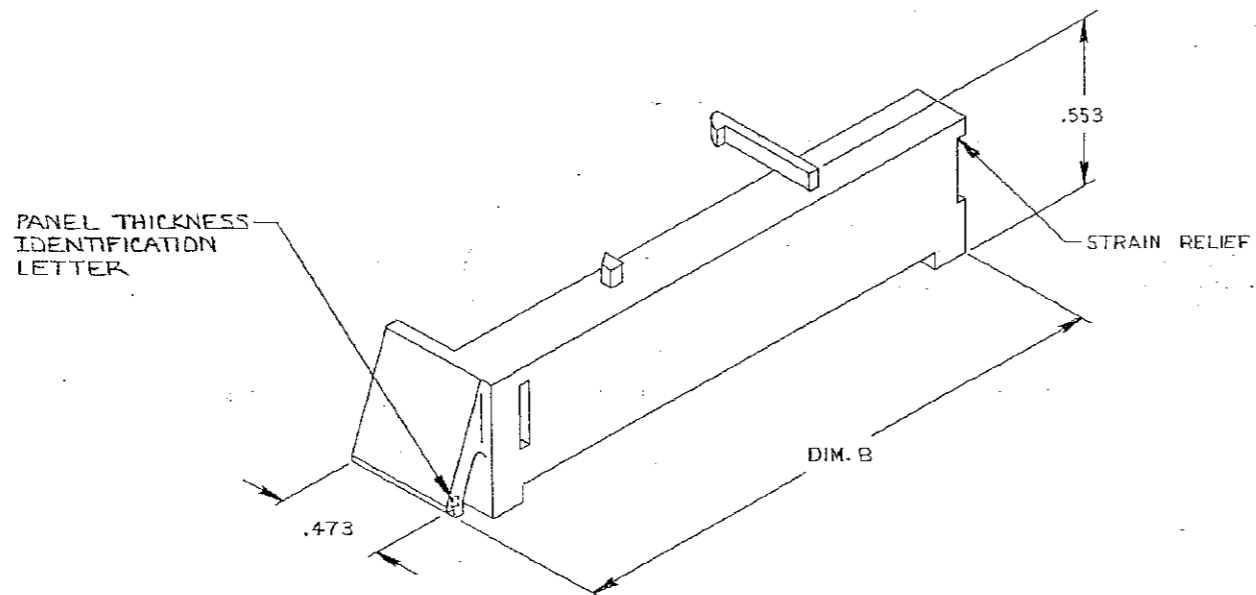


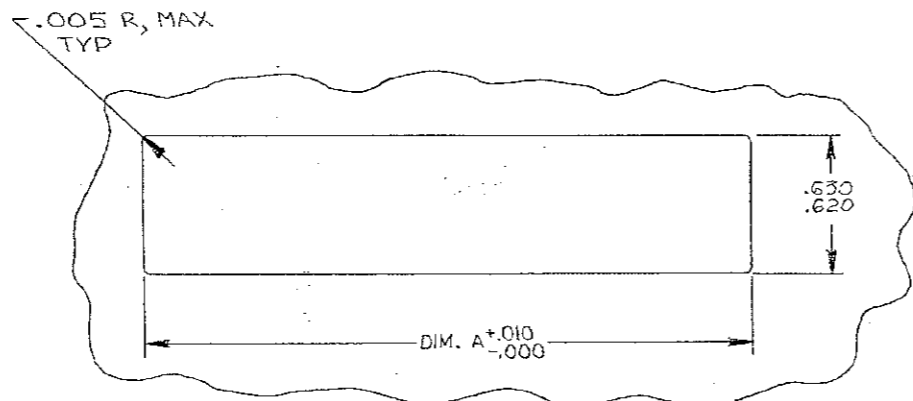
DRAWING MADE IN THIRD ANGLE PROJECTION

© COPYRIGHT 1979 BY AMP INCORPORATED, HARRISBURG, PA.
ALL INTERNATIONAL RIGHTS RESERVED. AMP INCORPORATED PRODUCTS
COVERED BY U. S. AND FOREIGN PATENTS AND/OR PATENTS PENDING.

REVISIONS					
P	F	ZONE/LTR	DESCRIPTION	DATE	APPROVED
G			OBSOLETE -1; ECN AA-5942	11-18	<i>[Signature]</i>
H			OBSOLETE -10; 0515-0319-02	1-03	RM



- 1. MATL: THERMOPLASTIC (NORYL).
- 2. TWO STRAIN RELIEFS REQUIRED PER ASSEMBLY.
- 3. .928 MAX HEIGHT AFTER COVERS HAVE BEEN ASSEMBLED TO CONNECTOR.
- 4. UNLESS OTHERWISE SPECIFIED ALL DIMENSIONS ARE FOR REFERENCE ONLY.



SUGGESTED PANEL CUTOUT

	PANEL THICKNESS IDENTIFICATION LETTER	DIM. B	POSN	DIM. A	PANEL THICKNESS	COLOR	PART NO
OBSOLETE	B	1.407	24	1.575	.090	BLACK	1-552962-0
	B	2.512	50	2.700	.090	BLACK	552962-3

UNLESS OTHERWISE SPECIFIED DIMENSIONS ARE IN INCHES. TOLERANCES ON: DECIMALS ± #/100 ANGLES ± #/10	CONTRACT NO 4-2-79		AMP INCORPORATED Harrisburg, Pa.	
	DR <i>[Signature]</i>	NAME STRAIN RELIEF, SNAP-IN, CHAMP-LOK		
MATERIAL 	CHK <i>[Signature]</i> 4/3/79	APPD <i>[Signature]</i> 4/1/79		
	APPD <i>[Signature]</i> 6/3/79	DSGN APPD		
FINISH <i>[Symbol]</i>	OTHER APPD	SIZE C	CODE IDENT NO 00779	DRAWING NO 552962
		SCALE 2-1	SHEET 1 OF 1	

WAS 1210-78-141

552962

X-ON Electronics

Largest Supplier of Electrical and Electronic Components

Click to view similar products for [Headers & Wire Housings](#) category:

Click to view products by [TE Connectivity](#) manufacturer:

Other Similar products are found below :

[892-18-020-10-001101](#) [58102-G61-06LF](#) [582553-1](#) [0009485154](#) [009176003701906](#) [0050291907](#) [LY20-4P-DT1-P1E-BR](#) [02.125.8002.8](#)
[609-3404](#) [61062-3](#) [61082-181009](#) [622-3653LF](#) [63453-116](#) [636-1030](#) [636-1427](#) [636-3427](#) [636-4007](#) [641938-9](#) [641991-4](#) [644827-2](#) [65817-](#)
[010LF](#) [65817-015LF](#) [65863-015LF](#) [66207-023LF](#) [67095-007LF](#) [67601157](#) [68648-049](#) [70.362.1628.0](#) [70-4210](#) [70-4226B](#) [70-4853B](#) [707-](#)
[5020](#) [707-5028](#) [71.350.2428.0](#) [71918-208LF](#) [71961-016LF](#) [733-134](#) [733-162](#) [754199-000](#) [760-3052](#) [787-8014-00](#) [79531-3000](#) [FCN-](#)
[360C032-B](#) [FCN-367T-T012/H](#) [FCN-723D010/2](#) [80.063.4001.1](#) [800-90-001-10-001000](#) [800-90-010-10-002000](#) [801-43-002-10-013000](#)
[801-43-006-10-002000](#)