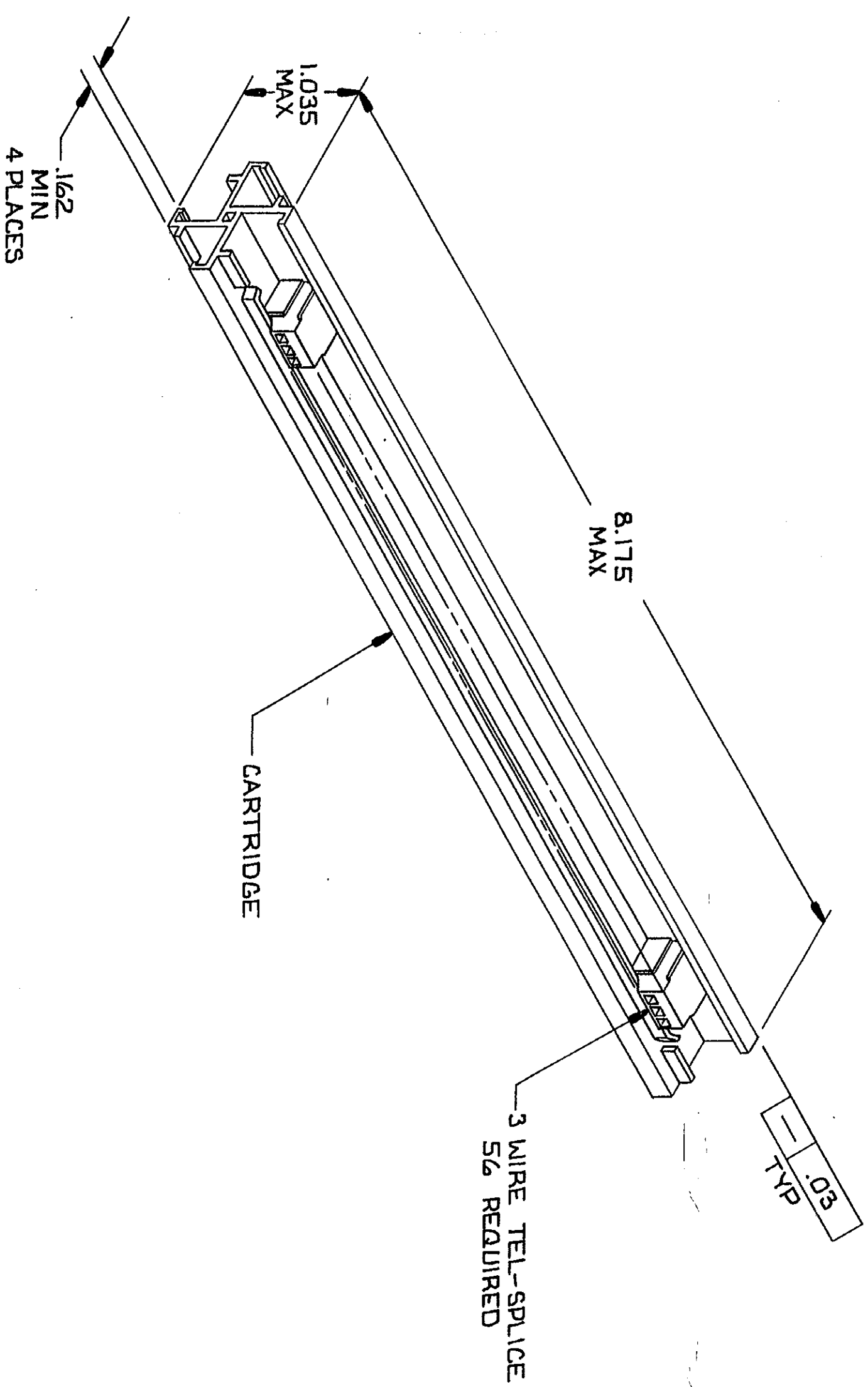


DRAWING MADE IN THIRD ANGLE PROJECTION
THIS DRAWING IS UNPUBLISHED. RELEASED FOR PUBLICATION
© COPYRIGHT 1980 BY AMP INCORPORATED, HARRISBURG, PA. ALL INTERNATIONAL RIGHTS RESERVED. AMP PRODUCTS MAY BE COVERED BY U.S. AND FOREIGN PATENTS AND/OR PATENTS PENDING.

LOC	DIST	REVISIONS	DATE	APPD
AA	24		7-10-89	
P	F	ZONE		
G		LTR		
		DESCRIPTION		
		REDWN & REV: EGN AA-6289		



△ MATERIAL: CARTRIDGE - RIGID PVC, WHITE.
HOUSINGS - POLYPROPYLENE, CLEAR
TERMINALS - TIN PLATED PHOSPHOR BRONZE.
2 WIRE RANGE: 19-26 AWG SOLID COPPER
CONDUCTORS.

UNLESS OTHERWISE SPECIFIED DIMENSIONS ARE IN INCHES TOLERANCES ON		DR	LARRY H. SMITH	7-10-89	NAME	AMP		AMP INCORPORATED	HARRISBURG, PA. 17105
2 PL DEC	±	CHK	<i>L. Smith</i>	8/10/89					
3 PL DEC	±	APPD	<i>L. Smith</i>	9-1-89					
ANGLES	±	APPD	<i>L. Smith</i>	9-1-89					
MATERIAL		PRODUCT SPEC							
FINISH		APPLICATION SPEC.							
		WEIGHT							

STANDARD	UNFILLED	552965-4
	FILLED	552965-2
DESCRIPTION	PART NO	

CARTRIDGE ASSEMBLY,
3 WIRE, TEL-SPLICE

SIZE	FSCM NO	DRAWING NO	SHEET
C	00779	552965-2	1 OF 1
SCALE	1:1		

CUSTOMER DRAWING

552965-2

NOT the LATEST REVISION

X-ON Electronics

Largest Supplier of Electrical and Electronic Components

Click to view similar products for [Terminals](#) category:

Click to view products by [TE Connectivity](#) manufacturer:

Other Similar products are found below :

[00-054007-01074-6](#) [00-054007-70206-1](#) [00-054007-70210-8](#) [00-054007-70217-7](#) [00-054007-70226-9](#) [00-054007-70228-3](#) [00-054007-70248-1](#) [00-054007-70256-6](#) [00-054007-70301-3](#) [00-054007-70316-7](#) [0-0320562-0](#) [00-054007-49560-4](#) [00-054007-70209-2](#) [00-054007-70225-2](#) [00-054007-70227-6](#) [00-054007-70231-3](#) [00-054007-70241-2](#) [00-054007-70242-9](#) [00-054007-70244-3](#) [00-054007-70246-7](#) [00-054007-70263-4](#) [00-054007-70288-7](#) [00-054007-70290-0](#) [00-054007-70300-6](#) [00-054007-70304-4](#) [01-2065-1-0216](#) [01-2900-1-04412](#) [00581P0075](#) [600TS-10](#) [60205-1](#) [604200-1](#) [605601-1](#) [60598-1-CUT-TAPE](#) [61314-6-C](#) [61810-3](#) [61-S](#) [61-SN](#) [626-0194](#) [62-NBM-A](#) [62-SN](#) [62-SP](#) [63-S](#) [640179-1](#) [M55155/059I03](#) [M55155/079C01](#) [M55155/099H02](#) [M55155/109H01](#) [M55155/109H02](#) [M55155/12XH05](#) [M55155/16XH02](#)