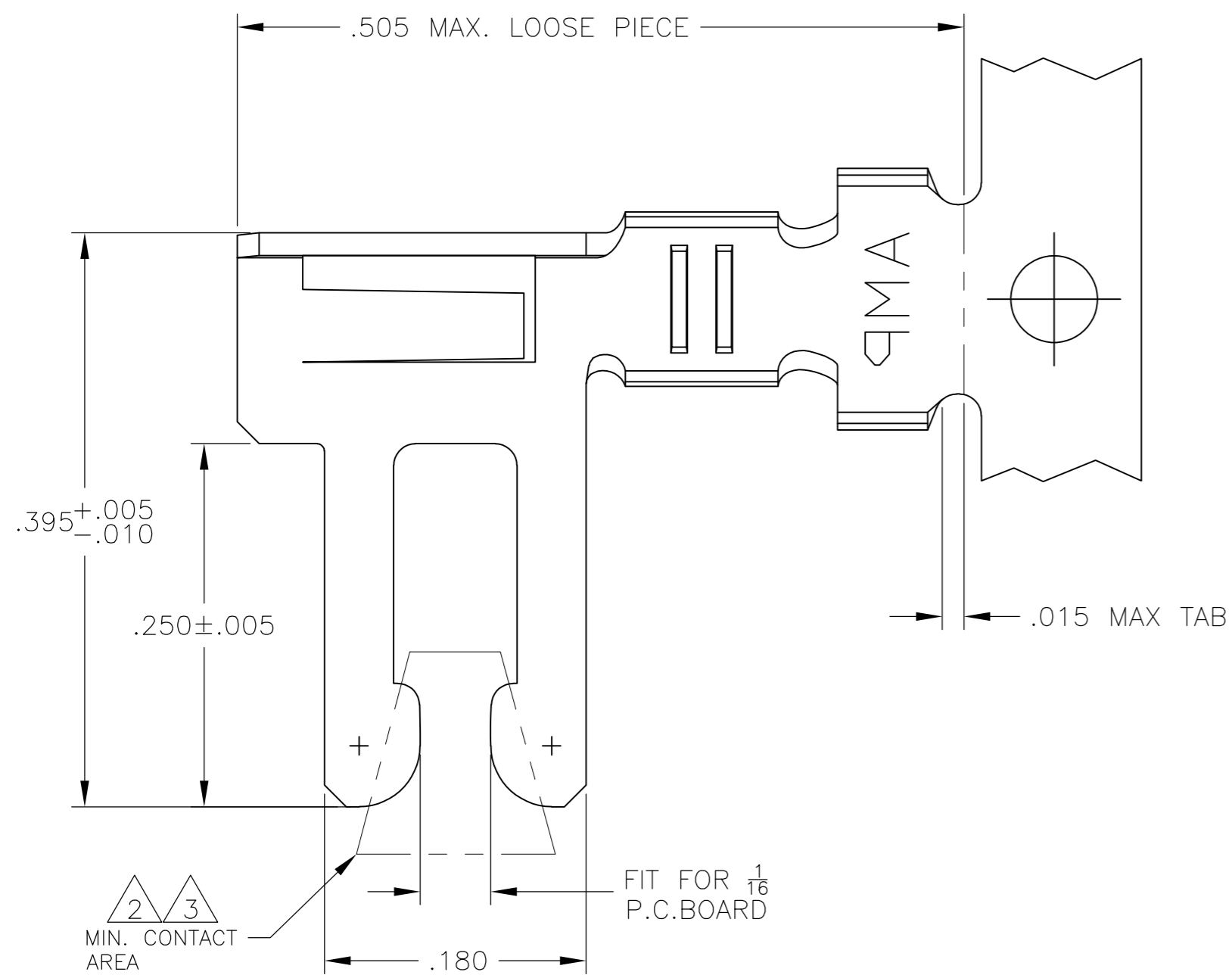
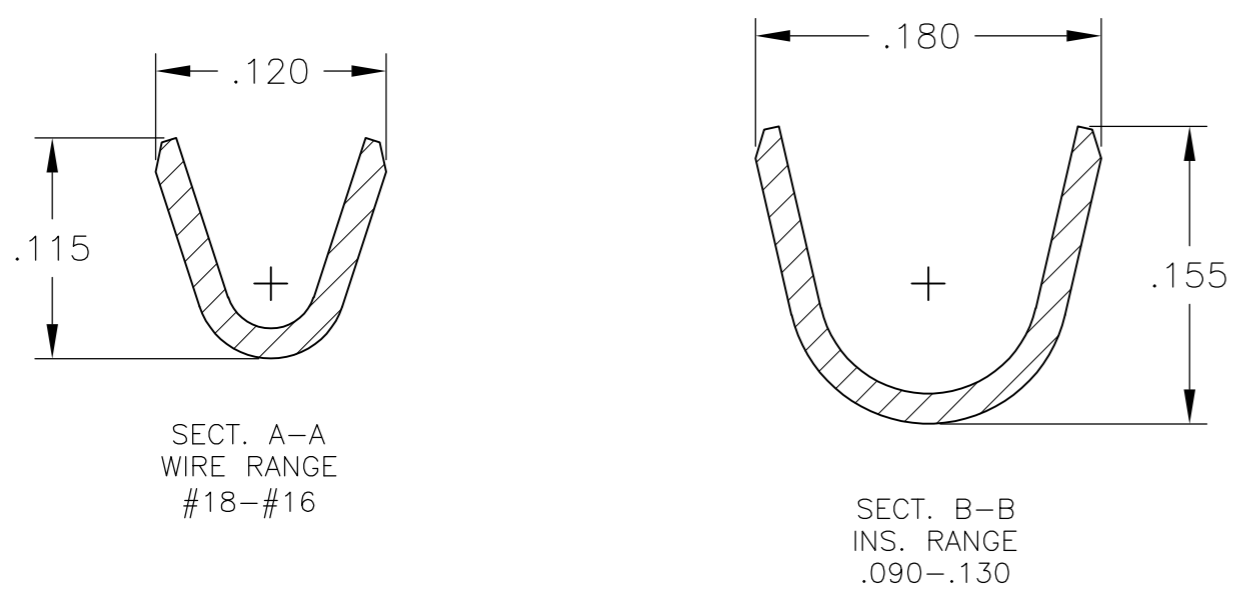
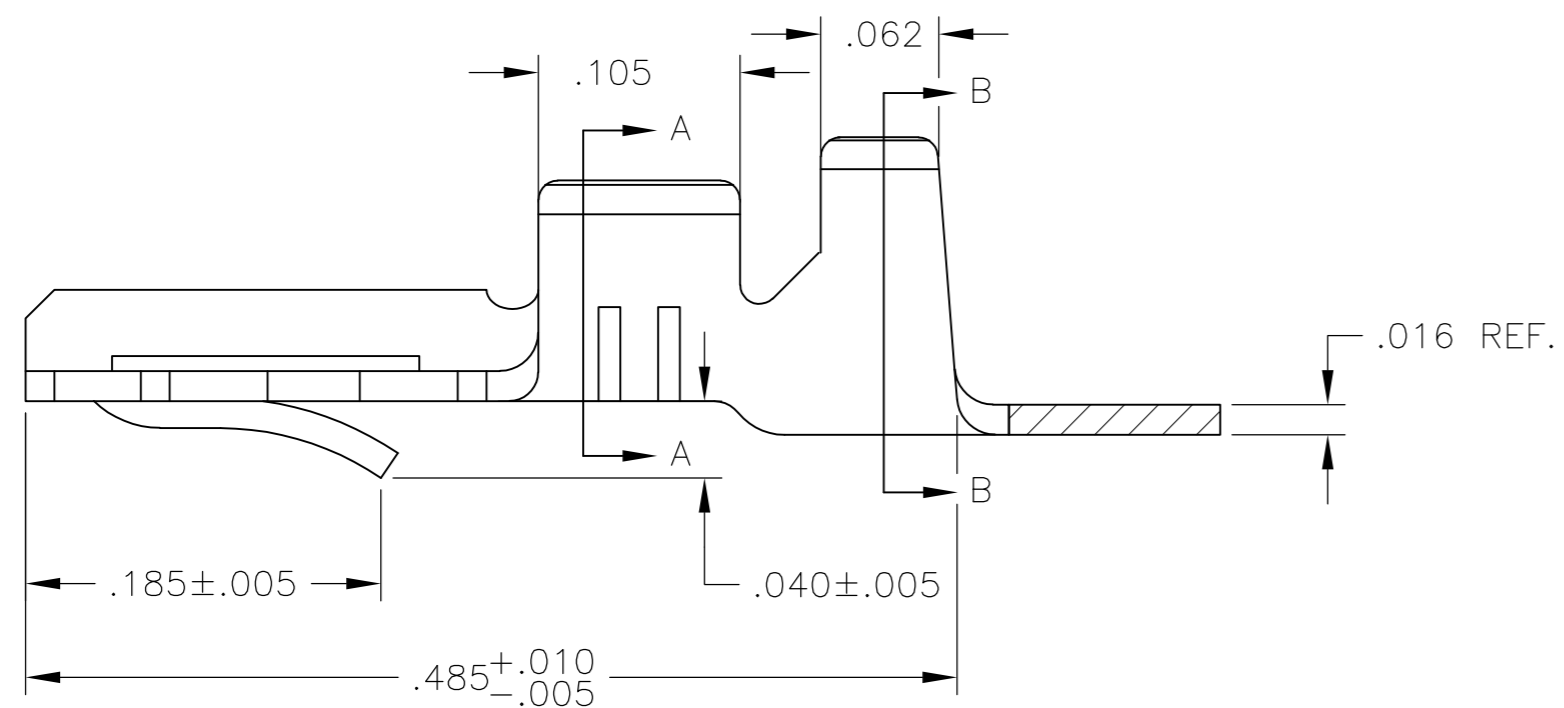


THIS DRAWING IS UNPUBLISHED. RELEASED FOR PUBLICATION
 © COPYRIGHT BY TYCO ELECTRONICS CORPORATION. ALL RIGHTS RESERVED.

LOC	DIST	REVISIONS			
P	LTR	DESCRIPTION	DATE	DWN	APVD
AD	00	M	ECO-07-10819	09MAY07	MB MM



- △1 TO BE USED IN HOUSING WITH INSULATION CAVITY SIZE OF .128x.155
- △2 .000030 GOLD OVER .000050 NICKEL IN CONTACT AREA .000050 NICKEL ON REMAINDER OF CONTACT.
- △3 .000015 GOLD OVER .000050 NICKEL IN CONTACT AREA REMAINDER OF CONTACT .000050 NICKEL.



OBSOLETE				
5-530501-5	5-530502-1	TIN PLATE OVER NICKEL	PHOS. BRONZE	-
OBSOLETE	530501-7	530502-3	△3 PHOS. BRONZE	530501-4
OBSOLETE	530501-6	530502-2	△2 PHOS. BRONZE	530501-3
530501-5	530502-1	TIN/LEAD PL OVER NICKEL	PHOS. BRONZE	530501-2
L.R FEED FOR MINI-APPL.	L.P.NO.REF.	FINISH	MATERIAL	STRIP P/N, R-L FEED STD. REELING

THIS DRAWING IS A CONTROLLED DOCUMENT.		DWN -	Tyco Electronics Corporation Harrisburg, Pa 17105-3608	
DIMENSIONS: INCHES	TOLERANCES UNLESS OTHERWISE SPECIFIED:	CHK M MILLER	NAME DUO-TYNE FLAG CONTACT 18-16 AWG, WIRE	
	0 PLC ± -	APVD M MILLER	SIZE A2	CAGE CODE 00779
	1 PLC ± -	PRODUCT SPEC -	DRAWING NO C=530501	RESTRICTED TO -
	2 PLC ± .010	APPLICATION SPEC -	SCALE 10:1	SHEET 1 OF 1
	3 PLC ± -	WEIGHT -	REV M	
MATERIAL SEE TABLE	FINISH SEE TABLE	CUSTOMER DRAWING		

X-ON Electronics

Largest Supplier of Electrical and Electronic Components

Click to view similar products for [Standard Card Edge Connectors](#) category:

Click to view products by [TE Connectivity](#) manufacturer:

Other Similar products are found below :

[CR7E-30DB-3.96E\(72\)](#) [6364499-1](#) [6565204-6](#) [PKC-156](#) [1437274-4](#) [147889-1](#) [1489165-4](#) [EBT15622B2X](#) [1-582587-1](#) [284-0102-12100](#)
[286-0052-12101A](#) [306022901000000](#) [307-012-502-202](#) [307-056-520-300](#) [2129318-1](#) [245-062-520-350](#) [287-0032-12101](#) [306-028-525-102](#)
[307-072-526-202](#) [345-060-559-303](#) [392-008-559-201](#) [534671-1](#) [341-240-317](#) [345-044-500-300](#) [346-240-318](#) [395-100-524-300](#) [09-07-2032](#)
[10035388-802LF](#) [10115859-011LF](#) [10122859-009LF](#) [10127905-B04B24BLF](#) [530555-1](#) [5-678046-1](#) [73726-0005](#) [66308-1](#) [1-1437275-6](#)
[PEC-07-02-T-S-A](#) [346-014-520-801](#) [307-048-502-202](#) [CE100F22-9-C](#) [CE100F26-7-C](#) [CE100F28-3-D](#) [CE156F18-9-C](#) [CE156F22-5-D](#)
[CE156F22-9-C](#) [CT100F22-2-D](#) [CT100F22-3-D](#) [CT100F24-2-D](#) [CT100F24-3-D](#) [CT100F24-6-C](#)