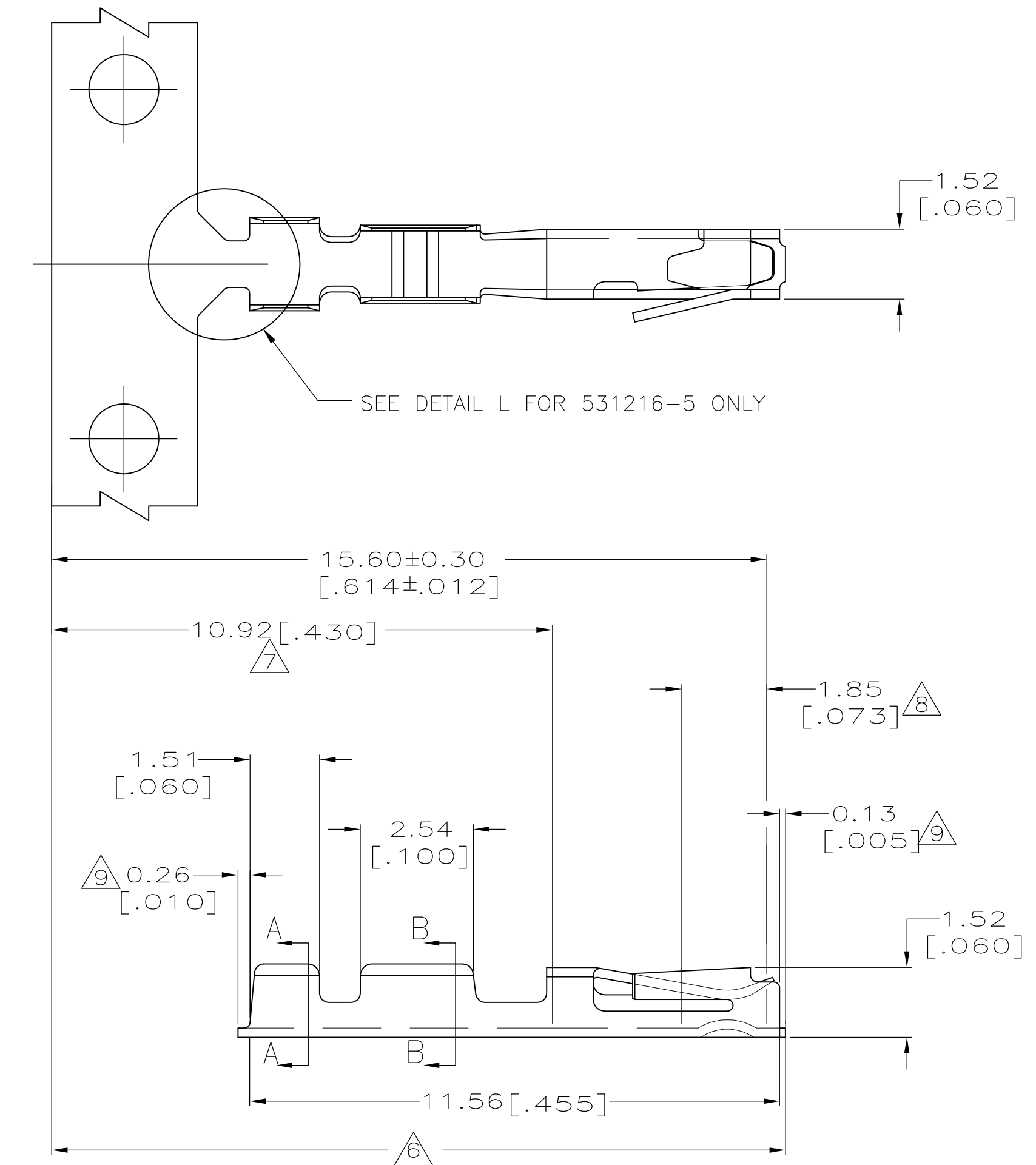
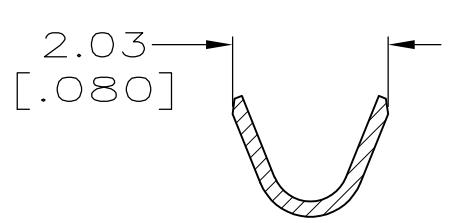


THIS DRAWING IS UNPUBLISHED. RELEASED FOR PUBLICATION  
 © COPYRIGHT BY TYCO ELECTRONICS CORPORATION. ALL RIGHTS RESERVED.

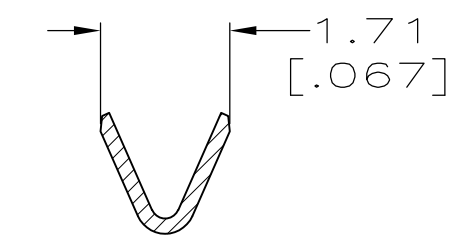
LOC		DIST		REVISIONS			
P	LTR	DESCRIPTION		DATE	DWN	APVD	
	A	REV PER EC 0S12-0647-04		10MAY05	JA	SF	
	A1	REVISED PER ECO-09-024927		10NOV09	KK	AEG	



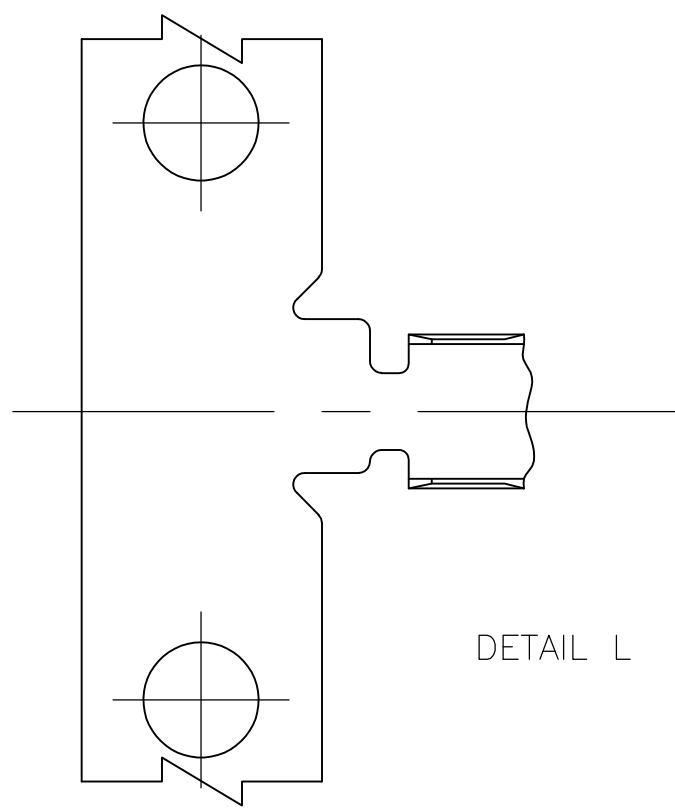
1. WIRE RANGE 22-26 AWG.
2. INSULATION RANGE 0.91-1.37 [.036-.054] DIA.
3. PREPLATED 0.00127 [.000050] MIN MATTE TIN IN ZONES I & II, 0.000762 [.000030] MIN GOLD OVER 0.000762 [.000030] MIN NICKEL INLAY IN ZONE III.
4. PREPLATED 0.00127 [.000050] MIN MATTE TIN IN ZONES I & II, 0.00127 [.000050] MIN GOLD OVER 0.000762 [.000030] MIN NICKEL INLAY IN ZONE III.
5. PHOSPHOR BRONZE.
6. ZONE I (OUTSIDE SURFACES).
7. ZONE II (INSIDE SURFACES).
8. ZONE III (INSIDE SURFACES).
9. MAXIMUM CUTOFF.
10. OBSOLETE PARTS: OBSOLETE CIS STREAMLINING PER D.RENAUD/D.SINISI



SECTION A-A



SECTION B-B



DETAIL L

10 OBSOLETE	4	5531216-6	5531216-5
	4	5531216-4	5531216-3
	3	5531216-2	5531216-1
		FINISH	LOOSE PIECE PART NO
			STRIP PART NO

THIS DRAWING IS A CONTROLLED DOCUMENT.		DWN J. ALCORTA - DOCK5 10MAY05	Tyco Electronics Corporation Harrisburg, PA 17105-3608	
DIMENSIONS: mm [INCHES]		CHK A. FRANTUM 10MAY05	NAME S. FLICKINGER	
TOLERANCES UNLESS OTHERWISE SPECIFIED:		APVD S. FLICKINGER 10MAY05	PRODUCT SPEC 108-25031	
0 PLC ± -		APPLICATION SPEC 114-25021	SIZE A2	CAGE CODE 00779
1 PLC ± -		WEIGHT -	DRAWING NO C=5531216	RESTRICTED TO -
2 PLC ± -		CUSTOMER DRAWING	SCALE 4:1	SHEET 1 OF 1
3 PLC ± 0.13 [.005]			REV A1	
4 PLC ± -				
ANGLES ± -				
FINISH -				

5531216

A

## X-ON Electronics

Largest Supplier of Electrical and Electronic Components

*Click to view similar products for [Headers & Wire Housings](#) category:*

*Click to view products by [TE Connectivity](#) manufacturer:*

Other Similar products are found below :

[892-18-020-10-001101](#) [58102-G61-06LF](#) [582553-1](#) [0009485154](#) [009176003701906](#) [0050291907](#) [LY20-4P-DT1-P1E-BR](#) [02.125.8002.8](#)  
[609-3404](#) [61062-3](#) [61082-181009](#) [622-3653LF](#) [63453-116](#) [636-1030](#) [636-1427](#) [636-3427](#) [636-4007](#) [641938-9](#) [641991-4](#) [644827-2](#) [65817-010LF](#) [65817-015LF](#) [65863-015LF](#) [66207-023LF](#) [67095-007LF](#) [67601157](#) [68645-018](#) [68648-049](#) [70.362.1628.0](#) [70-4210](#) [70-4226B](#) [70-4853B](#) [707-5020](#) [707-5028](#) [71.350.2428.0](#) [71918-208LF](#) [71961-016LF](#) [733-134](#) [733-162](#) [754199-000](#) [760-3052](#) [787-8014-00](#) [79531-3000](#)  
[FCN-360C032-B](#) [FCN-367T-T012/H](#) [FCN-723D010/2](#) [80.063.4001.1](#) [800-90-001-10-001000](#) [800-90-010-10-002000](#) [801-43-002-10-013000](#)