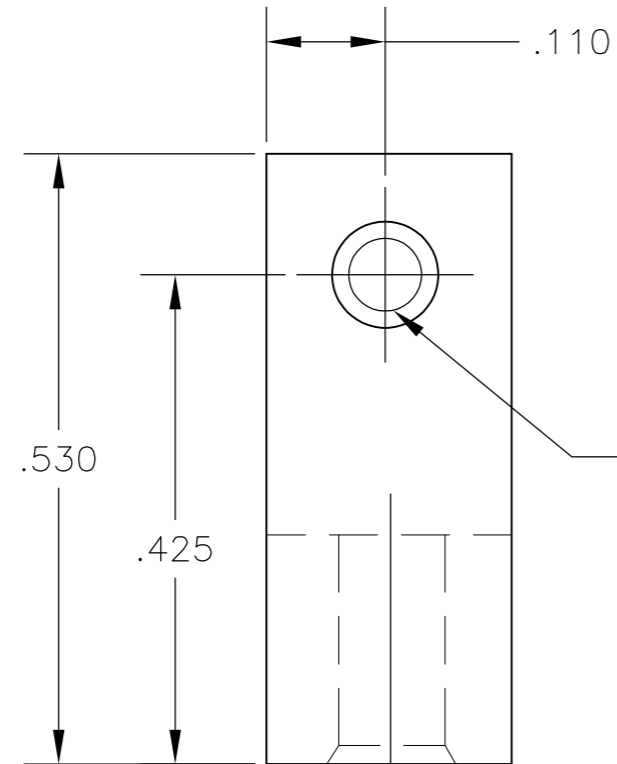
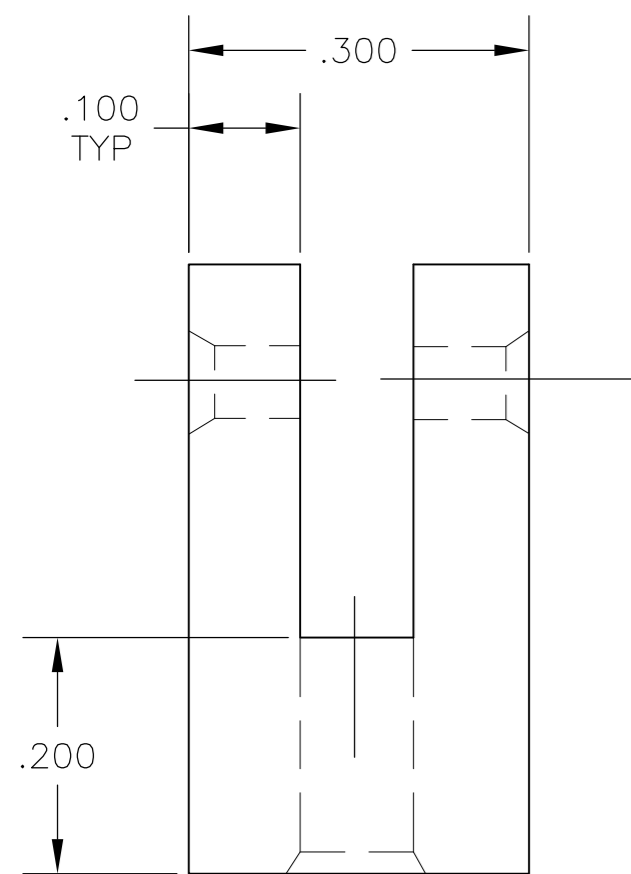
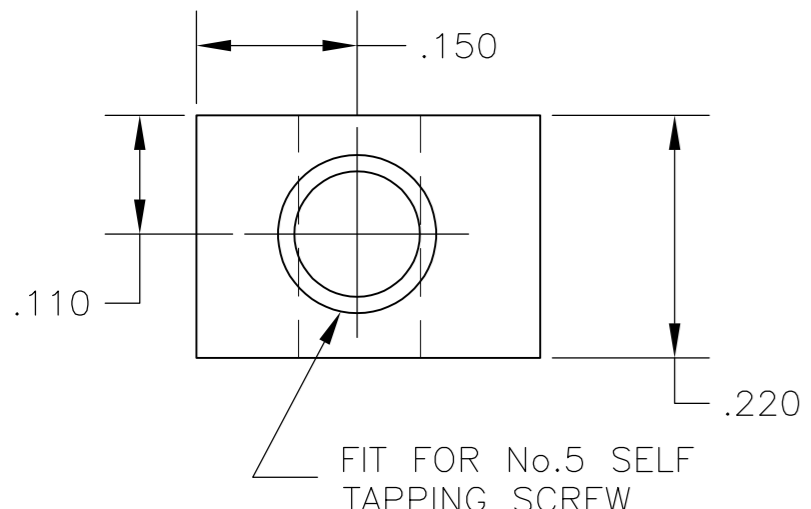


THIS DRAWING IS UNPUBLISHED. RELEASED FOR PUBLICATION  
 © COPYRIGHT - By - ALL RIGHTS RESERVED.

LOC	DIST	REVISIONS					
AD	00	P	LTR	DESCRIPTION	DATE	DWN	APVD
		H1		REVISED PER ECO-13-014537	13SEP2013	KH	MM



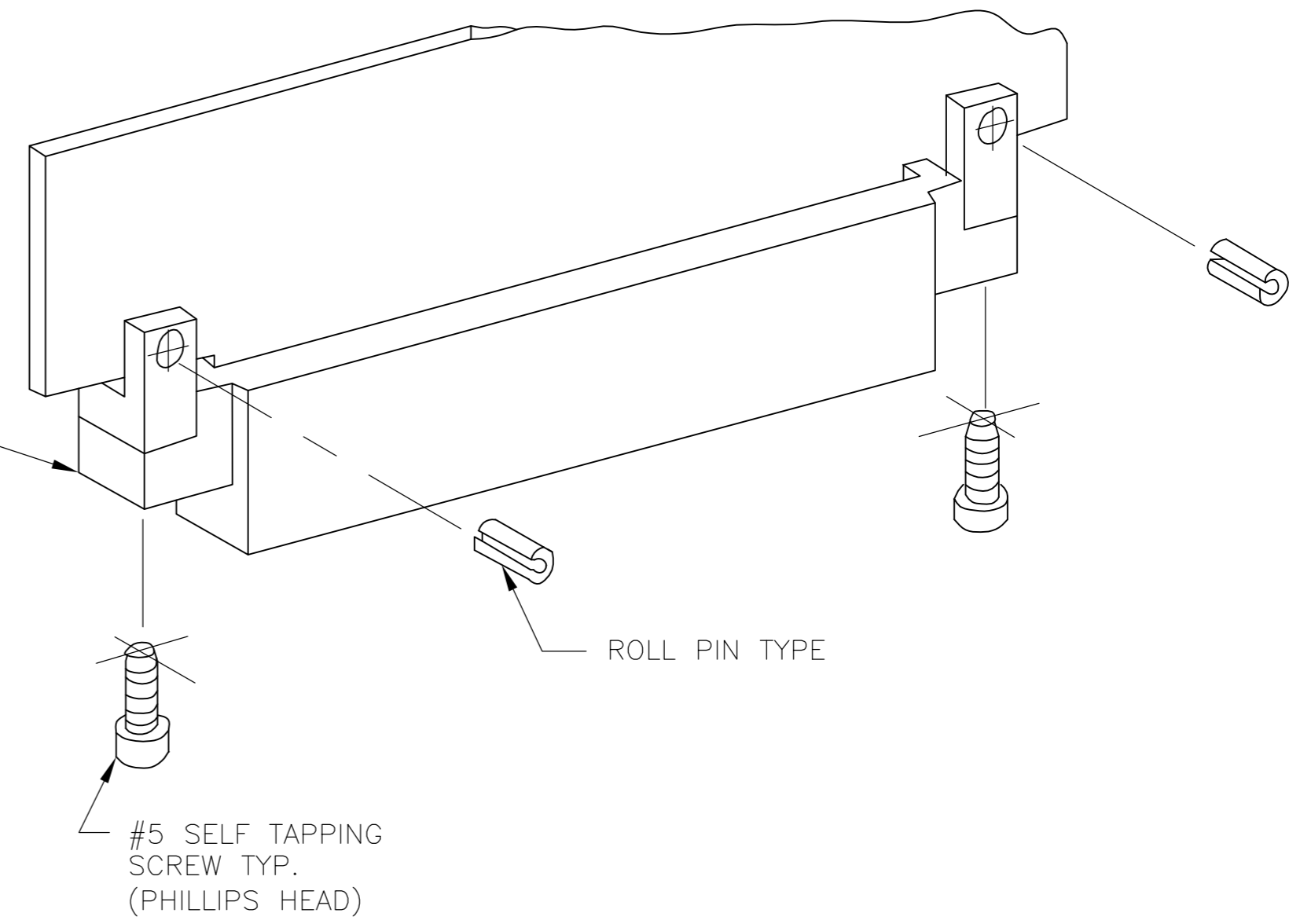
FIT FOR 1/16" DIA, ROLL PIN (531250-1 AND -2)



FIT FOR No.5 SELF TAPPING SCREW

- SUPERSEDED  $\triangle 1$  531250-1 KIT INCLUDES: 2=531250-2, 2=SCREWS #5 X 3/8", 2=ROLL PINS 1/16" X 1/4"
- $\triangle 2$  531250-2 AS SHOWN (BOARD RETAINER ONLY)
- OBSOLETE  $\triangle 3$  530250-3 KIT: SAME AS 530250-2 EXCEPT HOLE DIA IS .125 IN PLACE OF FIT FOR 1/16" ROLL PIN
- SUPERSEDED  $\triangle 4$  530250-4 KIT INCLUDES: 2=531250-2, 2=SCREWS #5 X 7/16", 2=ROLL PINS 1/16" X 1/4"
- $\triangle 5$  5-530250-4 KIT (LEAD FREE) INCLUDES: 2=531250-2, 2 SCREWS #5 X 7/16", 2=ROLL PINS 1/16" X 1/4"

HOUSING REF  
 AMP LEAF  
 TWIN LEAF  
 MOD FORK  
 AMP TAB



SUPERSEDED BY 5-531250-4	$\triangle 5$	5-531250-4
	$\triangle 4$	531250-4
OBSOLETE	$\triangle 3$	531250-3
	$\triangle 2$	531250-2
SUPERSEDED BY 5-531250-4	$\triangle 1$	531250-1
		DESCRIPTION
		PART NO

DIMENSIONS:		TOLERANCES UNLESS OTHERWISE SPECIFIED:		DWN		CHK		APVD		NAME	
INCHES		0 PLC	± -	A.M.SHARPE		RACILLA		RACILLA		TE Connectivity	
		1 PLC	± -	11JULY78		RACILLA		RACILLA		BOARD RETAINER, CARD EDGE, I/O CONN	
		2 PLC	± -			RACILLA		RACILLA			
		3 PLC	± .010			RACILLA		RACILLA			
		4 PLC	± -			RACILLA		RACILLA			
		ANGLES	± -			RACILLA		RACILLA			
		FINISH	-			RACILLA		RACILLA			
MATERIAL		FINISH		WEIGHT		SIZE		CAGE CODE		DRAWING NO	
NYLON				-		A2		00779		C=531250	
				CUSTOMER DRAWING		SCALE		SHEET		REV	
						6:1		1 of 1		H1	

## X-ON Electronics

Largest Supplier of Electrical and Electronic Components

*Click to view similar products for [Standard Card Edge Connectors](#) category:*

*Click to view products by [TE Connectivity](#) manufacturer:*

Other Similar products are found below :

[CR7E-30DB-3.96E\(72\)](#) [6364499-1](#) [6565204-6](#) [PKC-156](#) [1437274-4](#) [147889-1](#) [1489165-4](#) [EBT15622B2X](#) [1-582587-1](#) [284-0102-12100](#)  
[286-0052-12101A](#) [306022901000000](#) [307-012-502-202](#) [307-056-520-300](#) [2129318-1](#) [245-062-520-350](#) [287-0032-12101](#) [306-028-525-102](#)  
[307-072-526-202](#) [345-060-559-303](#) [392-008-559-201](#) [534671-1](#) [341-240-317](#) [345-044-500-300](#) [346-240-318](#) [395-100-524-300](#) [09-07-2032](#)  
[10035388-802LF](#) [10115859-011LF](#) [10122859-009LF](#) [10127905-B04B24BLF](#) [530555-1](#) [5-678046-1](#) [73726-0005](#) [66308-1](#) [1-1437275-6](#)  
[PEC-07-02-T-S-A](#) [346-014-520-801](#) [307-048-502-202](#) [CE100F22-9-C](#) [CE100F26-7-C](#) [CE100F28-3-D](#) [CE156F18-9-C](#) [CE156F22-5-D](#)  
[CE156F22-9-C](#) [CT100F22-2-D](#) [CT100F22-3-D](#) [CT100F24-2-D](#) [CT100F24-3-D](#) [CT100F24-6-C](#)