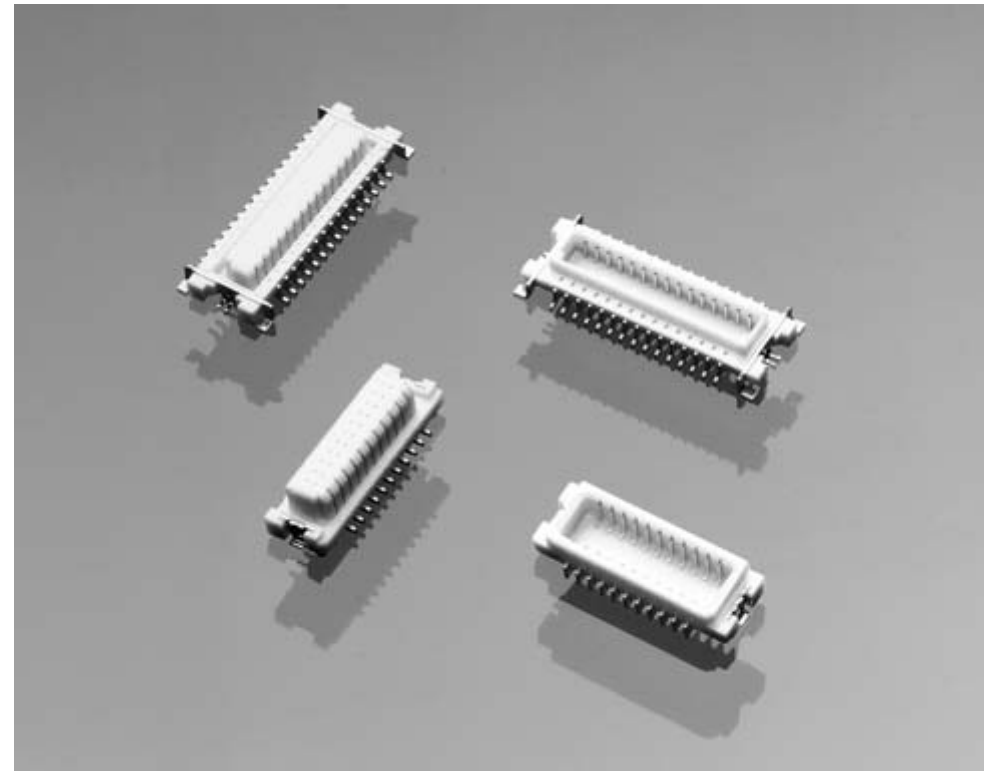


Product Facts

- 0.8 [.031] fine pitch SMT connectors for board-to-board interconnections
- Low profile parallel board stacking heights as low as 3.0 [.118]
- Available packaged in tape and reel for automatic placement per EIAJ standards
- Offered with tin or gold plating on mating surfaces
- Solder pegs included for anti-peeling
- Surface areas provided to accommodate vacuum nozzles

0.8mm Fine Stack and Fine Mate Connectors



Note: Fine Stack connectors are shown on top; Fine Mate connectors are shown at the bottom.

The Tyco Electronics 0.8mm Fine Stack and Fine Mate product lines are economical, surface-mount, fine pitch board-to-board connectors. Both product lines have been developed to meet the latest needs of the electronic industry for high density packaging.

These connectors offer a 0.8 [.031] contact pitch and parallel board stacking heights ranging from 3.0 [.118] to 4.5 [.177]. They are ideally suited for applications requiring miniaturization, such as cellular phones, pagers, notebook computers, camcorders and other consumer electronics.

Both Fine Stack and Fine Mate connectors were designed for economical, automatic placement onto SMT printed circuit boards. The plug and cap designs include surface areas to accommodate "pick and place" vacuum nozzles without secondary covers. All products are "tape and reel" packaged, conforming to EIAJ standards.

0.8mm Fine Stack and Fine Mate Connectors

**3.0 – 9.0 [.118 – .354]
Stacking Height**

Material and Finish

Housing — 6T nylon, high heat resistant resin

Contacts — Phosphor bronze, plated gold or tin on contact area (see chart), tin or gold on solder leads (see chart), with entire contact underplated nickel

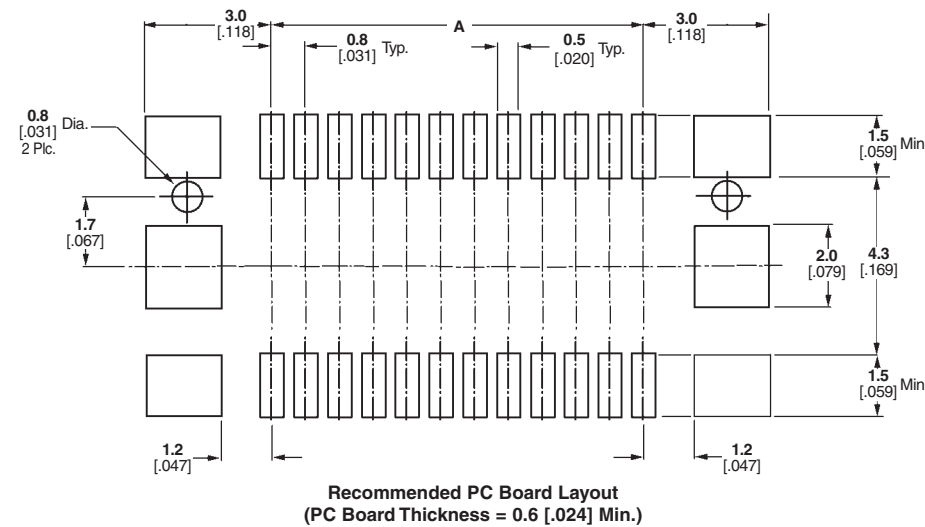
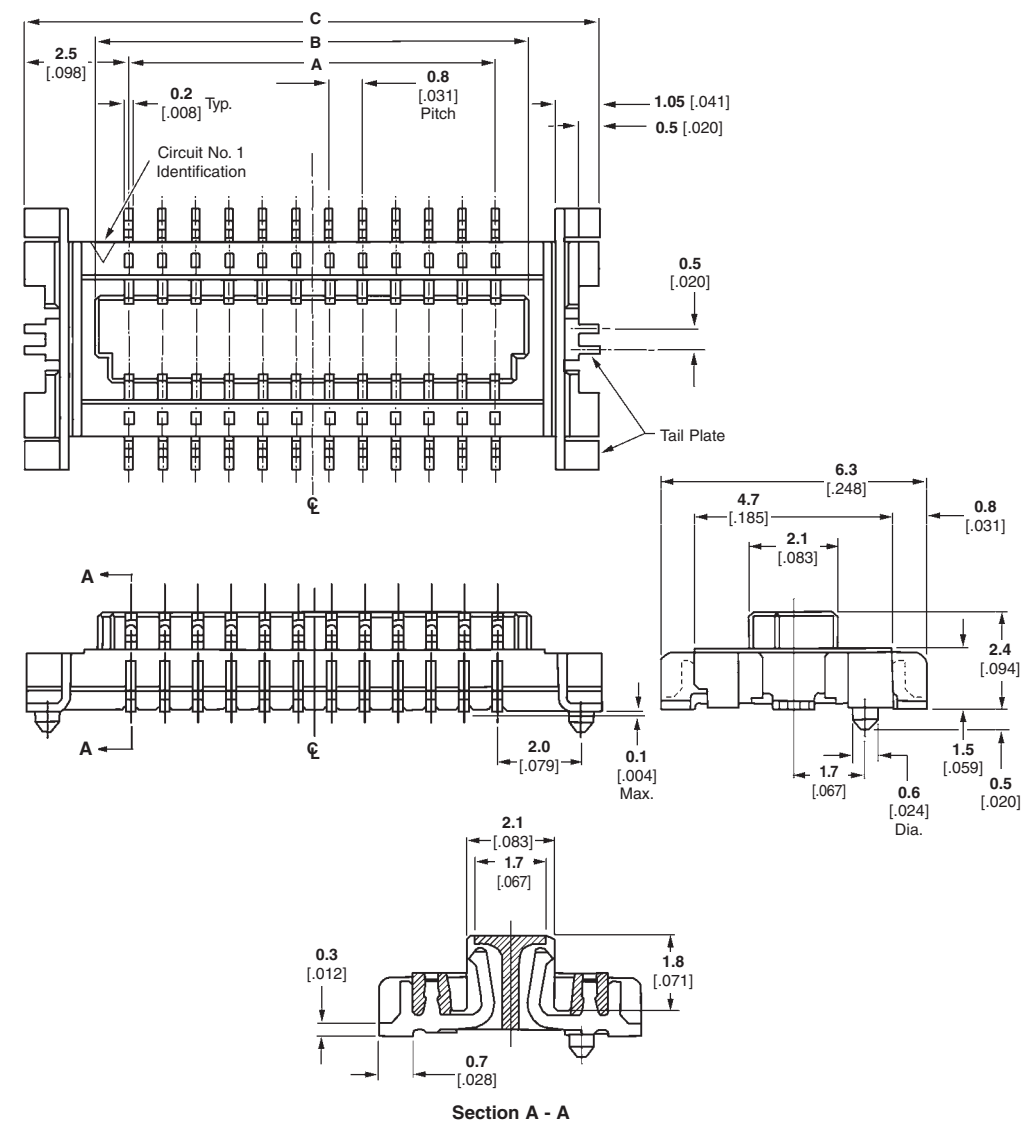
Related Product Data

Mating Caps — pages 66 & 67

Technical Documents (page 113)

Product Specifications
108-5424, 108-5466

0.8mm Fine Stack Plugs, 0.8 [.031] Pitch



0.8mm Fine Stack Plugs, 0.8 [.031] Pitch (Continued)

No. of Positions	Dimensions			Contact Plating	With Boss	Keying	With Pickup Tape	Part Number
	A	B	C					
12	4.0 .157	5.6 .220	9.0 .354	Tin	Yes	Yes	No	1-179396-2
				Tin	No	Yes	No	1-179400-2
				Gold	Yes	Yes	No	1-179701-2
				Gold	No	Yes	No	1-179702-2
14	4.8 .189	6.4 .252	9.8 .386	Tin	Yes	Yes	No	1-179396-4
				Tin	No	Yes	No	1-179400-4
				Gold	Yes	Yes	No	1-179701-4
				Gold	No	Yes	No	1-179702-4
16	5.6 .217	7.2 .283	10.6 .417	Tin	Yes	Yes	No	1-179396-6
				Tin	No	Yes	No	1-179400-6
				Gold	Yes	Yes	No	1-179701-6
				Gold	No	Yes	No	1-179702-6
24	8.8 .346	10.4 .409	13.8 .543	Tin	Yes	Yes	No	2-179396-4
				Tin	No	Yes	No	2-179400-4
				Gold	Yes	Yes	No	2-179701-4
				Gold	No	Yes	No	2-179702-4
30	11.2 .441	12.8 .504	16.2 .638	Tin	Yes	Yes	No	3-179396-0
				Tin	No	Yes	No	3-179400-0
				Gold	Yes	Yes	No	3-179701-0
				Gold	No	Yes	No	3-179702-0
				Tin	Yes	No	No	3-917299-0
				Tin	No	No	No	3-917293-0
34	12.8 .504	14.4 .567	17.8 .701	Tin	Yes	No	No	3-917299-4
				Tin	No	No	No	3-917293-4
				Tin	Yes	Yes	No	4-179396-0
40	15.2 .598	16.8 .661	20.2 .795	Tin	No	Yes	No	4-179400-0
				Gold	Yes	Yes	No	4-179701-0
				Gold	No	Yes	No	4-179702-0
50	19.2 .756	20.8 .819	24.2 .953	Tin	Yes	Yes	No	5-179396-0
				Gold	Yes	Yes	No	5-179701-0

Note: Part Numbers are RoHS compliant.

0.8mm Fine Stack and Fine Mate Connectors

3.0 [.118] Stacking Height

Material and Finish

Housing — 6T nylon, high heat resistant resin

Contacts — Phosphor bronze, plated gold or tin on contact area (see chart), tin or gold on solder leads (see chart), with entire contact underplated nickel

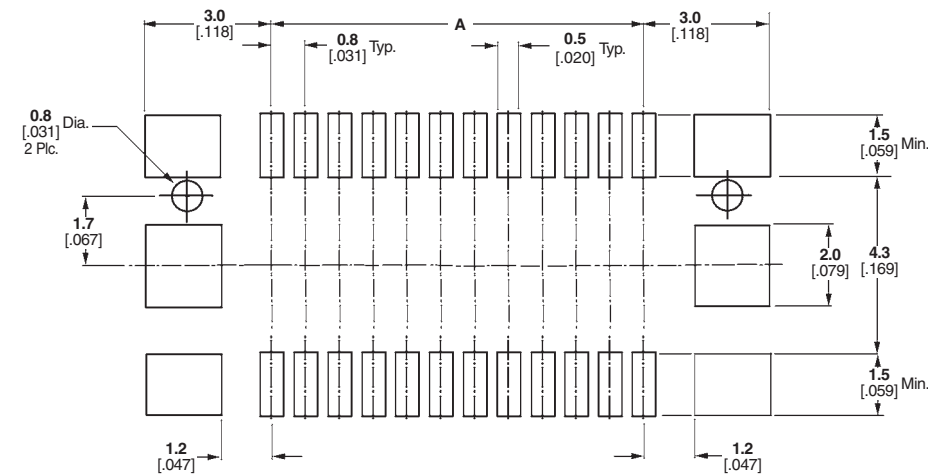
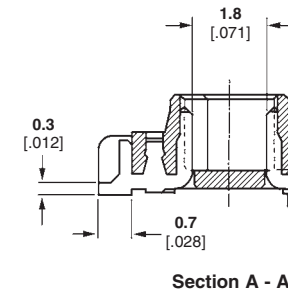
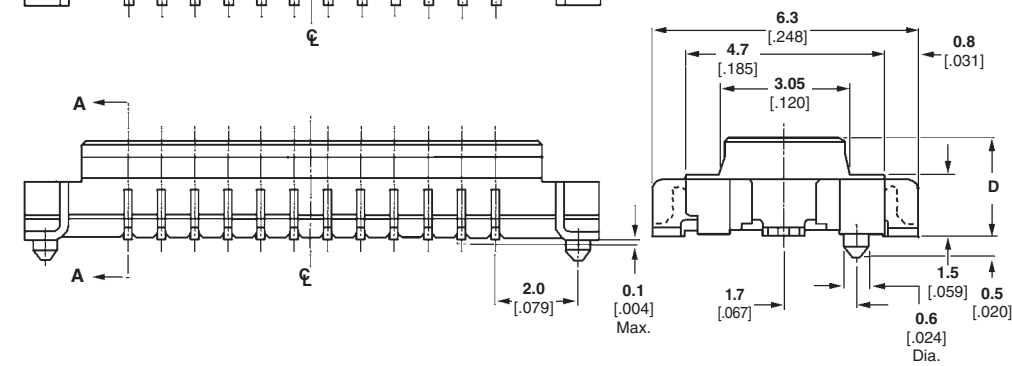
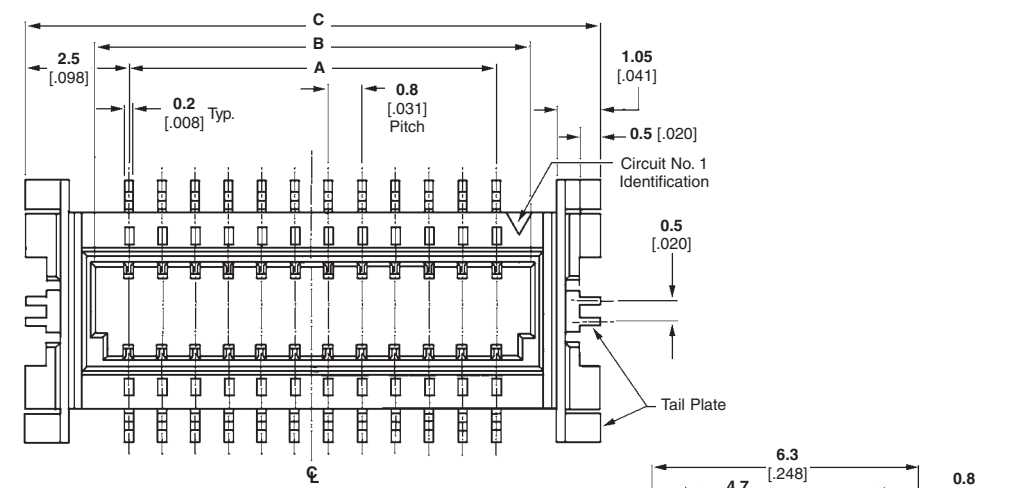
Related Product Data

Mating Plugs — pages 64 & 65

Technical Documents (page 113)

Product Specifications
108-5424, 108-5466

0.8mm Fine Stack Caps (Receptacles), 0.8 [.031] Pitch



Recommended PC Board Layout
(PC Board Thickness = 0.6 [.024] Min.)

0.8mm Fine Stack Caps (Receptacles), 0.8 [.031] Pitch (Continued)

No. of Positions	Dimensions				Stack Height	Contact Plating	With Boss	Keying	With Pickup Tape	Part Number						
	A	B	C	D												
12	4.0 .157	5.6 .220	9.0 .354	2.4 .094	3.0 .118	Tin	Yes	Yes	No	1-179397-2						
						Tin	No	Yes	No	1-179403-2						
						Gold	No	Yes	No	1-1871238-2						
				4.4 .173	5.0 .197	9.0 .354	2.4 .094	3.0 .118	Tin	Yes	Yes	No	1-6376826-2			
									Tin	Yes	Yes	No	1-6376038-2			
									Tin	No	Yes	No	1-6473725-2			
									Tin	No	Yes	No	1-1827815-2			
				14	4.8 .189	6.4 .252	9.8 .386	2.4 .094	3.0 .118	Tin	Yes	Yes	No	1-179397-4		
										Tin	No	Yes	No	1-179403-4		
										Gold	Yes	Yes	No	1-179703-4		
Gold	No	Yes	No							1-179704-4						
Tin	Yes	Yes	No							1-179397-6						
Tin	No	Yes	No							1-179403-6						
16	5.6 .217	7.2 .283	10.6 .417	2.4 .094	3.0 .118	Gold	Yes	Yes	No	1-179703-6						
						Gold	No	Yes	No	1-179704-6						
						Tin	Yes	Yes	No	2-179397-4						
						Tin	No	Yes	No	2-179403-4						
						Gold	Yes	Yes	No	2-179703-4						
						Gold	No	Yes	No	2-179704-4						
24	8.8 .346	10.4 .409	13.8 .543	2.4 .094	3.0 .118	Tin	Yes	Yes	No	3-179397-0						
						Tin	No	Yes	No	3-179403-0						
						Gold	Yes	Yes	No	3-179703-0						
						Gold	No	Yes	No	3-179704-0						
						Tin	No	No	No	3-917294-0						
						Tin	Yes	No	No	3-917300-0						
						Tin	Yes	Yes	Yes	3-1565909-0						
						30	11.2 .441	12.8 .504	16.2 .638	2.4 .094	3.0 .118	Tin	Yes	Yes	Yes	3-6612118-0
												Tin	Yes	Yes	No	3-6376826-0
												Tin	Yes	Yes	No	3-6565907-0
Tin	Yes	Yes	No	3-6376038-0												
Tin	No	Yes	No	3-6473725-0												
Tin	Yes	Yes	No	3-6565239-0												
Tin	Yes	Yes	No	3-6473294-0												
Tin	No	No	No	3-917294-4												
34	12.8 .504	14.4 .567	17.8 .701	2.4 .094	3.0 .118	Tin	Yes	No	No	3-917300-4						
						Tin	Yes	Yes	No	4-179397-0						
						Tin	No	Yes	No	4-179403-0						
						Gold	Yes	Yes	No	4-179703-0						
40	15.2 .598	16.8 .661	20.2 .795	2.4 .094	3.0 .118	Gold	No	Yes	No	4-179704-0						
						Tin	Yes	Yes	No	5-179397-0						
						Tin	No	Yes	No	5-179403-0						
						Gold	Yes	Yes	No	5-179703-0						
50	19.2 .756	20.8 .819	24.2 .953	2.4 .094	3.0 .118	Gold	No	Yes	No	5-179704-0						
						Gold	No	Yes	No	5-179704-0						

Note: Part Numbers are RoHS compliant.

0.8mm Fine Stack and Fine Mate Connectors

4.0 [.157] and 4.5 [.177] Stacking Heights

Material and Finish

Housing — 46 Nylon, high heat resistant resin

Contacts — Copper alloy, gold plating or tin on contact area (see chart), tin on solder leads, with entire contact under-plated nickel

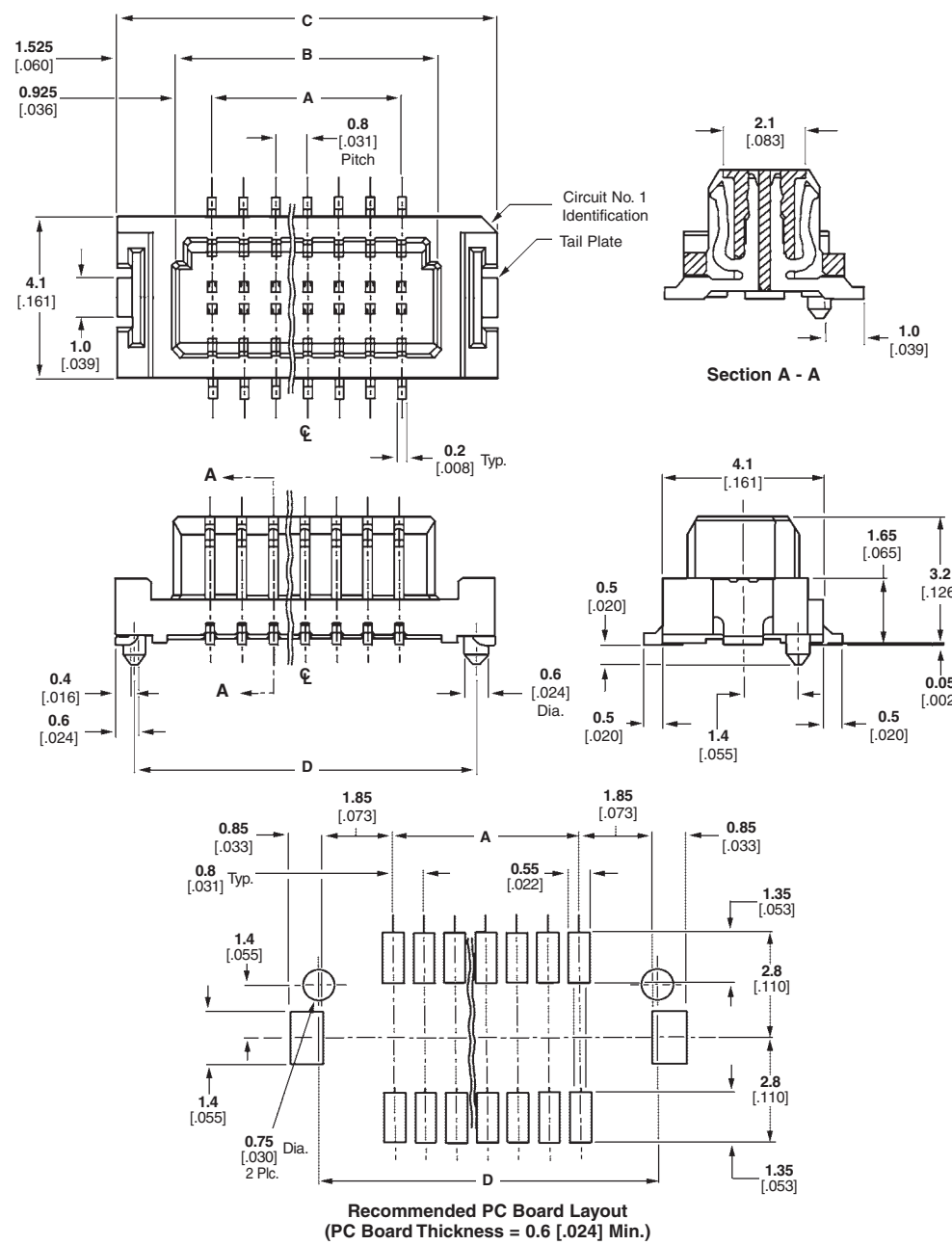
Related Product Data

Mating Tabs — page 69

Technical Documents (page 113)

Product Specification
108-5512

0.8mm Fine Mate Receptacles, 0.8 [.031] Pitch



No. of Positions	Dimensions				Keyed	With Boss	Part Number
	A	B	C	D			
10	3.2 .126	5.05 .199	8.1 .319	7.15 .281	Yes	Yes	1-5917408-0
	3.2 .126	5.05 .199	8.1 .319	—	Yes	No	1-5316657-0
22	8.0 .315	9.85 .388	12.9 .508	11.95 .470	Yes	Yes	2-5917408-2
50	19.2 .756	20.45 .805	23.5 .925	22.55 .888	No	Yes	5-5316464-0
60	23.2 .913	25.05 .986	28.1 1.106	27.15 1.069	Yes	Yes	6-5917408-0

Note: Part Numbers are RoHS compliant.

4.0 [.157] and 4.5 [.177] Stacking Heights

Material and Finish

Housing — 46 Nylon, high heat resistant resin
Contacts — Copper alloy, gold plating on contact area (see chart), tin on solder leads, with entire contact underplated nickel

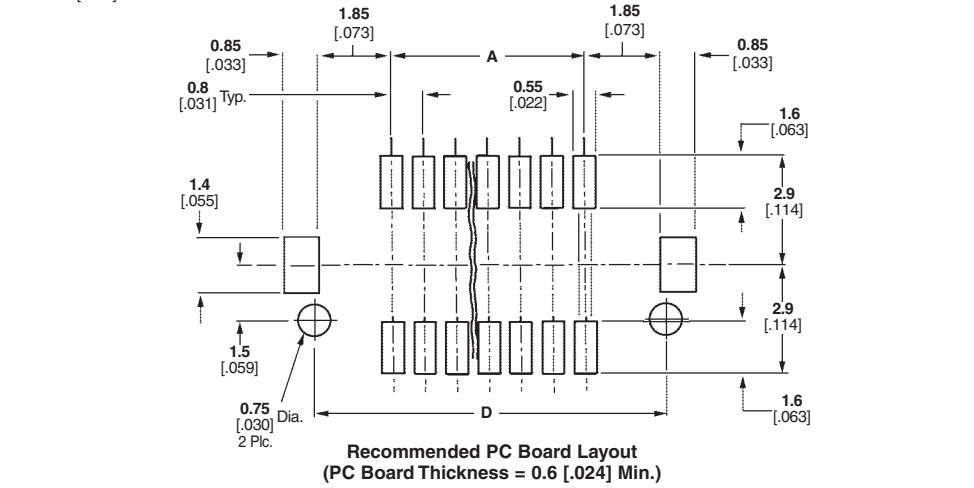
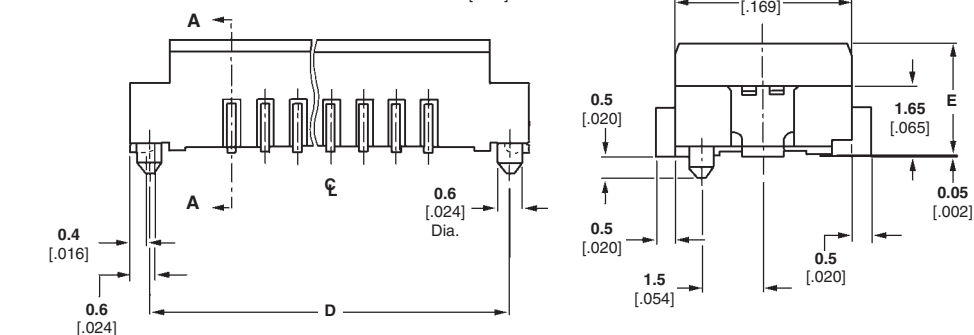
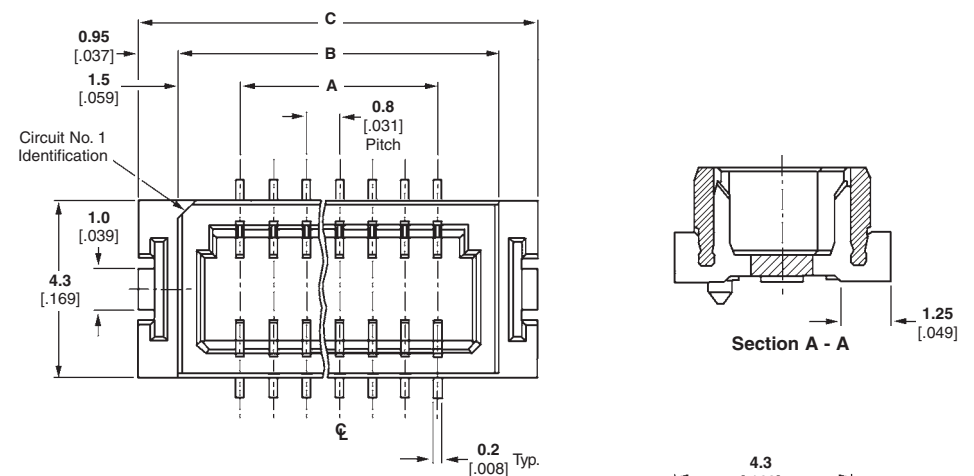
Related Product Data

Mating Receptacles — page 68

Technical Documents (page 113)

Product Specification
 108-5512

0.8mm Fine Mate Tabs, 0.8 [.031] Pitch



Recommended PC Board Layout
 (PC Board Thickness = 0.6 [.024] Min.)

0.8mm Fine Stack and Fine Mate Connectors

No. of Positions	Dimensions					Stacking Height	Keyed	With Boss	Part Number
	A	B	C	D	E				
10	3.2 .126	6.2 .244	8.1 .319	7.15 .281	2.7 .106	4.0 .157	Yes	Yes	1-5917407-0
	8.0 .315	11.0 .433	12.9 .508	11.95 .470	2.7 .106	4.0 .157	No	Yes	2-5316120-2
22	8.0 .315	11.0 .433	12.9 .508	11.95 .470	3.3 .130	4.5 .177	No	Yes	2-5917407-2
	19.2 .756	21.6 .850	23.5 .925	22.55 .888	3.3 .130	4.5 .177	No	Yes	5-5316466-0
60	23.2 .913	26.2 1.031	28.1 1.106	27.15 1.069	2.7 .106	4.0 .157	Yes	Yes	6-5316514-0

Note: Part Numbers are RoHS compliant.

X-ON Electronics

Largest Supplier of Electrical and Electronic Components

Click to view similar products for [Board to Board & Mezzanine Connectors](#) category:

Click to view products by [TE Connectivity](#) manufacturer:

Other Similar products are found below :

[10135583-642402LF](#) [89885-310LF](#) [589158040000018](#) [6-1393048-0](#) [68683-613](#) [MDF7-12DP-2.54DSA](#) [MDF7-18P-2.54DSA\(01\)](#) [MDF7-20DP-2.54DSA](#) [MDF7-26D-2.54DSA\(55\)](#) [MDF7-3P-2.54DSA\(01\)](#) [MDF7B-20P-2.54DSA\(01\)](#) [MDF7B-3P-2.54DSA\(55\)](#) [MDF7C-18P-2.54DSA\(55\)](#) [MDF7P-5P-2.54DSA\(55\)](#) [75234-0516](#) [FCN-230C068-11](#) [FCN-268F012-G/BD](#) [FCN-268F036-G/BD](#) [FCN-268M012-G/0D](#) [FCN-268M024-G/1D](#) [FCN-360C008-C](#) [FCN-723J004/1](#) [MIS-048-01-F-D-DP-K](#) [832-10-034-10-001000](#) [93696-325LF](#) [11828-1FA](#) [AXK630345P](#) [18097-0013](#) [2007042-2](#) [304400-2](#) [FCN-214Q030-G/0](#) [FCN-215Q040-G/0](#) [FCN-230C068-ESA](#) [FCN-234P048-G/0](#) [FCN-235D050-G/C](#) [FCN-360A3](#) [FCN-360C040-B](#) [210-93-314-41-105000](#) [2-22603-0](#) [379-064-521-202](#) [MDF7-12P-2.54DSA\(01\)](#) [MDF7-16P-2.54DS\(56\)](#) [MDF7-16P-2.54DSA\(55\)](#) [MDF7-40DP-2.54DSA\(55\)](#) [MDF7-8P-2.54DSA\(55\)](#) [AXG720047](#) [5031084030](#) [55323-1519](#) [DF33-2P-3.3DSA\(24\)](#) [DF33-2S-3.3C](#)