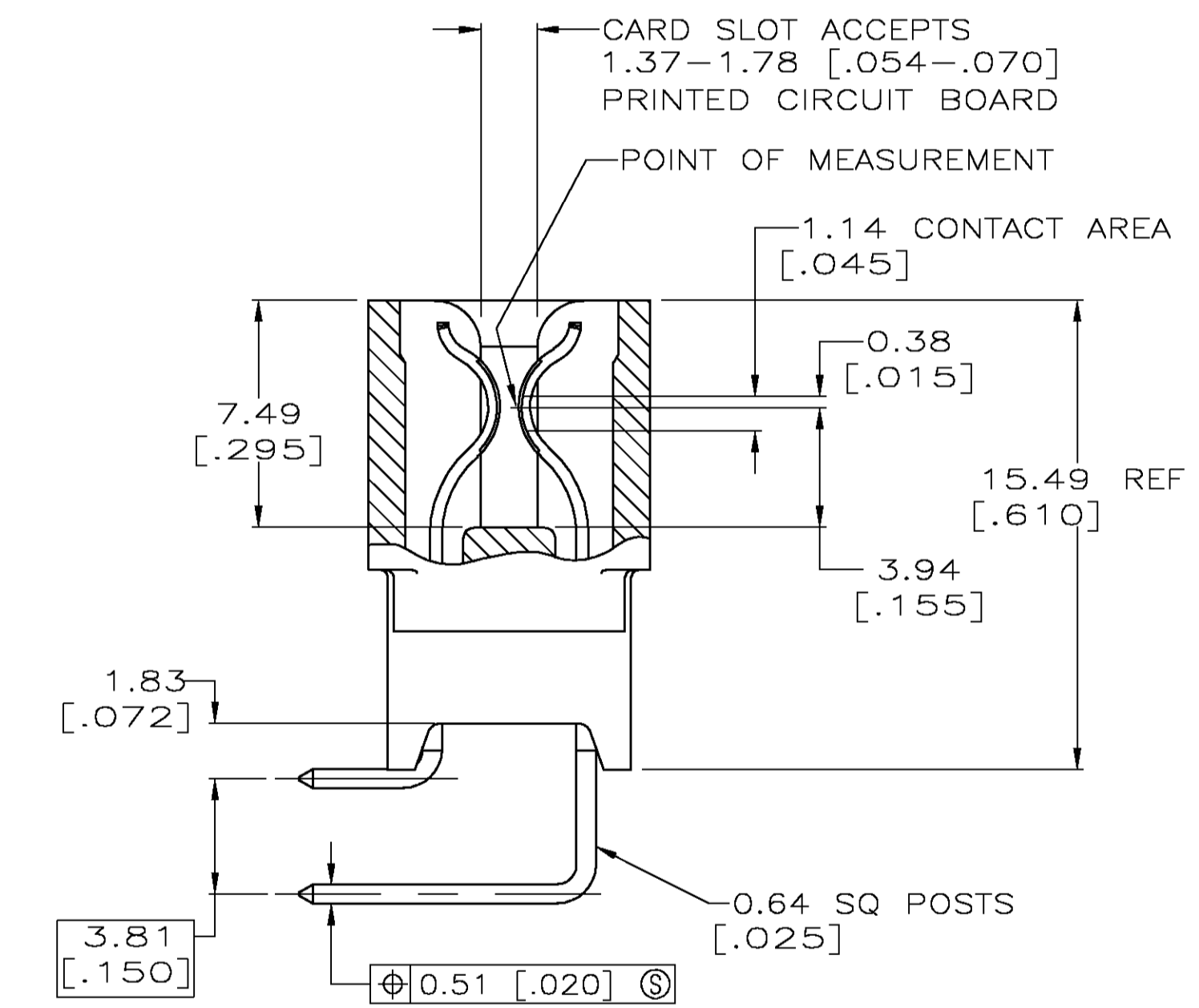
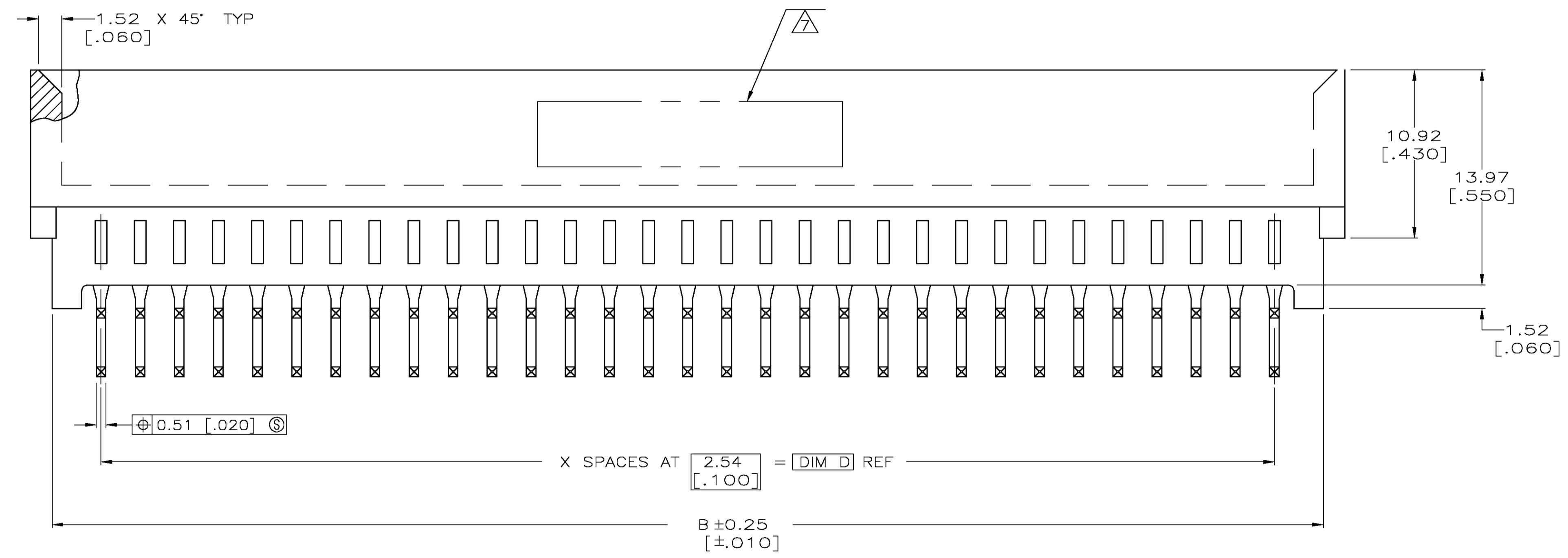


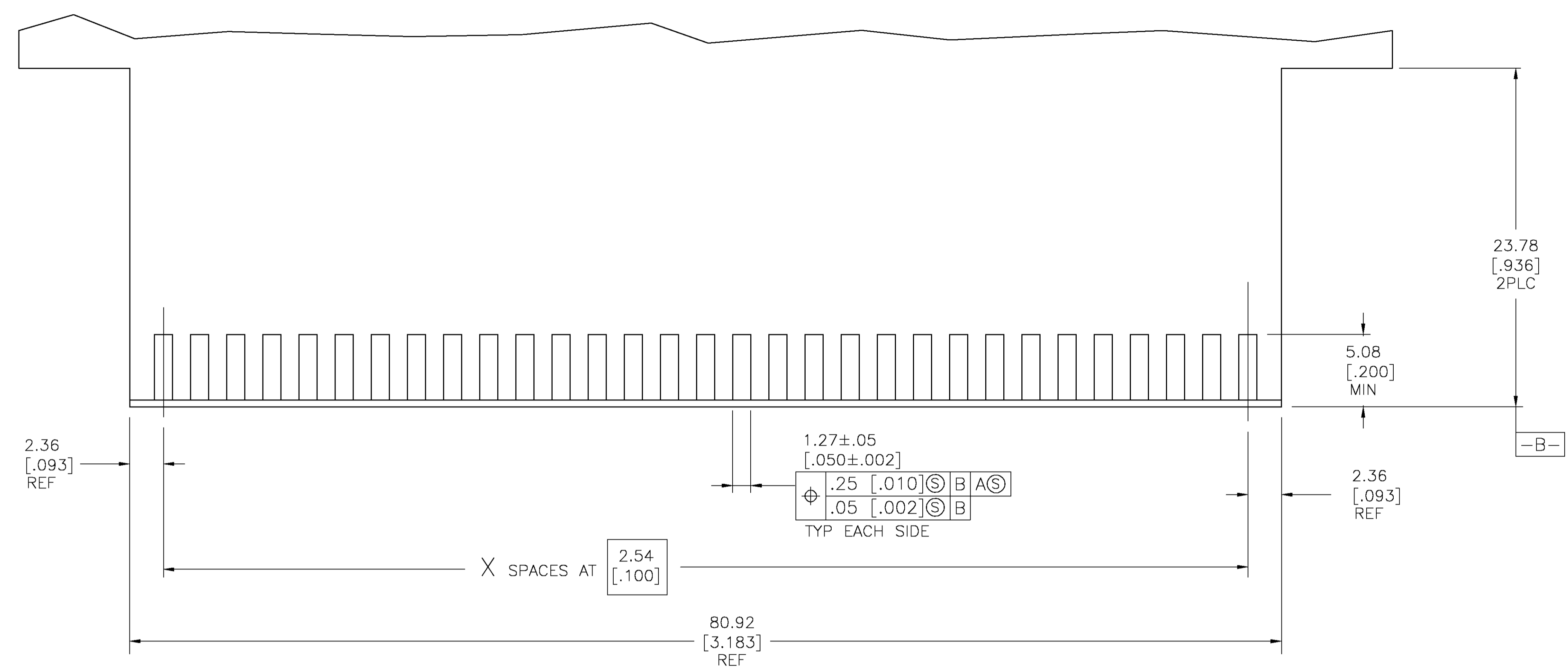
- ① HOUSING: GLASS FILLED POLYESTER; COLOR: BLACK.
- ② CONTACT: PHOSPHOR BRONZE.
- ③ NICKEL UNDERPLATE: 0.00127 [.000050] MIN - ALL OVER.
- ④ MATTE TIN PLATE: 0.00254 [.000100] MIN - SOLDER POSTS.
- ⑤ GOLD PLATE: 0.00038 [.000015] MIN - CONTACT AREA.
- ⑥ NICKEL PLATE PER MIL-C-45204.
GOLD PLATE PER QQ-N-290.
- ⑦ AMP PART NUMBER AND DATE CODE ARE MARKED IN APPROXIMATE AREA SHOWN, EITHER SIDE.
- ⑧ DATUMS AND BASIC DIMENSIONS ESTABLISHED BY CUSTOMER.
PIN 1 LOCATION AND DESIGNATION ESTABLISHED BY CUSTOMER.



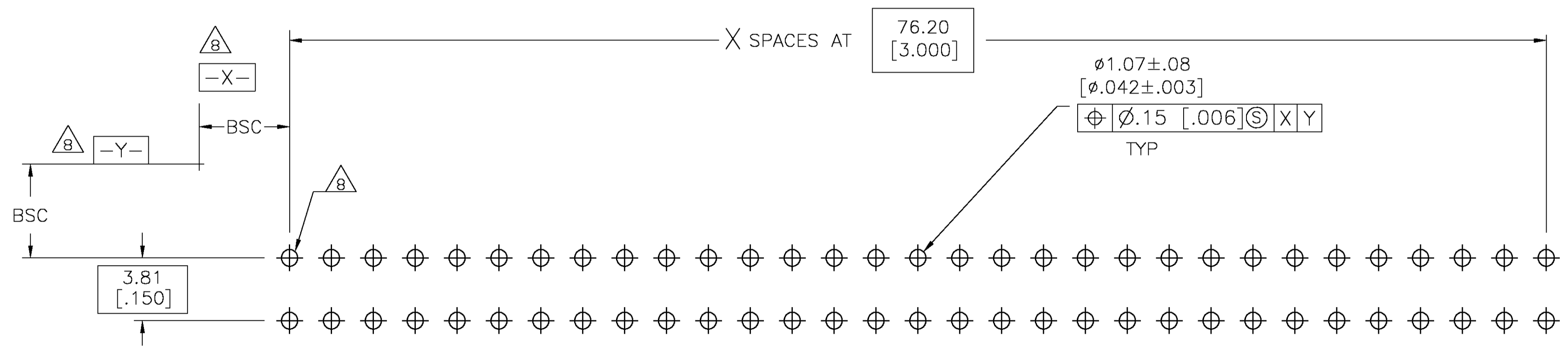
45.72 [1.800]	50.80 [2.000]	52.07 [2.050]	54.864 [2.160]	18	19	5532600-6
78.74 [3.100]	83.82 [3.300]	85.09 [3.350]	87.88 [3.460]	31	32	5532600-5
76.20 [3.000]	81.28 [3.200]	82.55 [3.250]	85.34 [3.360]	30	31	5532600-4
60.96 [2.400]	66.04 [2.600]	67.31 [2.650]	70.10 [2.760]	24	25	5532600-2
D	C	B	A	X	NO OF POSN	PART NUMBER

THIS DRAWING IS A CONTROLLED DOCUMENT.

DIMENSIONS: mm 	TOLERANCES UNLESS OTHERWISE SPECIFIED: 0 PLC ± - 1 PLC ± - 2 PLC ± ± 0.13[.005] 3 PLC ± ± - 4 PLC ± ± - ANGLES ± ± -	AL FRANTUM 18 OCT 04 AL FRANTUM 18 OCT 04 AL FRANTUM 18 OCT 04 PRODUCT SPEC 108-9039 APPLICATION SPEC SIZE A1 CAGE CODE 00779 DRAWING NO 5532600 WEIGHT CUSTOMER DRAWING	Tyco Electronics Corporation Harrisburg, Pa 17105-3608 CONNECTOR ASSEMBLY, STD EDGE II, 2.54 [.100] x 3.81 [.150], RIGHT ANGLE SCALE 5:1 SHEET 1 OF 2 REV B
-----------------------	--	---	--



RECOMMENDED MATING BOARD EDGE CONFIGURATION
 -4 CONFIGURATION SHOWN



RECOMMENDED PC BOARD HOLE LAYOUT
 -4 CONFIGURATION SHOWN

THIS DRAWING IS A CONTROLLED DOCUMENT.		DN AL FRANTUM 18 OCT 04		Tyco Electronics Corporation Harrisburg, Pa 17105-3608	
DIMENSIONS: mm		CHK AL FRANTUM 18 OCT 04		NAME	
TOLERANCES UNLESS OTHERWISE SPECIFIED:		APVD	PRODUCT SPEC		
0 PLC	± -	108-9039			
1 PLC	± -	APPLICATION SPEC			
2 PLC	± 0.13[005]	SIZE CAGE CODE DRAWING NO RESTRICTED TO			
3 PLC	± -	A1 00779 C=5532600			
4 PLC	± -	WEIGHT			
ANGLES	± - Z	CUSTOMER DRAWING SCALE 5:1 SHEET 2 OF 2 REV B			
MATERIAL SEE SHEET 1	FINISH SEE SHEET 1				

X-ON Electronics

Largest Supplier of Electrical and Electronic Components

Click to view similar products for [Standard Card Edge Connectors](#) category:

Click to view products by [TE Connectivity](#) manufacturer:

Other Similar products are found below :

[CR7E-30DB-3.96E\(72\)](#) [6364499-1](#) [6565204-6](#) [PKC-156](#) [1437274-4](#) [147889-1](#) [1489165-4](#) [EBT15622B2X](#) [1-582587-1](#) [284-0102-12100](#)
[286-0052-12101A](#) [306022901000000](#) [307-012-502-202](#) [307-056-520-300](#) [2129318-1](#) [245-062-520-350](#) [287-0032-12101](#) [306-028-525-102](#)
[307-072-526-202](#) [345-060-559-303](#) [392-008-559-201](#) [534671-1](#) [341-240-317](#) [345-044-500-300](#) [346-240-318](#) [395-100-524-300](#) [09-07-2032](#)
[10035388-802LF](#) [10115859-011LF](#) [10122859-009LF](#) [10127905-B04B24BLF](#) [530555-1](#) [5-678046-1](#) [73726-0005](#) [66308-1](#) [1-1437275-6](#)
[PEC-07-02-T-S-A](#) [346-014-520-801](#) [307-048-502-202](#) [CE100F22-9-C](#) [CE100F26-7-C](#) [CE100F28-3-D](#) [CE156F18-9-C](#) [CE156F22-5-D](#)
[CE156F22-9-C](#) [CT100F22-2-D](#) [CT100F22-3-D](#) [CT100F24-2-D](#) [CT100F24-3-D](#) [CT100F24-6-C](#)