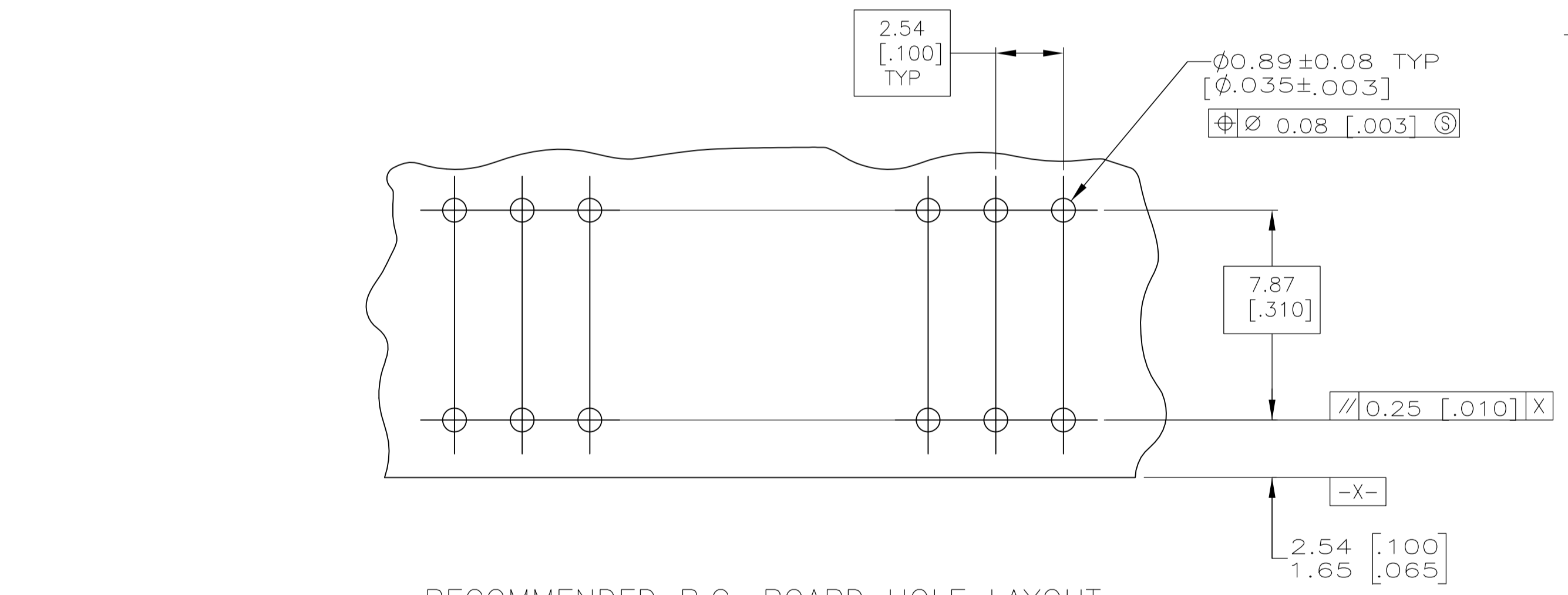
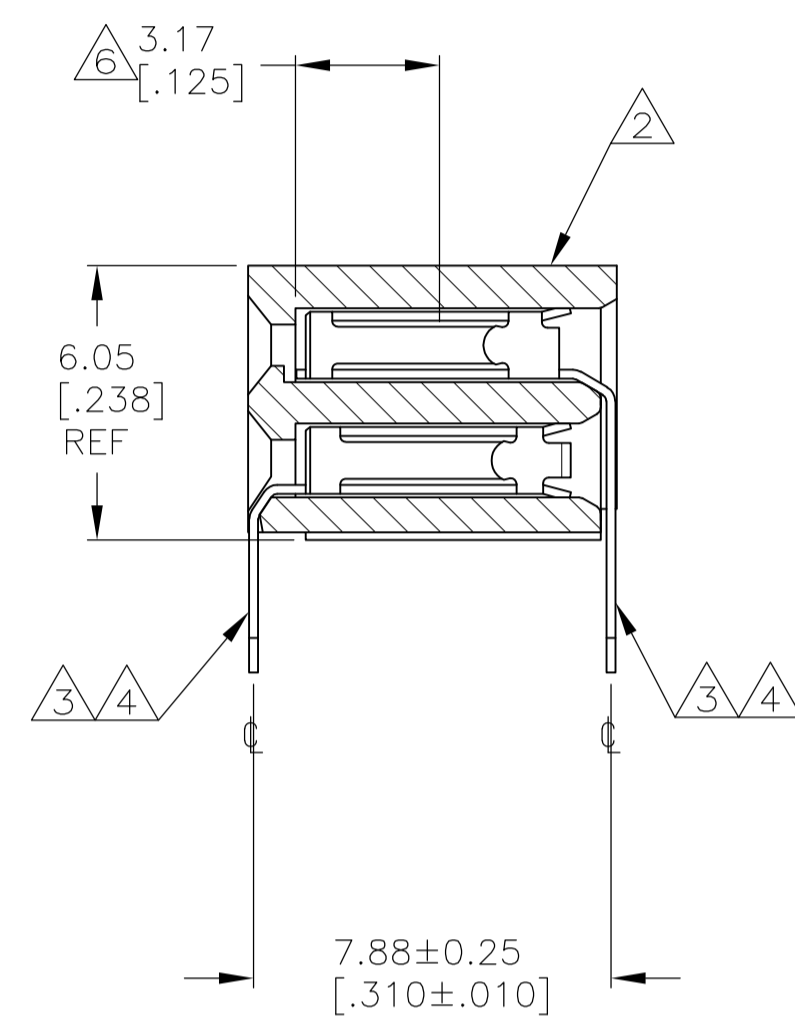
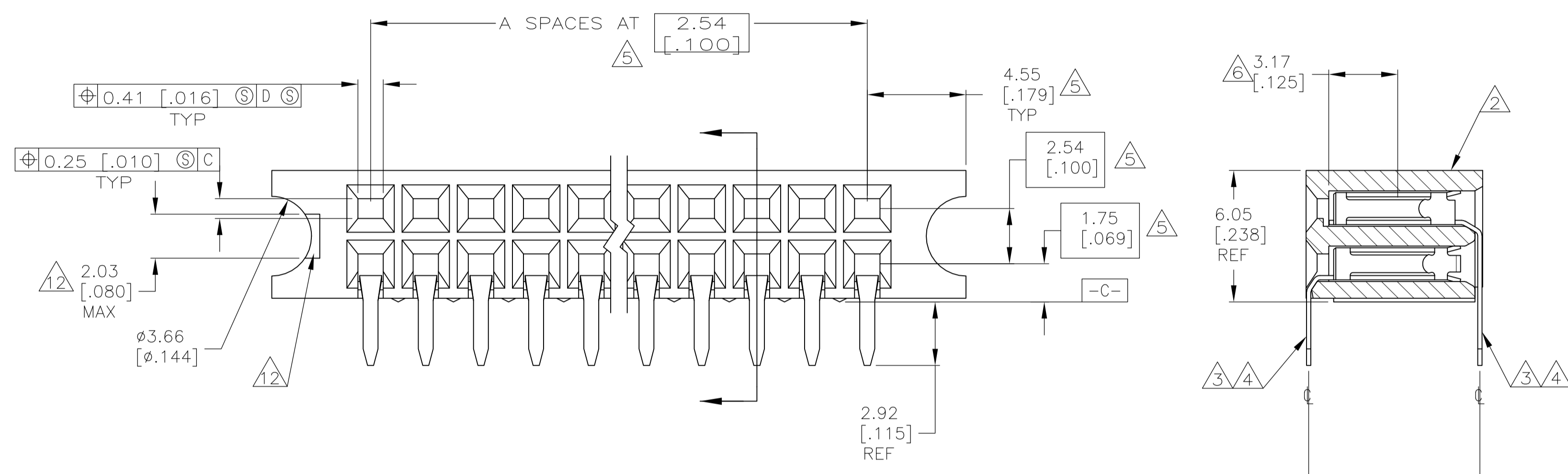


- 11 CONTACT FINISH: DUPLEX PLATED 0.00038 [.000015] GOLD IN CONTACT AREA, 0.00127-0.00254 [.000050-.000100] MATTE TIN ON SOLDER TAILS, ALL OVER 0.00127 [.000050] NICKEL.
- 12 RECESSED AREA AROUND MOLD GATE IS OPTIONAL. THIS FEATURE IS ALLOWABLE ON EITHER SIDE OF HOUSING OR MAY NOT BE PRESENT AT ALL.
- 13 OBSOLETE PARTS: OBSOLETE CIS STREAMLINING PER D.RENAUD/D.SINISI



RECOMMENDED P.C. BOARD HOLE LAYOUT

FINISH	B	A	NO OF POSN	PART NUMBER
OBSOLETE	19.25 [.758]	4	10	108-532955-1
OBSOLETE	34.49 [1.358]	10	22	108-532955-0
OBSOLETE	47.19 [1.858]	15	32	107-532955-9
OBSOLETE	235.15 [9.258]	89	180	107-532955-8
OBSOLETE	209.75 [8.258]	79	160	107-532955-7
OBSOLETE	125.93 [4.958]	46	94	107-532955-6
OBSOLETE	24.33 [.958]	6	14	107-532955-5
OBSOLETE	62.43 [2.458]	21	44	107-532955-4
OBSOLETE	260.55 [10.258]	99	200	107-532955-3
OBSOLETE	194.51 [7.658]	73	148	107-532955-2
OBSOLETE	184.35 [7.258]	69	140	107-532955-1
OBSOLETE	171.65 [6.758]	64	130	107-532955-0
OBSOLETE	169.11 [6.658]	63	128	106-532955-9
OBSOLETE	158.95 [6.258]	59	120	106-532955-8
OBSOLETE	146.25 [5.758]	54	110	106-532955-7
OBSOLETE	133.55 [5.258]	49	100	106-532955-6
OBSOLETE	128.47 [5.058]	47	96	106-532955-5
OBSOLETE	120.85 [4.758]	44	90	106-532955-4
OBSOLETE	113.23 [4.558]	42	86	106-532955-3
OBSOLETE	108.15 [4.258]	39	80	106-532955-2
OBSOLETE	97.99 [3.858]	35	72	106-532955-1
OBSOLETE	95.45 [3.758]	34	70	106-532955-0
OBSOLETE	82.75 [3.258]	29	60	105-532955-9
OBSOLETE	70.05 [2.758]	24	50	105-532955-8
OBSOLETE	57.35 [2.258]	19	40	105-532955-7
OBSOLETE	52.27 [2.058]	17	36	105-532955-6
OBSOLETE	44.65 [1.758]	14	30	105-532955-5
OBSOLETE	37.03 [1.458]	11	24	105-532955-4
OBSOLETE	31.95 [1.258]	9	20	105-532955-3
OBSOLETE	26.87 [1.058]	7	16	105-532955-2
OBSOLETE	21.79 [.858]	5	12	105-532955-1

FINISH	B	A	NO OF POSN	PART NUMBER
OBSOLETE	21.79 [.858]	5	12	3-532955-2
OBSOLETE	19.25 [.758]	4	10	3-532955-1
OBSOLETE	34.49 [1.358]	10	22	3-532955-0
OBSOLETE	47.19 [1.858]	15	32	2-532955-9
OBSOLETE	235.15 [9.258]	89	180	2-532955-8
OBSOLETE	209.75 [8.258]	79	160	2-532955-7
OBSOLETE	125.93 [4.958]	46	94	2-532955-6
OBSOLETE	24.33 [.958]	6	14	2-532955-5
OBSOLETE	62.43 [2.458]	21	44	2-532955-4
OBSOLETE	260.55 [10.258]	99	200	2-532955-3
OBSOLETE	194.51 [7.658]	73	148	2-532955-2
OBSOLETE	184.35 [7.258]	69	140	2-532955-1
OBSOLETE	171.65 [6.758]	64	130	2-532955-0
OBSOLETE	169.11 [6.658]	63	128	1-532955-9
OBSOLETE	158.95 [6.258]	59	120	1-532955-8
OBSOLETE	146.25 [5.758]	54	110	1-532955-7
OBSOLETE	133.55 [5.258]	49	100	1-532955-6
OBSOLETE	128.47 [5.058]	47	96	1-532955-5
OBSOLETE	120.85 [4.758]	44	90	1-532955-4
OBSOLETE	113.23 [4.558]	42	86	1-532955-3
OBSOLETE	108.15 [4.258]	39	80	1-532955-2
OBSOLETE	97.99 [3.858]	35	72	1-532955-1
OBSOLETE	95.45 [3.758]	34	70	1-532955-0
OBSOLETE	82.75 [3.258]	29	60	532955-9
OBSOLETE	70.05 [2.758]	24	50	532955-8
OBSOLETE	57.35 [2.258]	19	40	532955-7
OBSOLETE	52.27 [2.058]	17	36	532955-6
OBSOLETE	44.65 [1.758]	14	30	532955-5
OBSOLETE	37.03 [1.458]	11	24	532955-4
OBSOLETE	31.95 [1.258]	9	20	532955-3
OBSOLETE	26.87 [1.058]	7	16	532955-2
OBSOLETE	21.79 [.858]	5	12	532955-1

- 1 "AMP", "CSA", "▼" AND "DATE CODE" WITH .062 ±.015 HIGH CHARACTERS WHERE SIZE PERMITS.
- 2 HOUSING: 1-70 POSITION SIZES MAY BE PPS, GLASS-FILLED OR PCT, GLASS-FILLED. POSITION SIZES GREATER THAN 70 WILL BE PPS, GLASS-FILLED.
- 3 CONTACT: PHOSPHOR BRONZE.
- 4 CONTACT FINISH: DUPLEX PLATED 0.00038 [.000015] GOLD IN CONTACT AREA, 0.00127-0.00254 [.000050-.000100] BRIGHT TIN-LEAD ON SOLDER TAILS, ALL OVER 0.00127 [.000050] NICKEL.
- 5 THESE DIMENSIONS PERTAIN TO CAVITY C'S ONLY, NOT TO CONTACT LOCATIONS.
- 6 POINT OF MEASUREMENT FOR PLATING THICKNESS (INSIDE CONTACT BEAMS).
- 7 CSA LOGO INK STAMPED WHITE ON HOUSING.
- 8 CONTACT FINISH: DUPLEX PLATED 0.00038 [.000015] GOLD IN CONTACT AREA, 0.00127-0.00254 [.000050-.000100] BRIGHT TIN ON SOLDER TAILS, ALL OVER 0.00127 [.000050] NICKEL.
- 9 SUPERSEDED BY 5-532955-1.
- 10 ROHS 2002/95/EC COMPLIANT

THIS DRAWING IS A CONTROLLED DOCUMENT. DIN K.L.CLOUSER/UTA 3/77/91  
 CHK D SARVER 05-14-91  
 APVD - NAME

**STE** TE Connectivity

PRODUCT SPEC: RECEPTACLE ASSY, MOD II, DBL ROW, 2.54 X 2.54 [.100 X .100] CL, GUIDE PIN EARS, CLOSED ENTRY,  
 APPLICATION SPEC

SIZE: A1  
 CASE CODE: 00779  
 DRAWING NO: 532955  
 RESTRICTED TO

MATERIAL: SEE TABLE  
 WEIGHT: -  
 CUSTOMER DRAWING  
 SCALE: 6:1  
 SHEET: 1 of 1  
 REV: T4

## X-ON Electronics

Largest Supplier of Electrical and Electronic Components

*Click to view similar products for [Headers & Wire Housings](#) category:*

*Click to view products by [TE Connectivity](#) manufacturer:*

Other Similar products are found below :

[892-18-020-10-001101](#) [58102-G61-06LF](#) [582553-1](#) [0009485154](#) [009176003701906](#) [0050291907](#) [LY20-4P-DT1-P1E-BR](#) [02.125.8002.8](#)  
[609-3404](#) [61062-3](#) [61082-181009](#) [622-3653LF](#) [63453-116](#) [636-1030](#) [636-1427](#) [636-3427](#) [636-4007](#) [641938-9](#) [641991-4](#) [644827-2](#) [65817-010LF](#) [65817-015LF](#) [65863-015LF](#) [66207-023LF](#) [67095-007LF](#) [67601157](#) [68645-018](#) [68648-049](#) [70.362.1628.0](#) [70-4210](#) [70-4226B](#) [70-4853B](#) [707-5020](#) [707-5028](#) [71.350.2428.0](#) [71918-208LF](#) [71961-016LF](#) [733-134](#) [733-162](#) [754199-000](#) [760-3052](#) [787-8014-00](#) [79531-3000](#)  
[FCN-360C032-B](#) [FCN-367T-T012/H](#) [FCN-723D010/2](#) [80.063.4001.1](#) [800-90-001-10-001000](#) [800-90-010-10-002000](#) [801-43-002-10-013000](#)