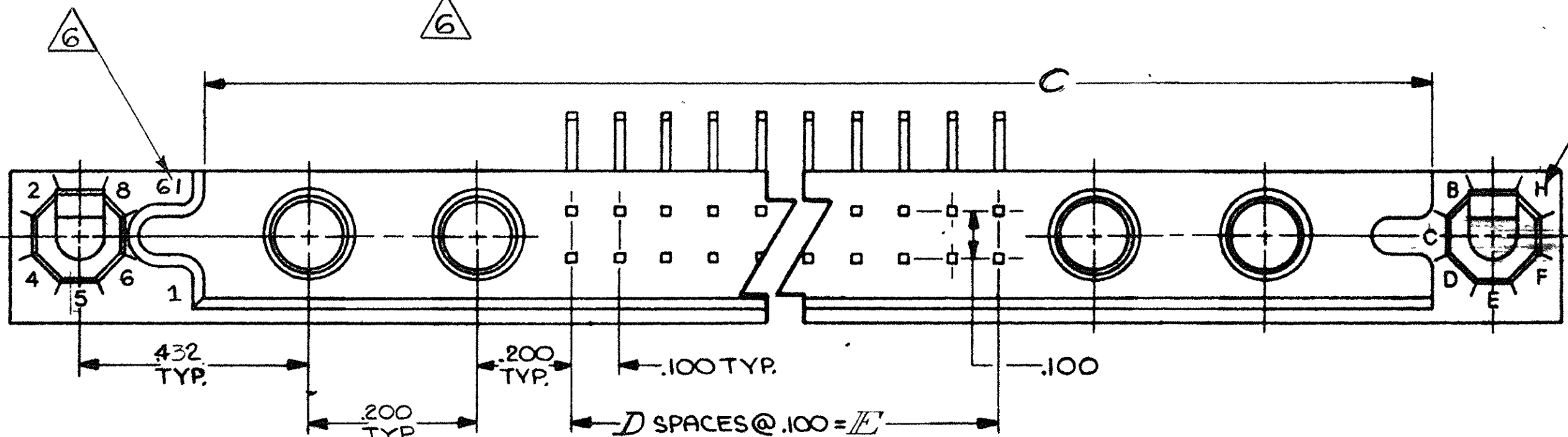
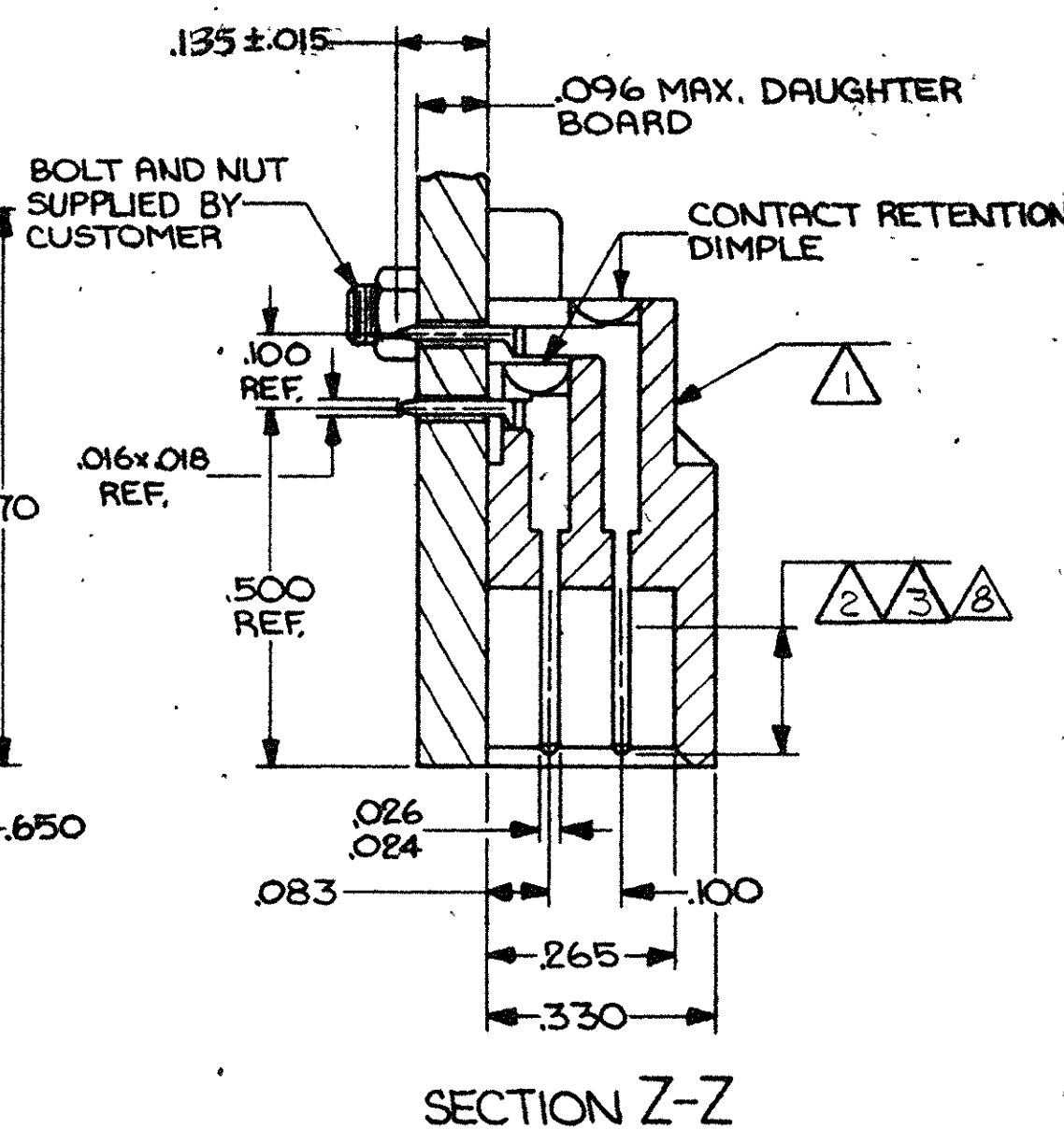
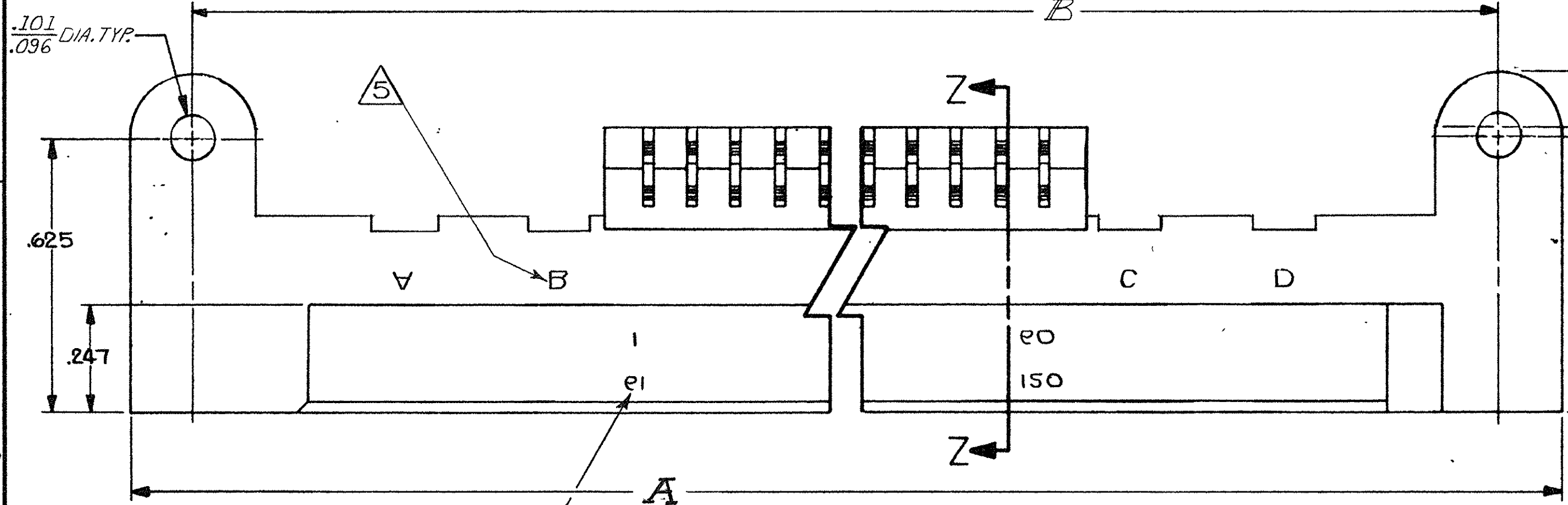
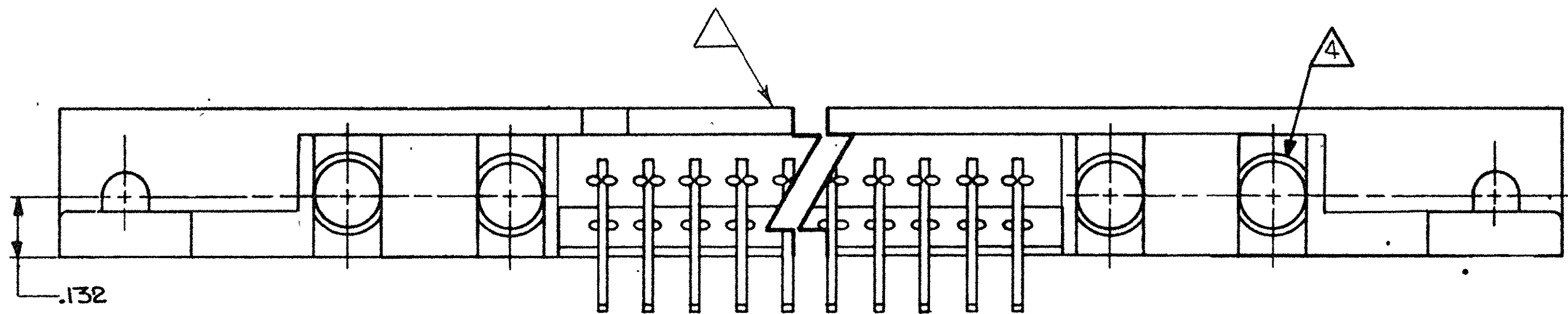


© COPYRIGHT 19 BY AMP INCORPORATED, HARRISBURG, PA.  
ALL INTERNATIONAL RIGHTS RESERVED. AMP INCORPORATED PRODUCTS  
COVERED BY U. S. AND FOREIGN PATENTS AND/OR PATENTS PENDING.

THIS DRAWING IS UNPUBLISHED.  
RELEASED FOR PUBLICATION \_\_\_\_\_, 19\_\_.

		REVISIONS			
P	F	ZONE/LTR	DESCRIPTION	DATE	APPROVED
✓	✓	O	RELEASED	m.s.	6-84
✓	✓	A	REV PER DF-2126	T.W.	8-89
✓	✓	B	REV PER DF-4316	AJC	8-91
✓	✓	C	REV 0600-5641-96	TT	9-97
		D	REV 0600-6467-97	TT	10-97
		E	REV PER OH14-0202-03	CT	1-04
		F	REV PER OH14-0208-05		1-06
		G	ECO-10-002916	PY	2-10
		H	ECO-10-002921	PY	3-10



- 1 HOUSING MAT'L.: GLASS-FILLED POLYESTER, COLOR-BLUE.
- 2 CONTACT FINISH: .000050 NICKEL UNDERPLATE ALL OVER, .000050 GOLD IN THIS AREA, .000100 TIN-LEAD ON TAIL.
- 3 CONTACT MAT'L.: BRASS.
- 4 WILL ACCEPT MICROMINATURE COAX CONTACT AMP P/N 227602-1 & 227604-1 INSERT COAX CONTACT P/N 227602-1 FROM THIS SIDE BEFORE MOUNTING TO P.C. BOARD

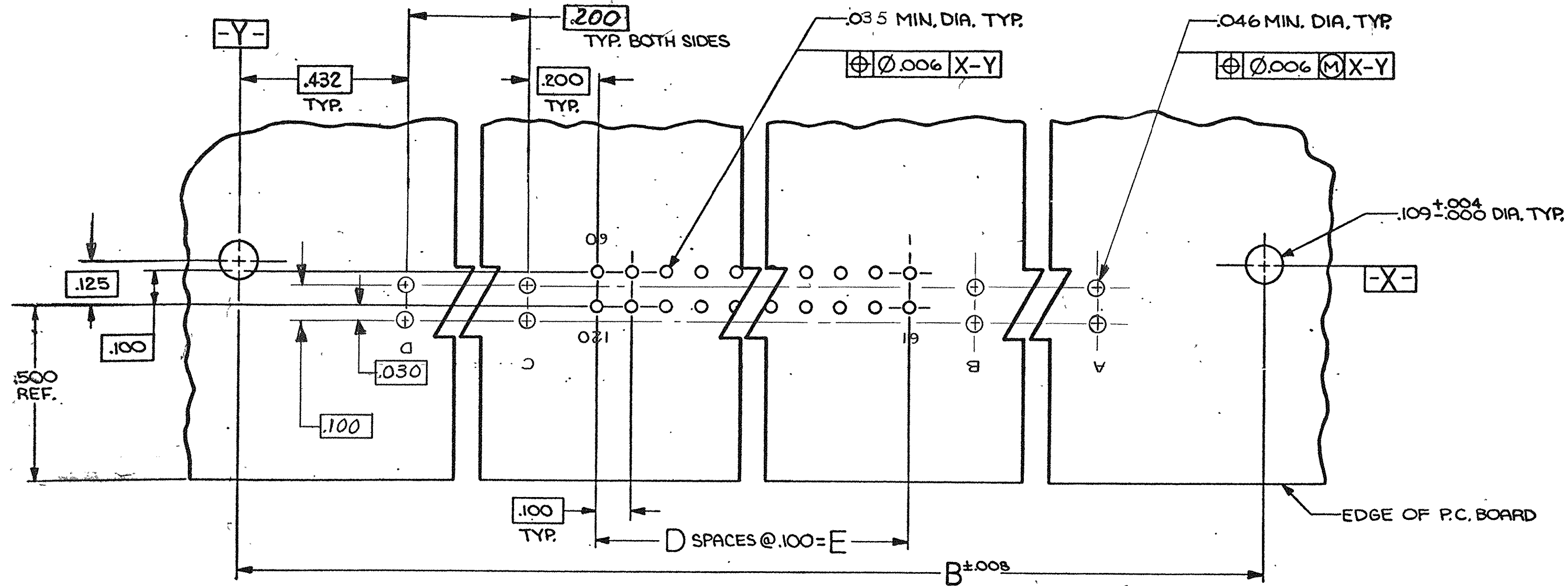
- CONT. PG. 2 -

UNLESS OTHERWISE SPECIFIED DIMENSIONS ARE IN INCHES. TOLERANCES ON: DECIMALS ±.010 ANGLES ±	CONTRACT NO	<b>AMP</b>   AMP INCORPORATED Harrisburg, Pa.	
	MATERIAL	DR. <i>M. Smith</i> 6-4-84 CHR. <i>P.M. Reagan</i> 6/4/84 APPD. <i>P.M. Reagan</i> 6/4/84 APPD. <i>[Signature]</i> 6/18/84	NAME <b>BOX 1001 SERIES PIN HEADER ASSEMBLY WITH COAX</b>
	FINISH	DSGN APPD. OTHER APPD.	SIZE CODE IDENT NO DRAWING NO <b>C 00779 533182</b>
			SCALE 4:1 SHEET 1 OF 2

CUSTOMER DRAWING

THIS DRAWING IS UNPUBLISHED. RELEASED FOR PUBLICATION 19  
 © COPYRIGHT 19 BY AMP INCORPORATED, HARRISBURG, PA. ALL INTERNATIONAL RIGHTS RESERVED. AMP PRODUCTS MAY BE COVERED BY U.S. AND FOREIGN PATENTS AND/OR PATENTS PENDING.

REVISIONS						
P	F	ZONE	LTR	DESCRIPTION	DATE	APPROVED
✓	✓			(SEE SHEET 1 OF 2)		



RECOMMENDED P.C. BOARD LAYOUT

- 5 COAX POS. (A, B, C & D) MARKED ON OPPOSITE SIDE ONLY
- 6 CONT. POS. MARKED ON OPPOSITE SIDE ONLY. NUMBERS INDICATING EVERY FIFTH CAVITY MARKED ON SIDE. NUMBERS INDICATING END CAVITIES MARKED ON MATING FACE.
- 7 AMP, P/N & DATE CODE MARKED THIS AREA
- 8 CONTACT FINISH: .000050 NICKEL UNDERPLATE ALL OVER, .000050 GOLD IN THIS AREA, .000100 TIN ON TAIL

8	1.900	19	3.175	3.565	3.855	4	40	5-533182-3		
2	5.900	59	7.175	7.565	7.855	4	120	1-533182-0		
2	OBS	54	6.675	7.065	7.355	4	110	7-9		
	OBS	49	6.175	6.565	6.855	4	100	4-8		
	OBS	44	5.675	6.065	6.355	4	90	7-7		
	OBS	39	5.175	5.565	5.855	4	80	7-6		
	OBS	34	4.675	5.065	5.355	4	70	7-5		
2	OBS	24	3.675	4.065	4.355	4	50	7-4		
2	1.900	19	3.175	3.565	3.855	4	40	3		
2	1.400	14	2.675	3.065	3.355	4	30	2		
2	OBS	29	4.175	4.565	4.855	4	60	533182-1		
			E	D	C	B	A	NO. OF COAX POS.	NO. OF BOX POS.	PART NO.

UNLESS OTHERWISE SPECIFIED DIMENSIONS ARE IN INCHES. TOLERANCES ON: DECIMALS ±.010 ANGLES ±	CONTRACT NO		<b>AMP</b>   AMP INCORPORATED Harrisburg, Pa. 17105			
	DR <i>M. Smith</i> 6-4-84	CHK <i>P.M. Reagan</i> 6/4/84				
MATERIAL	ASPD <i>P.M. Reagan</i> 6/4/84	ASPD <i>P.M. Reagan</i> 6/4/84	SIZE C	FSCM NO 00779	DRAWING NO 533182	REV H
FINISH	DSGN/APPD	OTHER APPD	SCALE	SHEET 2 OF 2		

533182

## X-ON Electronics

Largest Supplier of Electrical and Electronic Components

*Click to view similar products for [Headers & Wire Housings](#) category:*

*Click to view products by [TE Connectivity](#) manufacturer:*

Other Similar products are found below :

[95000-104TRLF](#) [10135584-644402LF](#) [DF62W-EP2022PCA](#) [95000-106TRLF](#) [DF62W-2022SCA](#) [DF62W-EP2022PC](#) [2203348](#) [DF62W-2022SC](#) [1084018](#) [1029039](#) [1084017](#) [802-10-012-10-002000](#) [1112640](#) [1112639](#) [000-34000](#) [0009482033](#) [0009507031](#) [57102-S06-03LF](#) [57202-S52-04LF](#) [PCN6-15S-2.5E](#) [0039019024](#) [58102-G61-06LF](#) [582553-1](#) [0009508121](#) [0050291907](#) [018731A](#) [LY20-4P-DT1-P1E-BR](#) [02.125.8002.8](#) [60101931](#) [60598-1 \(Cut Strip\)](#) [M1625-3R/100](#) [61062-3](#) [61082-181009](#) [636-1427](#) [638009-1](#) [641938-9](#) [641991-4](#) [644168-1](#) [647662-1](#) [65039-019ELF](#) [65817-002LF](#) [65817-015LF](#) [65863-015LF](#) [66207-023LF](#) [67016-026LF](#) [67046-001LF](#) [67095-007LF](#) [68002-116](#) [68016-236H](#) [68648-049](#)