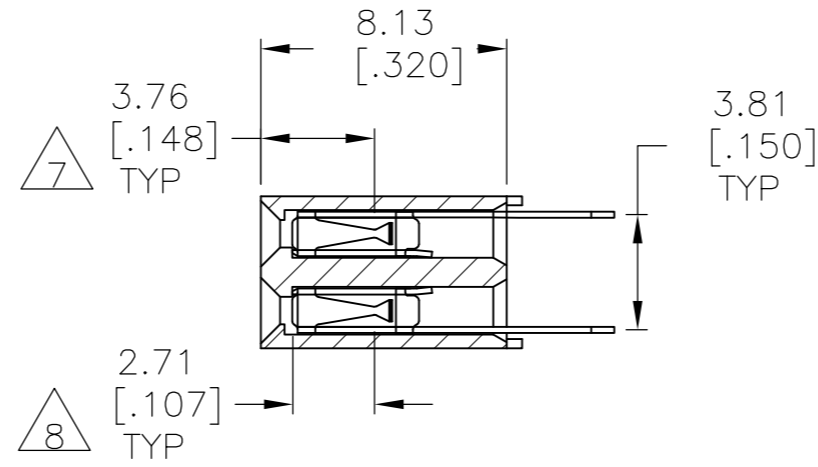
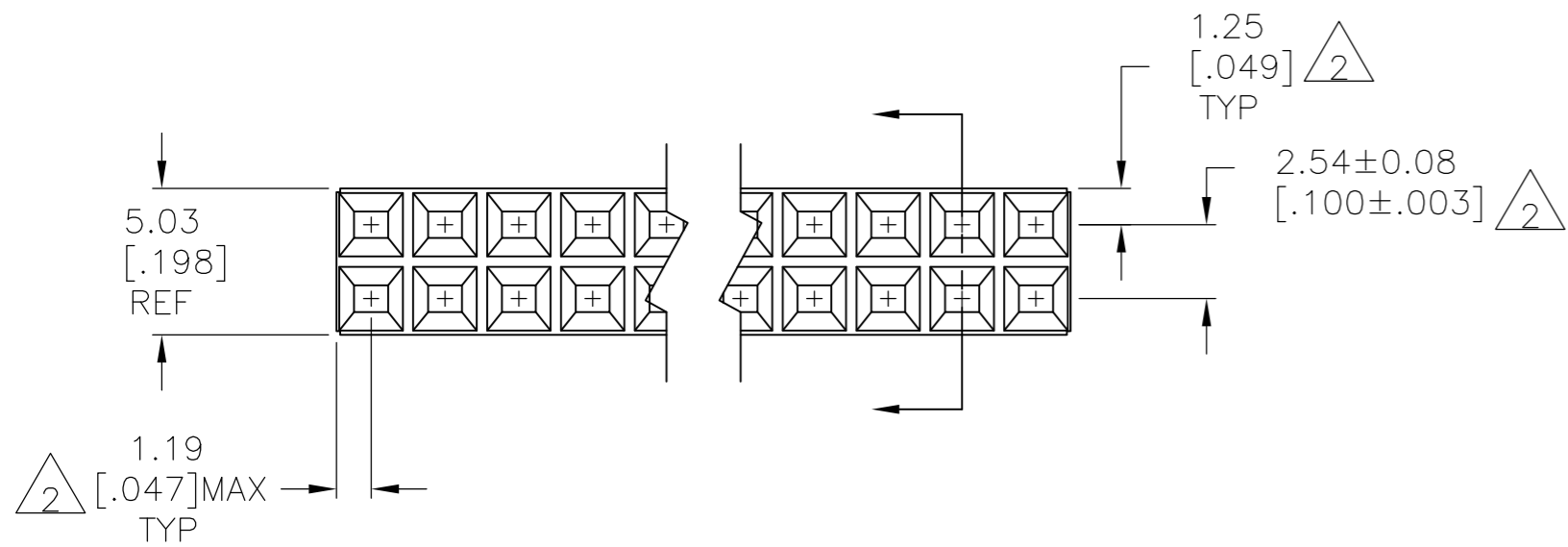
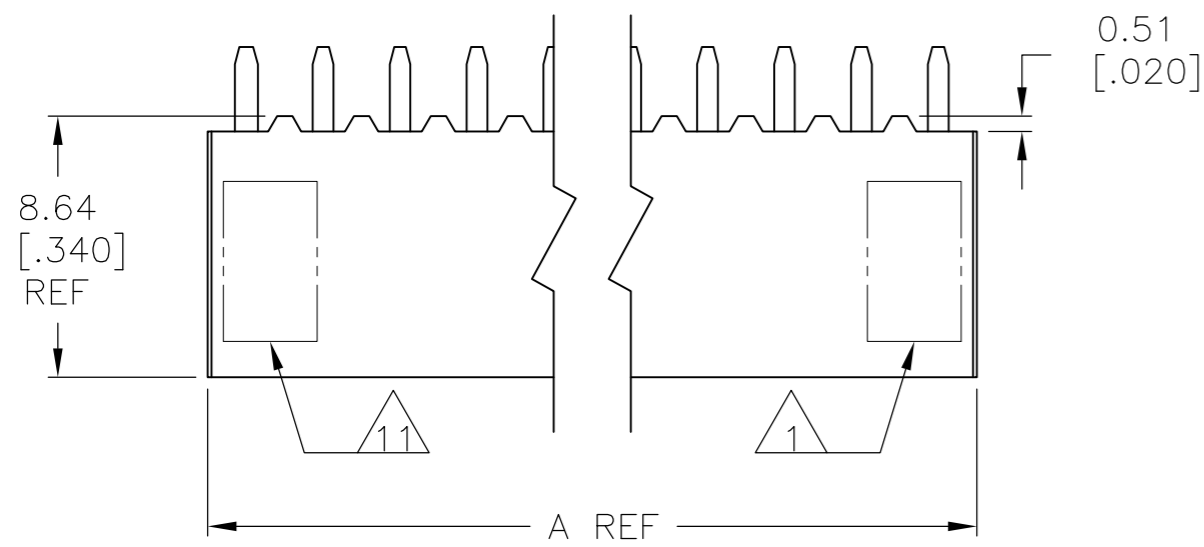
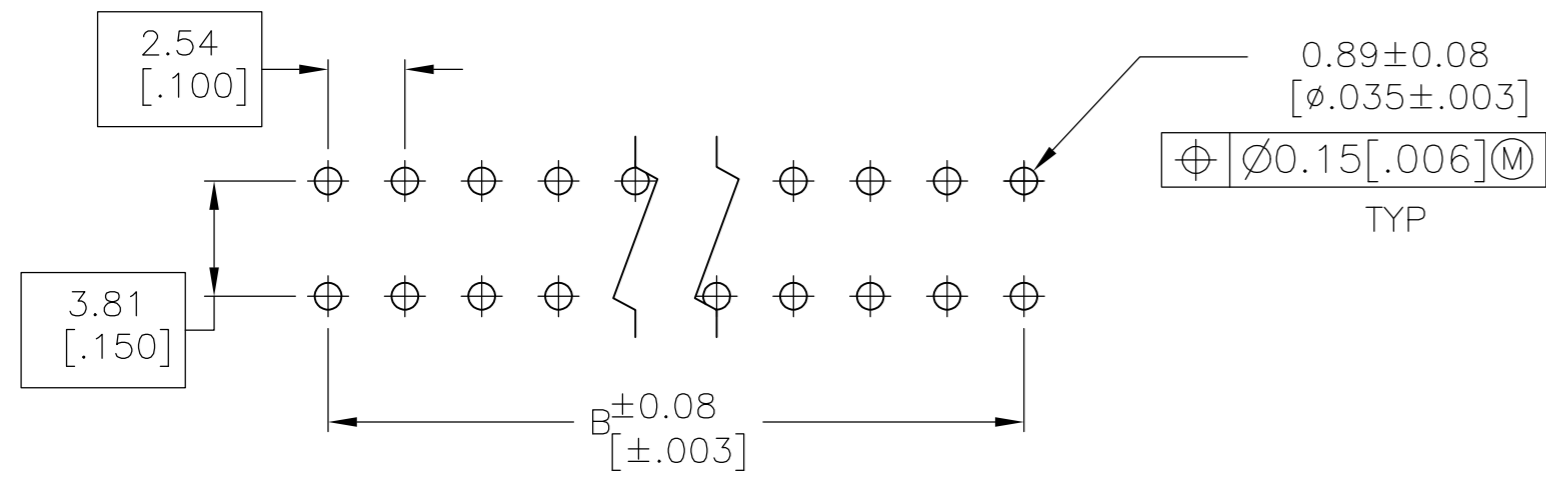


THIS DRAWING IS UNPUBLISHED. RELEASED FOR PUBLICATION
 © COPYRIGHT - By - ALL RIGHTS RESERVED.

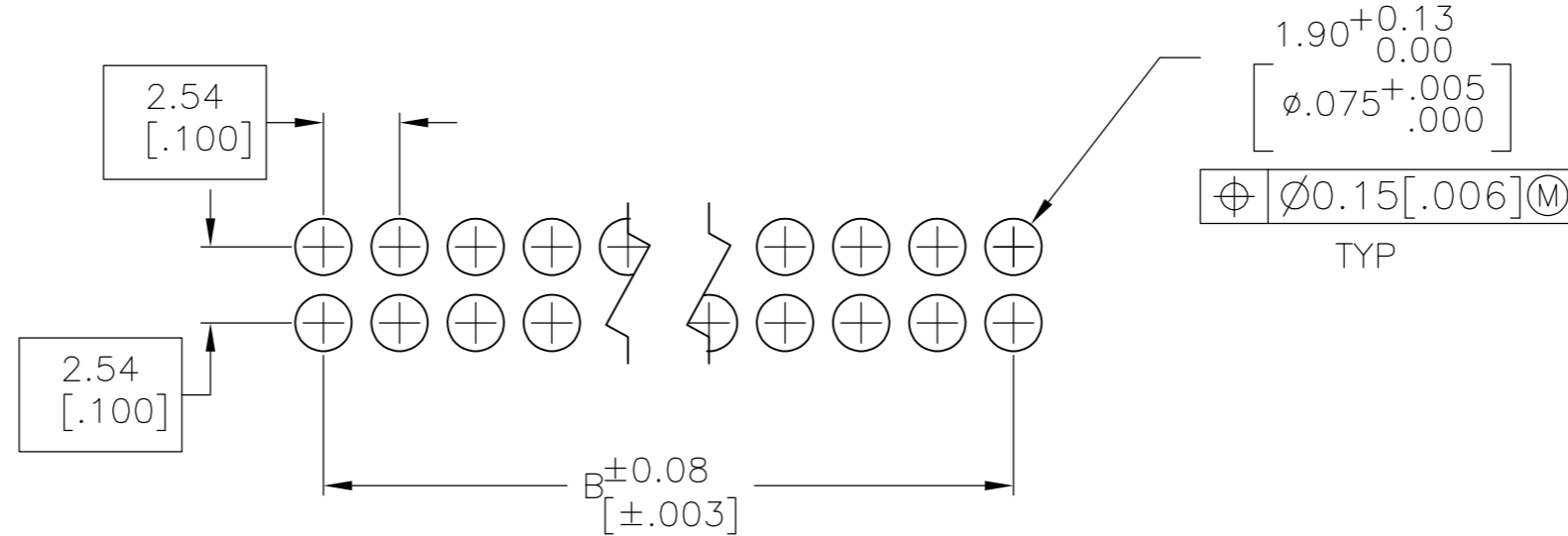
LOC		DIST		REVISIONS			
P	LTR	DESCRIPTION		DATE	DWN	APVD	
	V2	REVISED PER ECO-11-004820		11MAR11	RK	HMR	



- 1 TE CONNECTIVITY LOGO AND CSA LOGO ARE MOLDED INTO THE HOUSING.
- 2 TOLERANCE NON-CUMULATIVE.
- 3 DUPLEX PLATED: 0.00076 (.000030) GOLD IN CONTACT AREA, .00381-.00762 (.000150-.000300) BRIGHT TIN-LEAD ON LEADS, ALL OVER 0.00127 (.000050) MIN NICKEL.
- 4 THESE DIMENSIONS PERTAIN TO CAVITY C/L'S ONLY, NOT TO CONTACT LOCATIONS.
- 5 NO PART NUMBER MARKING REQUIRED ON THIS PART NUMBER.
- 6 HOUSING: FLAME RETARDANT GLASS FILLED POLYESTER - BLACK. CONTACTS: PHOS. BRONZE.
- 7 POINT OF CONTACT DIMENSION.
- 8 POINT OF MEASUREMENT FOR PLATING THICKNESS (INSIDE CONTACT BEAMS).
- 9 DUPLEX PLATED: 0.00076 (.000030) GOLD DUPLEX IN CONTACT AREA, 0.00381-0.00762 (.000150-.000300) MATTE TIN ON LEADS, ALL OVER 0.00127 (.000050) MIN NICKEL.
- 10 ROHS 2002/95/EC COMPLIANT
- 11 PART NUMBER AND DATE CODE ARE MARKED IN APPROXIMATE LOCATION SHOWN.
- 12 OBSOLETE PARTS: OBSOLETE CIS STREAMLINING PER D.RENAUD/D.SINISI



RECOMENDED HOLE LAYOUT FOR TOP ENTRY



RECOMENDED HOLE LAYOUT FOR BOTTOM ENTRY OR PASS THROUGH APPLICATIONS

THIS DRAWING IS A CONTROLLED DOCUMENT.		DWN	R. BOLES	19-11-92	 TE Connectivity
DIMENSIONS: mm [INCHES]		CHK	T. KINSEY	19-11-92	
TOLERANCES UNLESS OTHERWISE SPECIFIED:		APVD	-	-	
0 PLC ± - 1 PLC ± - 2 PLC ± - 3 PLC ± .005 4 PLC ± - ANGLES ± - FINISH		PRODUCT SPEC	108-25026	NAME	
MATERIAL		APPLICATION SPEC	114-25018	SIZE	A2
		WEIGHT	-	CAGE CODE	00779
		CUSTOMER DRAWING		DRAWING NO	C=534236
		SCALE	4:1	SHEET	1 OF 2
		REV	V2	RESTRICTED TO	

THIS DRAWING IS UNPUBLISHED. RELEASED FOR PUBLICATION
 © COPYRIGHT - By - ALL RIGHTS RESERVED.

LOC	DIST	REVISIONS					
AD	00	P	LTR	DESCRIPTION	DATE	DWN	APVD
		-		SEE SHEET 1	-	-	-

FINISH	A	B	NO OF POSN	PART NO.			
△5	OBSOLETE	△9	1.300	1.200	26	△10	9-534236-1
		△9	4.000	3.900	80	△10	9-534236-0
		△9	3.900	3.800	78	△10	8-534236-9
		△9	3.800	3.700	76	△10	8-534236-8
		△9	3.700	3.600	74	△10	8-534236-7
		△9	3.600	3.500	72	△10	8-534236-6
		△9	3.500	3.400	70	△10	8-534236-5
		△9	3.400	3.300	68	△10	8-534236-4
		△9	3.300	3.200	66	△10	8-534236-3
		△9	3.200	3.100	64	△10	8-534236-2
		△9	3.100	3.000	62	△10	8-534236-1
		△9	3.000	2.900	60	△10	8-534236-0
		△9	2.900	2.800	58	△10	7-534236-9
		△9	2.800	2.700	56	△10	7-534236-8
		△9	2.700	2.600	54	△10	7-534236-7
		△9	2.600	2.500	52	△10	7-534236-6
		△9	2.500	2.400	50	△10	7-534236-5
		△9	2.400	2.300	48	△10	7-534236-4
		△9	2.300	2.200	46	△10	7-534236-3
		△9	2.200	2.100	44	△10	7-534236-2
		△9	2.100	2.000	42	△10	7-534236-1
		△9	2.000	1.900	40	△10	7-534236-0
		△9	1.900	1.800	38	△10	6-534236-9
	OBSOLETE	△9	1.800	1.700	36	△10	6-534236-8
		△9	1.700	1.600	34	△10	6-534236-7
	OBSOLETE	△9	1.600	1.500	32	△10	6-534236-6
		△9	1.500	1.400	30	△10	6-534236-5
		△9	1.400	1.300	28	△10	6-534236-4
	OBSOLETE	△9	1.300	1.200	26	△10	6-534236-3
		△9	1.200	1.100	24	△10	6-534236-2
	OBSOLETE	△9	1.100	1.000	22	△10	6-534236-1
		△9	1.000	.900	20	△10	6-534236-0
	OBSOLETE	△9	.900	.800	18	△10	5-534236-9
		△9	.800	.700	16	△10	5-534236-8
		△9	.700	.600	14	△10	5-534236-7
		△9	.600	.500	12	△10	5-534236-6
		△5	.500	.400	10	△10	5-534236-5
△5	OBSOLETE	△9	.400	.300	8	△10	5-534236-4
△5	OBSOLETE	△9	.300	.200	6	△10	5-534236-3
△5	OBSOLETE	△9	.200	.100	4	△10	5-534236-2
△5	OBSOLETE	△9	.100	-	2	△10	5-534236-1

FINISH	A	B	NO OF POSN	PART NO.				
△5	△12	OBSOLETE	△3	1.300	1.200	26	△4	534236-1
			△3	4.000	3.900	80	△4	534236-0
			△3	3.900	3.800	78	△3	534236-9
			△3	3.800	3.700	76	△3	534236-8
			△3	3.700	3.600	74	△3	534236-7
			△3	3.600	3.500	72	△3	534236-6
			△3	3.500	3.400	70	△3	534236-5
			△3	3.400	3.300	68	△3	534236-4
			△3	3.300	3.200	66	△3	534236-3
			△3	3.200	3.100	64	△3	534236-2
			△3	3.100	3.000	62	△3	534236-1
			△3	3.000	2.900	60	△3	534236-0
			△3	2.900	2.800	58	△2	534236-9
			△3	2.800	2.700	56	△2	534236-8
			△3	2.700	2.600	54	△2	534236-7
			△3	2.600	2.500	52	△2	534236-6
			△3	2.500	2.400	50	△2	534236-5
			△3	2.400	2.300	48	△2	534236-4
			△3	2.300	2.200	46	△2	534236-3
			△3	2.200	2.100	44	△2	534236-2
			△3	2.100	2.000	42	△2	534236-1
			△3	2.000	1.900	40	△2	534236-0
			△3	1.900	1.800	38	△1	534236-9
			△3	1.800	1.700	36	△1	534236-8
			△3	1.700	1.600	34	△1	534236-7
			△3	1.600	1.500	32	△1	534236-6
			△3	1.500	1.400	30	△1	534236-5
			△3	1.400	1.300	28	△1	534236-4
			△3	1.300	1.200	26	△1	534236-3
			△3	1.200	1.100	24	△1	534236-2
			△3	1.100	1.000	22	△1	534236-1
			△3	1.000	.900	20	△1	534236-0
			△3	.900	.800	18	△1	534236-9
			△3	.800	.700	16	△1	534236-8
			△3	.700	.600	14	△1	534236-7
			△3	.600	.500	12	△1	534236-6
			△3	.500	.400	10	△5	534236-5
			△3	.400	.300	8	△5	534236-4
			△3	.300	.200	6	△5	534236-3
			△3	.200	.100	4	△5	534236-2
			△3	.100	-	2	△5	534236-1

THIS DRAWING IS A CONTROLLED DOCUMENT.

DWN R. BOLES 19-11-92	TE Connectivity
CHK T. KINSEY 19-11-92	
APVD -	NAME
PRODUCT SPEC 108-25026	ASSEMBLY, MOD II DOUBLE ROW, .100 X .100 C/L, VERTICAL MOUNTED, CLOSED ENTRY, SHORT PT. CONTACTS
APPLICATION SPEC 114-25018	
WEIGHT -	RESTRICTED TO -
CUSTOMER DRAWING	SCALE 4:1 SHEET 2 OF 2 REV V2

X-ON Electronics

Largest Supplier of Electrical and Electronic Components

Click to view similar products for [Headers & Wire Housings](#) category:

Click to view products by [TE Connectivity](#) manufacturer:

Other Similar products are found below :

[892-18-020-10-001101](#) [58102-G61-06LF](#) [582553-1](#) [0009485154](#) [009176003701906](#) [0050291907](#) [LY20-4P-DT1-P1E-BR](#) [02.125.8002.8](#)
[609-3404](#) [61062-3](#) [61082-181009](#) [622-3653LF](#) [63453-116](#) [636-1030](#) [636-1427](#) [636-3427](#) [636-4007](#) [641938-9](#) [641991-4](#) [644827-2](#) [65817-](#)
[010LF](#) [65817-015LF](#) [65863-015LF](#) [66207-023LF](#) [67095-007LF](#) [67601157](#) [68648-049](#) [70.362.1628.0](#) [70-4210](#) [70-4226B](#) [70-4853B](#) [707-](#)
[5020](#) [707-5028](#) [71.350.2428.0](#) [71918-208LF](#) [71961-016LF](#) [733-134](#) [733-162](#) [754199-000](#) [760-3052](#) [787-8014-00](#) [79531-3000](#) [FCN-](#)
[360C032-B](#) [FCN-367T-T012/H](#) [FCN-723D010/2](#) [80.063.4001.1](#) [800-90-001-10-001000](#) [800-90-010-10-002000](#) [801-43-002-10-013000](#)
[801-43-006-10-002000](#)