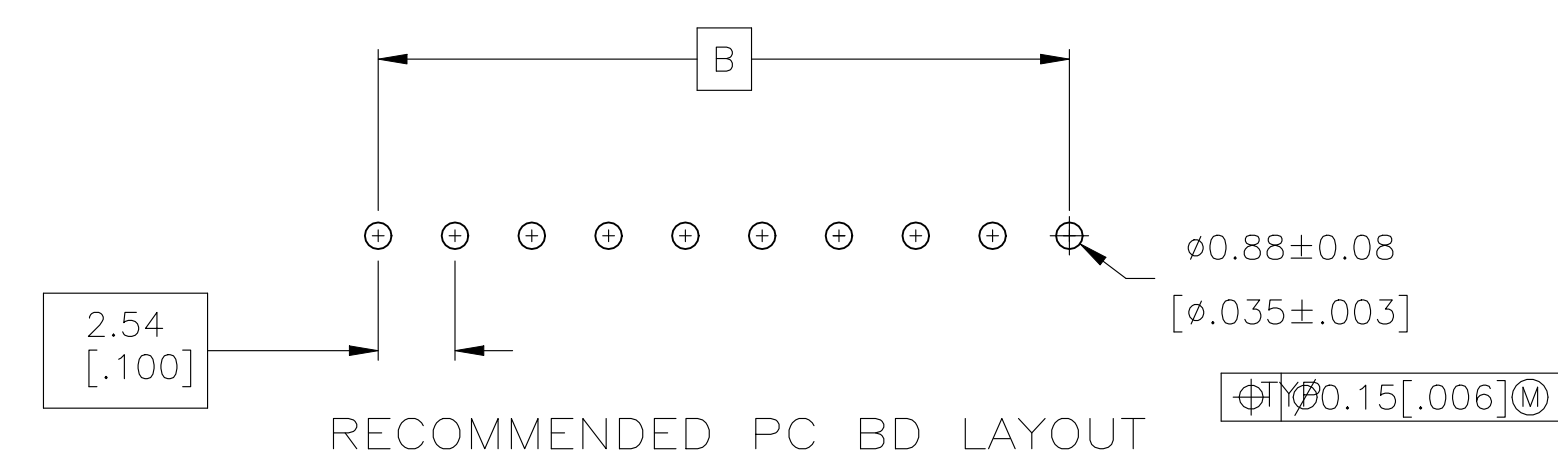
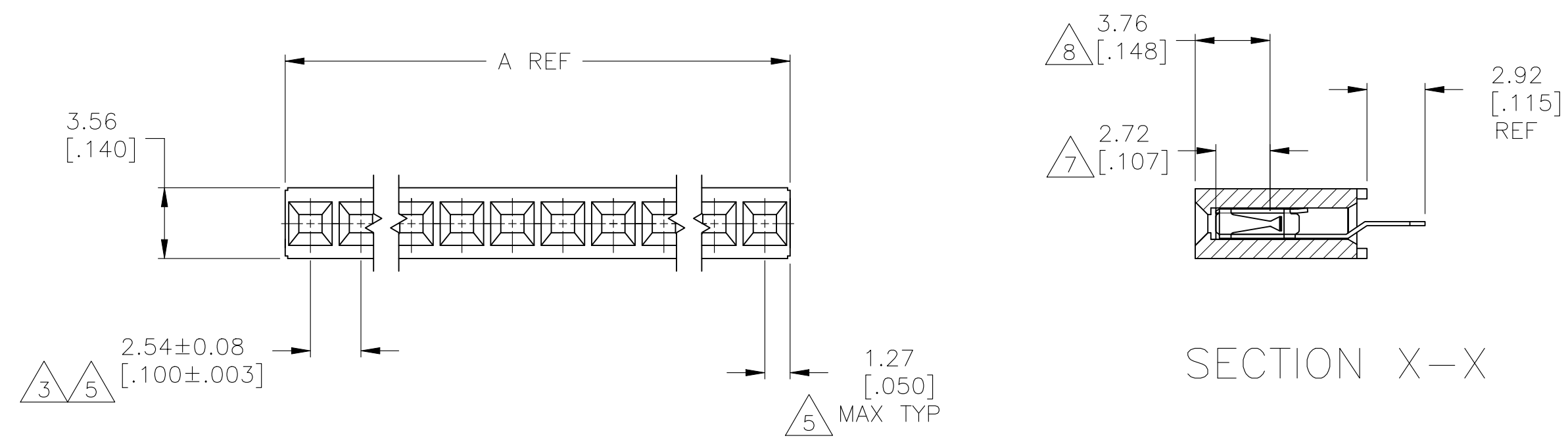
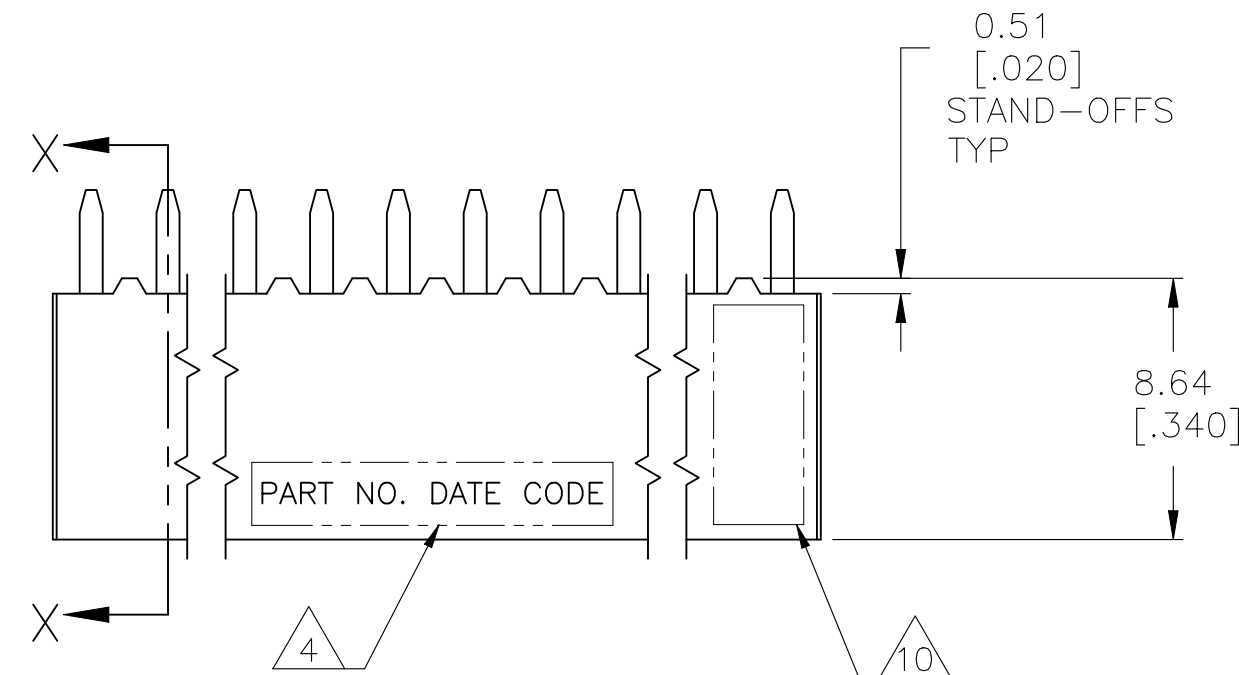


| REVISIONS | | | | |
|-----------|-----|---------------------------------------|-----------|----------|
| P | LTR | DESCRIPTION | DATE | DRN APVD |
| S | | RESIN SUPPLIER CHANGE FOR THE HOUSING | 03DEC2021 | SCB KJK |



- 1 HOUSING: FLAME RETARDANT, GLASS FILLED, POLYESTER, COLOR: BLACK. CONTACT: PHOSPHOR BRONZE
- 2 CONTACT: DUPLEX PLATED 0.76µm[.000030] GOLD IN CONTACT AREA, 3.81-7.62µm[.000150-.000300] BRIGHT TIN-LEAD ON LEADS ALL OVER 1.27µm[.000050] MIN NICKEL
- 3 THESE DIMENSIONS PERTAIN TO CAVITY CENTERLINES ONLY - NOT TO CONTACT LOCATIONS
- 4 PART NUMBER AND DATE CODE MARKED IN APPROXIMATE LOCATION SHOWN, EITHER SIDE.
- 5 TOLERANCE IS NON-CUMULATIVE.
- 6 2 POSITION DATE CODE IS MARKED OPPOSITE SIDE OF TE CONNECTIVITY LOGO.
- 7 POINT-OF-MEASUREMENT DIMENSION FOR PLATING THICKNESS (INSIDE CONTACT BEAM).
- 8 POINT-OF-CONTACT DIMENSION.
- 9 NO PART NUMBER MARKING REQUIRED FOR THIS PART.
- 10 TE CONNECTIVITY LOGO AND CSA LOGO ARE MOLDED INTO HOUSING, THIS LOCATION.
- 11 CONTACT: DUPLEX PLATED 0.76µm[.000030] GOLD IN CONTACT AREA, 3.81-7.62µm[.000150-.000300] MATTE TIN ON LEADS ALL OVER 1.27µm[.000050] MIN NICKEL
- 12 ROHS 2002/95/EC COMPLIANT

| 6 | 9 | OBSOLETE | 2.54 [.100] | 5.08 [.200] | 2 | 12 | 8-534237-9 |
|---|---|----------|---------------|----------------|------------|-------------|------------|
| | | | 99.06 [3.900] | 101.60 [4.000] | 40 | 12 | 8-534237-8 |
| | | | 96.52 [3.800] | 99.06 [3.900] | 39 | 12 | 8-534237-7 |
| | | | 93.98 [3.700] | 96.52 [3.800] | 38 | 12 | 8-534237-6 |
| | | | 91.44 [3.600] | 93.98 [3.700] | 37 | 12 | 8-534237-5 |
| | | | 88.90 [3.500] | 91.44 [3.600] | 36 | 12 | 8-534237-4 |
| | | | 86.36 [3.400] | 88.90 [3.500] | 35 | 12 | 8-534237-3 |
| | | | 83.82 [3.300] | 86.36 [3.400] | 34 | 12 | 8-534237-2 |
| | | | 81.28 [3.200] | 83.82 [3.300] | 33 | 12 | 8-534237-1 |
| | | | 78.74 [3.100] | 81.28 [3.200] | 32 | 12 | 8-534237-0 |
| | | | 76.20 [3.000] | 78.74 [3.100] | 31 | 12 | 7-534237-9 |
| | | | 73.66 [2.900] | 76.20 [3.000] | 30 | 12 | 7-534237-8 |
| | | | 71.12 [2.800] | 73.66 [2.900] | 29 | 12 | 7-534237-7 |
| | | | 68.58 [2.700] | 71.12 [2.800] | 28 | 12 | 7-534237-6 |
| | | | 66.04 [2.600] | 68.58 [2.700] | 27 | 12 | 7-534237-5 |
| | | | 63.50 [2.500] | 66.04 [2.600] | 26 | 12 | 7-534237-4 |
| | | | 60.96 [2.400] | 63.50 [2.500] | 25 | 12 | 7-534237-3 |
| | | | 58.42 [2.300] | 60.96 [2.400] | 24 | 12 | 7-534237-2 |
| | | | 55.88 [2.200] | 58.42 [2.300] | 23 | 12 | 7-534237-1 |
| | | | 53.34 [2.100] | 55.88 [2.200] | 22 | 12 | 7-534237-0 |
| | | | 50.80 [2.000] | 53.34 [2.100] | 21 | 12 | 6-534237-9 |
| | | | 48.26 [1.900] | 50.80 [2.000] | 20 | 12 | 6-534237-8 |
| | | | 45.72 [1.800] | 48.26 [1.900] | 19 | 12 | 6-534237-7 |
| | | | 43.18 [1.700] | 45.72 [1.800] | 18 | 12 | 6-534237-6 |
| | | | 40.64 [1.600] | 43.18 [1.700] | 17 | 12 | 6-534237-5 |
| | | | 38.10 [1.500] | 40.64 [1.600] | 16 | 12 | 6-534237-4 |
| | | | 35.56 [1.400] | 38.10 [1.500] | 15 | 12 | 6-534237-3 |
| | | | 33.02 [1.300] | 35.56 [1.400] | 14 | 12 | 6-534237-2 |
| | | | 30.48 [1.200] | 33.02 [1.300] | 13 | 12 | 6-534237-1 |
| | | | 27.94 [1.100] | 30.48 [1.200] | 12 | 12 | 6-534237-0 |
| | | | 25.40 [1.000] | 27.94 [1.100] | 11 | 12 | 5-534237-9 |
| | | | 22.86 [.900] | 25.40 [1.000] | 10 | 12 | 5-534237-8 |
| | | | 20.32 [.800] | 22.86 [.900] | 9 | 12 | 5-534237-7 |
| | | | 17.78 [.700] | 20.32 [.800] | 8 | 12 | 5-534237-6 |
| | | | 15.24 [.600] | 17.78 [.700] | 7 | 12 | 5-534237-5 |
| | | | 12.70 [.500] | 15.24 [.600] | 6 | 12 | 5-534237-4 |
| | | | 10.16 [.400] | 12.70 [.500] | 5 | 12 | 5-534237-3 |
| | | | 7.62 [.300] | 10.16 [.400] | 4 | 12 | 5-534237-2 |
| | | | 5.08 [.200] | 7.62 [.300] | 3 | 12 | 5-534237-1 |
| | | | B | A | NO OF POSN | PART NUMBER | |

| 9 | OBSOLETE | 2.54 [.100] | 5.08 [.200] | 2 | 3 | 534237-9 |
|---|----------|---------------|----------------|----|------------|-------------|
| | | 99.06 [3.900] | 101.60 [4.000] | 40 | 3 | 3-534237-8 |
| | | 96.52 [3.800] | 99.06 [3.900] | 39 | 3 | 3-534237-7 |
| | | 93.98 [3.700] | 96.52 [3.800] | 38 | 3 | 3-534237-6 |
| | | 91.44 [3.600] | 93.98 [3.700] | 37 | 3 | 3-534237-5 |
| | | 88.90 [3.500] | 91.44 [3.600] | 36 | 3 | 3-534237-4 |
| | | 86.36 [3.400] | 88.90 [3.500] | 35 | 3 | 3-534237-3 |
| | | 83.82 [3.300] | 86.36 [3.400] | 34 | 3 | 3-534237-2 |
| | | 81.28 [3.200] | 83.82 [3.300] | 33 | 3 | 3-534237-1 |
| | | 78.74 [3.100] | 81.28 [3.200] | 32 | 3 | 3-534237-0 |
| | | 76.20 [3.000] | 78.74 [3.100] | 31 | 3 | 2-534237-9 |
| | | 73.66 [2.900] | 76.20 [3.000] | 30 | 3 | 2-534237-8 |
| | | 71.12 [2.800] | 73.66 [2.900] | 29 | 3 | 2-534237-7 |
| | | 68.58 [2.700] | 71.12 [2.800] | 28 | 3 | 2-534237-6 |
| | | 66.04 [2.600] | 68.58 [2.700] | 27 | 3 | 2-534237-5 |
| | | 63.50 [2.500] | 66.04 [2.600] | 26 | 3 | 2-534237-4 |
| | | 60.96 [2.400] | 63.50 [2.500] | 25 | 3 | 2-534237-3 |
| | | 58.42 [2.300] | 60.96 [2.400] | 24 | 3 | 2-534237-2 |
| | | 55.88 [2.200] | 58.42 [2.300] | 23 | 3 | 2-534237-1 |
| | | 53.34 [2.100] | 55.88 [2.200] | 22 | 3 | 2-534237-0 |
| | | 50.80 [2.000] | 53.34 [2.100] | 21 | 3 | 1-534237-9 |
| | | 48.26 [1.900] | 50.80 [2.000] | 20 | 3 | 1-534237-8 |
| | | 45.72 [1.800] | 48.26 [1.900] | 19 | 3 | 1-534237-7 |
| | | 43.18 [1.700] | 45.72 [1.800] | 18 | 3 | 1-534237-6 |
| | | 40.64 [1.600] | 43.18 [1.700] | 17 | 3 | 1-534237-5 |
| | | 38.10 [1.500] | 40.64 [1.600] | 16 | 3 | 1-534237-4 |
| | | 35.56 [1.400] | 38.10 [1.500] | 15 | 3 | 1-534237-3 |
| | | 33.02 [1.300] | 35.56 [1.400] | 14 | 3 | 1-534237-2 |
| | | 30.48 [1.200] | 33.02 [1.300] | 13 | 3 | 1-534237-1 |
| | | 27.94 [1.100] | 30.48 [1.200] | 12 | 3 | 1-534237-0 |
| | | 25.40 [1.000] | 27.94 [1.100] | 11 | 3 | 534237-9 |
| | | 22.86 [.900] | 25.40 [1.000] | 10 | 3 | 534237-8 |
| | | 20.32 [.800] | 22.86 [.900] | 9 | 3 | 534237-7 |
| | | 17.78 [.700] | 20.32 [.800] | 8 | 3 | 534237-6 |
| | | 15.24 [.600] | 17.78 [.700] | 7 | 3 | 534237-5 |
| | | 12.70 [.500] | 15.24 [.600] | 6 | 3 | 534237-4 |
| | | 10.16 [.400] | 12.70 [.500] | 5 | 3 | 534237-3 |
| | | 7.62 [.300] | 10.16 [.400] | 4 | 3 | 534237-2 |
| | | 5.08 [.200] | 7.62 [.300] | 3 | 3 | 534237-1 |
| | | | B | A | NO OF POSN | PART NUMBER |

THIS DRAWING IS A CONTROLLED DOCUMENT.

DIMENSIONS: mm [NCHES]

TOLERANCES UNLESS OTHERWISE SPECIFIED:

| | | |
|--------|---|------------|
| 0. PLC | ± | - |
| 1. PLC | ± | - |
| 2. PLC | ± | 0.25[.010] |
| 3. PLC | ± | 0.13[.005] |
| 4. PLC | ± | - |
| ANGLES | ± | - |

MATERIAL: 1

FINISH: SEE TABLE

WEIGHT: -

SCALE: 4:1

SHEET 1 of 1

REV S

TE Connectivity

RECPT.ASSY, MOD IV, SINGLE ROW, .100CL, VERTICAL BOARD MOUNT, CLOSED, TOP ENTRY, SHORT PNT. OF CONTACT

108-25022

114-25018

00779

534237

X-ON Electronics

Largest Supplier of Electrical and Electronic Components

Click to view similar products for [Headers & Wire Housings](#) category:

Click to view products by [TE Connectivity](#) manufacturer:

Other Similar products are found below :

[892-18-020-10-001101](#) [58102-G61-06LF](#) [582553-1](#) [0009485154](#) [009176003701906](#) [0050291907](#) [LY20-4P-DT1-P1E-BR](#) [02.125.8002.8](#)
[609-3404](#) [61062-3](#) [61082-181009](#) [622-3653LF](#) [63453-116](#) [636-1030](#) [636-1427](#) [636-3427](#) [636-4007](#) [641938-9](#) [641991-4](#) [644827-2](#) [65817-010LF](#) [65817-015LF](#) [65863-015LF](#) [66207-023LF](#) [67095-007LF](#) [67601157](#) [68645-018](#) [68648-049](#) [70.362.1628.0](#) [70-4210](#) [70-4226B](#) [70-4853B](#) [707-5020](#) [707-5028](#) [71.350.2428.0](#) [71918-208LF](#) [71961-016LF](#) [733-134](#) [733-162](#) [754199-000](#) [760-3052](#) [787-8014-00](#) [79531-3000](#)
[FCN-360C032-B](#) [FCN-367T-T012/H](#) [FCN-723D010/2](#) [80.063.4001.1](#) [800-90-001-10-001000](#) [800-90-010-10-002000](#) [801-43-002-10-013000](#)