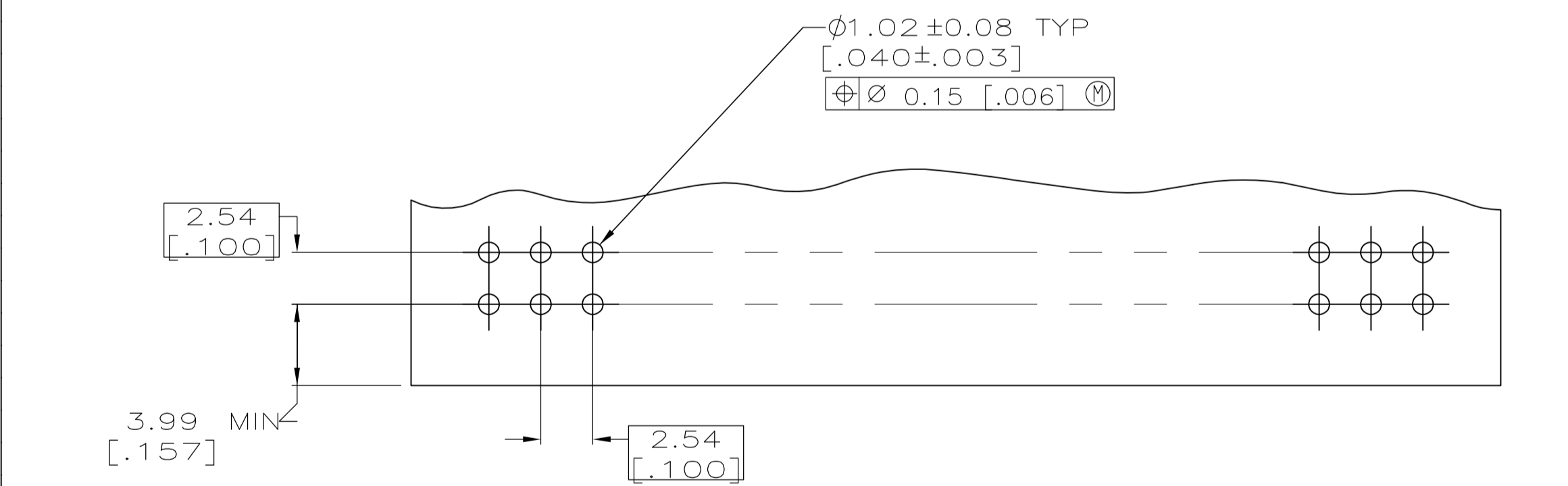
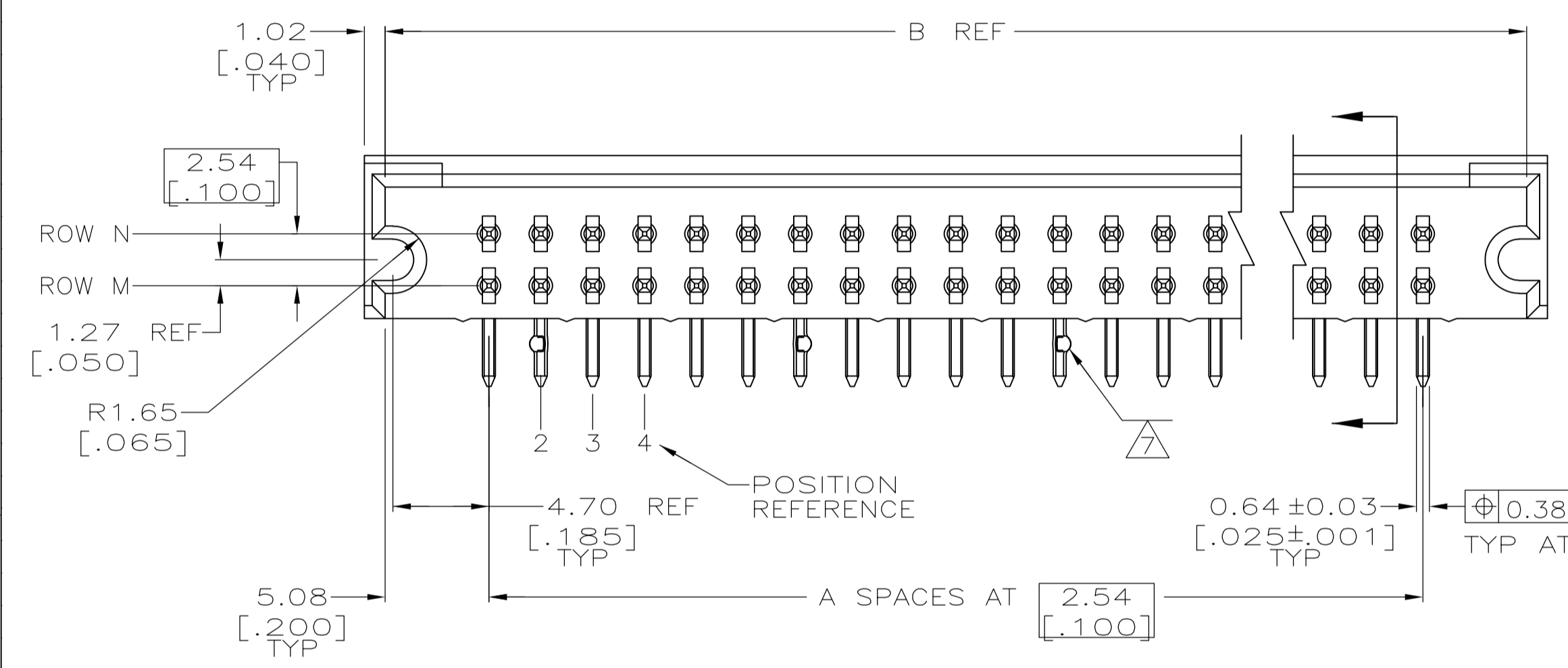
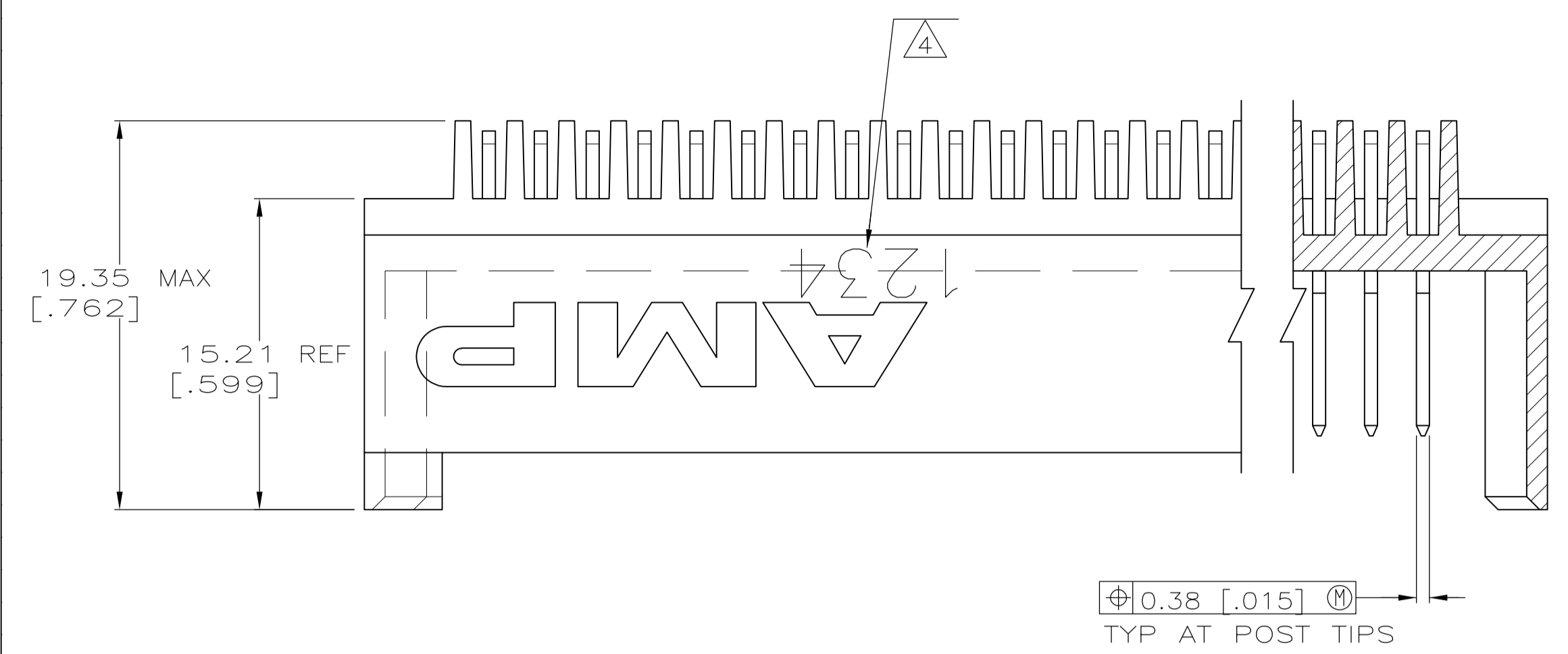
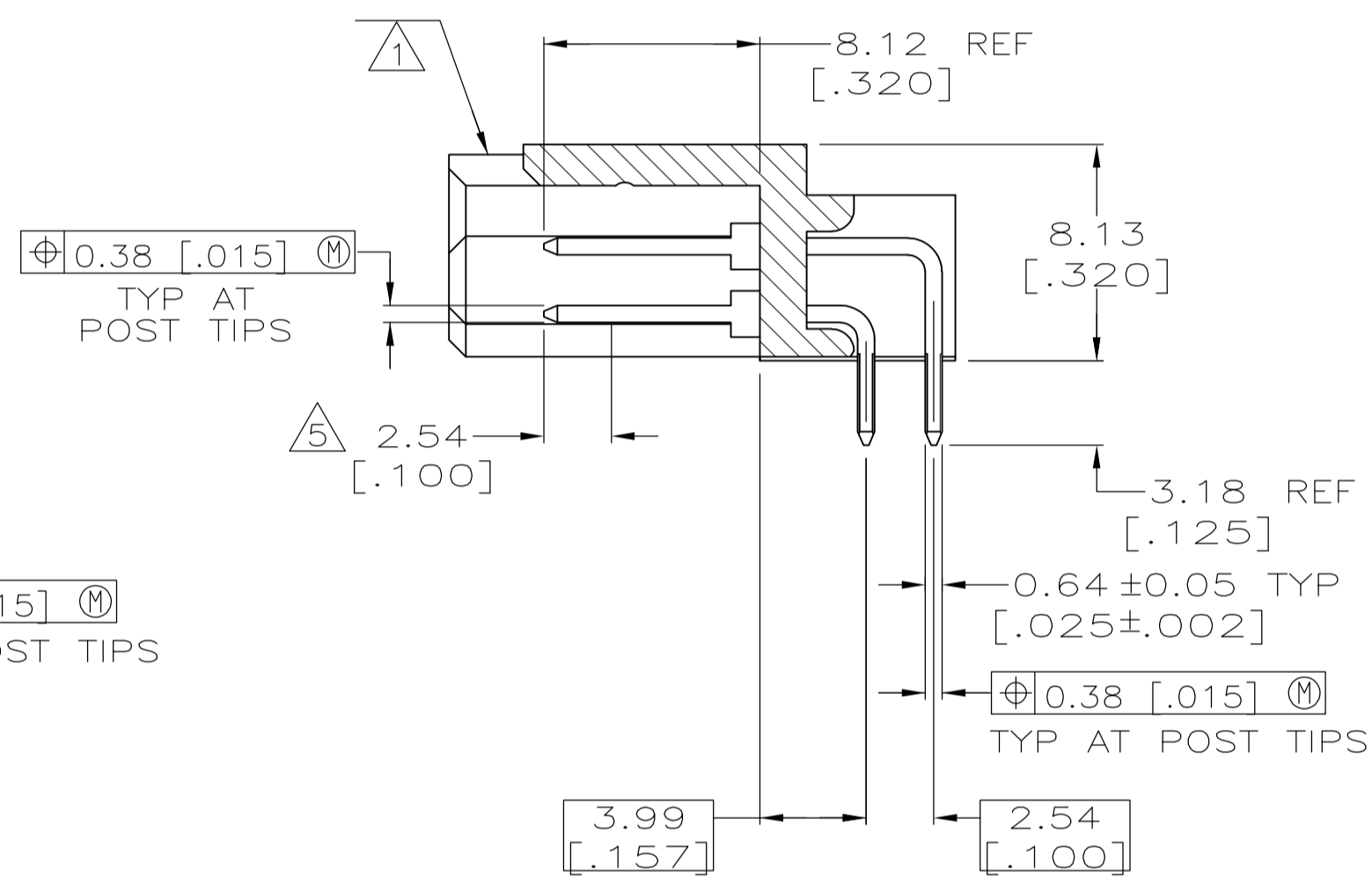


LOC		DIST		REVISIONS			
AD	39	P	LTR	DESCRIPTION	DATE	DMN	APVD
		J1		ECO-05-7481	14FEB06	MB	JO
		J2		REVISED PER ECO-10-000443	12JAN09	KK	AEG



RECOMMENDED P.C. BOARD HOLE LAYOUT



- 1 HOUSING: FLAME RETARDANT THERMOPLASTIC; COLOR: BLACK.
- 2 POST: PHOSPHOR BRONZE
- 3 POST FINISH: 0.00076 [.000030] GOLD ON CONTACT AREA, 0.00254 [.000100] MIN BRIGHT TIN-LEAD ON SOLDER LEADS, ALL OVER 0.00127 [.000050] NICKEL.
- 4 RECESSED DATE CODE.
- 5 POINT OF MEASUREMENT FOR GOLD PLATING THICKNESS.
- 6 CSA LOGO RECESS STAMPED ON HOUSING.
- 7 BOARD RETENTION FEATURE WHERE INDICATED.
- 8 POST FINISH: 0.00076 [.000030] GOLD ON CONTACT AREA, 0.00254 [.000100] MIN MATTE TIN ON SOLDER LEADS, ALL OVER 0.00127 [.000050] NICKEL.
- 9 ROHS 2002/95/EC COMPLIANT
- 10 OBSOLETE PARTS: OBSOLETE CIS STREAMLINING PER D.RENAUD/D.SINISI

OBSOLETE	8	2, 22, 43, 64	2, 22, 43, 64	172.72 [6.800]	64	130	9-6-534245-3
		2, 18, 37, 54	2, 18, 37, 54	147.32 [5.800]	54	110	9-6-534245-2
		2, 17, 33, 49	2, 17, 33, 49	134.62 [5.300]	49	100	9-6-534245-1
		2, 20, 39	2, 20, 39	109.22 [4.300]	39	80	9-6-534245-0
		2, 18, 34	2, 18, 34	96.52 [3.800]	34	70	9-5-534245-9
		4, 9, 14	4, 9, 14	53.34 [2.100]	17	36	9-5-534245-8
		5, 6, 7	5, 6, 7	38.10 [1.500]	11	24	9-5-534245-7
		4, 5, 6	4, 5, 6	33.02 [1.300]	9	20	9-5-534245-6
		2, 3, 4	2, 3, 4	22.86 [.900]	5	12	9-5-534245-5
		3, 4, 5	3, 4, 5	27.94 [1.100]	7	16	9-5-534245-4
OBSOLETE	3	2, 20, 40, 59	2, 20, 40, 59	160.02 [6.300]	59	120	9-5-534245-3
		3, 8, 13	3, 8, 13	45.72 [1.800]	14	30	9-5-534245-2
		8, 13, 18	8, 13, 18	71.12 [2.800]	24	50	9-5-534245-1
		2, 22, 43, 64	2, 22, 43, 64	172.72 [6.800]	64	130	1-534245-3
		2, 18, 37, 54	2, 18, 37, 54	147.32 [5.800]	54	110	1-534245-2
		2, 17, 33, 49	2, 17, 33, 49	134.62 [5.300]	49	100	1-534245-1
		2, 20, 39	2, 20, 39	109.22 [4.300]	39	80	1-534245-0
		2, 18, 34	2, 18, 34	96.52 [3.800]	34	70	534245-9
		4, 9, 14	4, 9, 14	53.34 [2.100]	17	36	534245-8
		5, 6, 7	5, 6, 7	38.10 [1.500]	11	24	534245-7
OBSOLETE	3	4, 5, 6	4, 5, 6	33.02 [1.300]	9	20	534245-6
		2, 3, 4	2, 3, 4	22.86 [.900]	5	12	534245-5
		3, 4, 5	3, 4, 5	27.94 [1.100]	7	16	534245-4
		2, 20, 40, 59	2, 20, 40, 59	160.02 [6.300]	59	120	534245-3
		3, 8, 13	3, 8, 13	45.72 [1.800]	14	30	534245-2
		8, 13, 18	8, 13, 18	71.12 [2.800]	24	50	534245-1
		2, 22, 43, 64	2, 22, 43, 64	172.72 [6.800]	64	130	534245-3
		2, 18, 37, 54	2, 18, 37, 54	147.32 [5.800]	54	110	534245-2
		2, 17, 33, 49	2, 17, 33, 49	134.62 [5.300]	49	100	534245-1
		2, 20, 39	2, 20, 39	109.22 [4.300]	39	80	534245-0
FINISH		ROW M	ROW N	B	A	NO OF POSN	PART NUMBER
		BOARD RETENTION LOCATION					

10 SUPERSEDED BY 5-534245-8
 10 OBSOLETE
 10 OBSOLETE
 10 OBSOLETE

X-ON Electronics

Largest Supplier of Electrical and Electronic Components

Click to view similar products for [Headers & Wire Housings](#) category:

Click to view products by [TE Connectivity](#) manufacturer:

Other Similar products are found below :

[892-18-020-10-001101](#) [58102-G61-06LF](#) [582553-1](#) [0009485154](#) [009176003701906](#) [0050291907](#) [LY20-4P-DT1-P1E-BR](#) [02.125.8002.8](#)
[609-3404](#) [61062-3](#) [61082-181009](#) [622-3653LF](#) [63453-116](#) [636-1030](#) [636-1427](#) [636-3427](#) [636-4007](#) [641938-9](#) [641991-4](#) [644827-2](#) [65817-](#)
[010LF](#) [65817-015LF](#) [65863-015LF](#) [66207-023LF](#) [67095-007LF](#) [67601157](#) [68645-018](#) [68648-049](#) [70.362.1628.0](#) [70-4210](#) [70-4226B](#) [70-](#)
[4853B](#) [707-5020](#) [707-5028](#) [71.350.2428.0](#) [71918-208LF](#) [71961-016LF](#) [733-134](#) [733-162](#) [754199-000](#) [760-3052](#) [787-8014-00](#) [79531-3000](#)
[FCN-360C032-B](#) [FCN-367T-T012/H](#) [FCN-723D010/2](#) [80.063.4001.1](#) [800-90-001-10-001000](#) [800-90-010-10-002000](#) [801-43-002-10-013000](#)