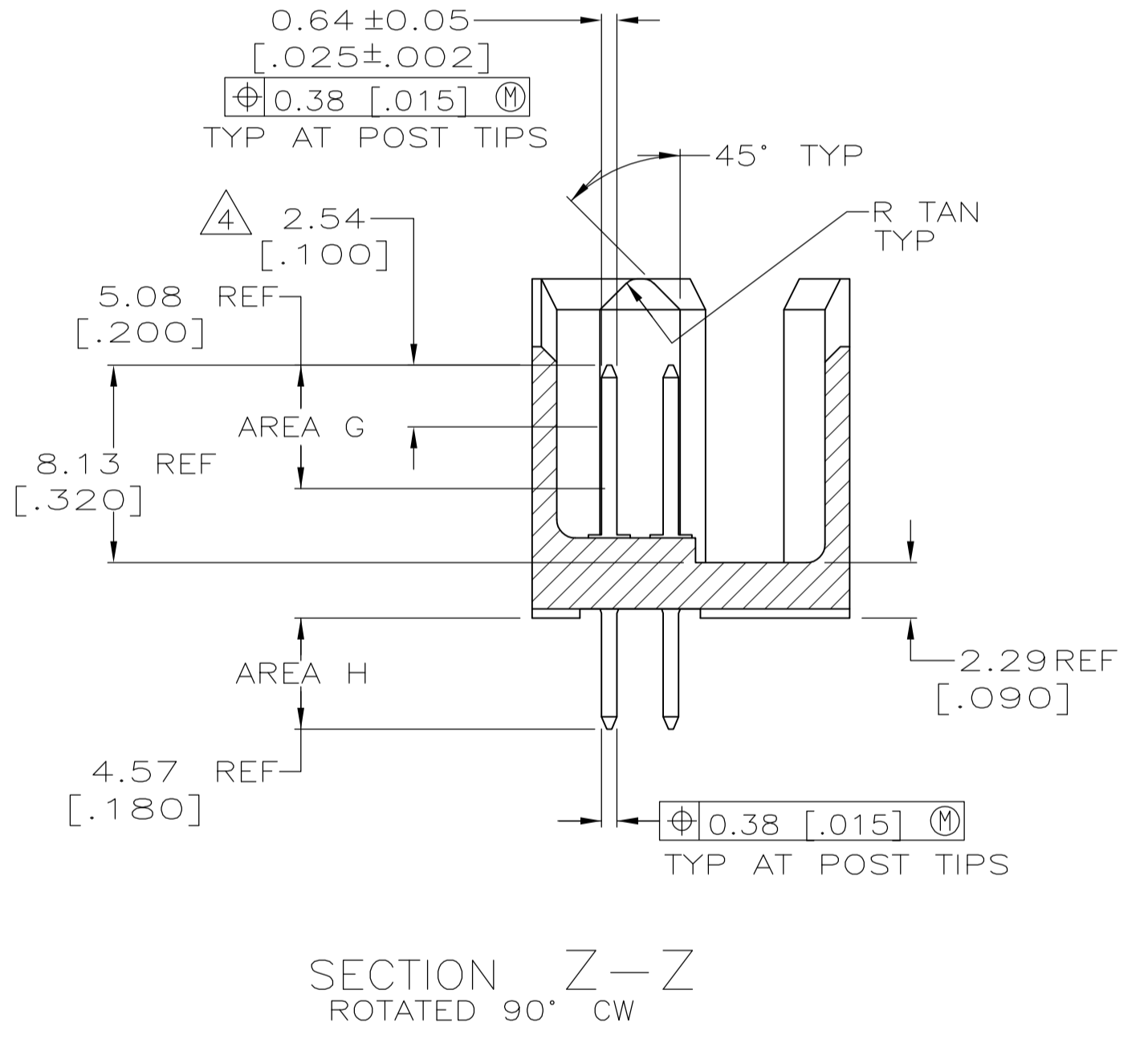
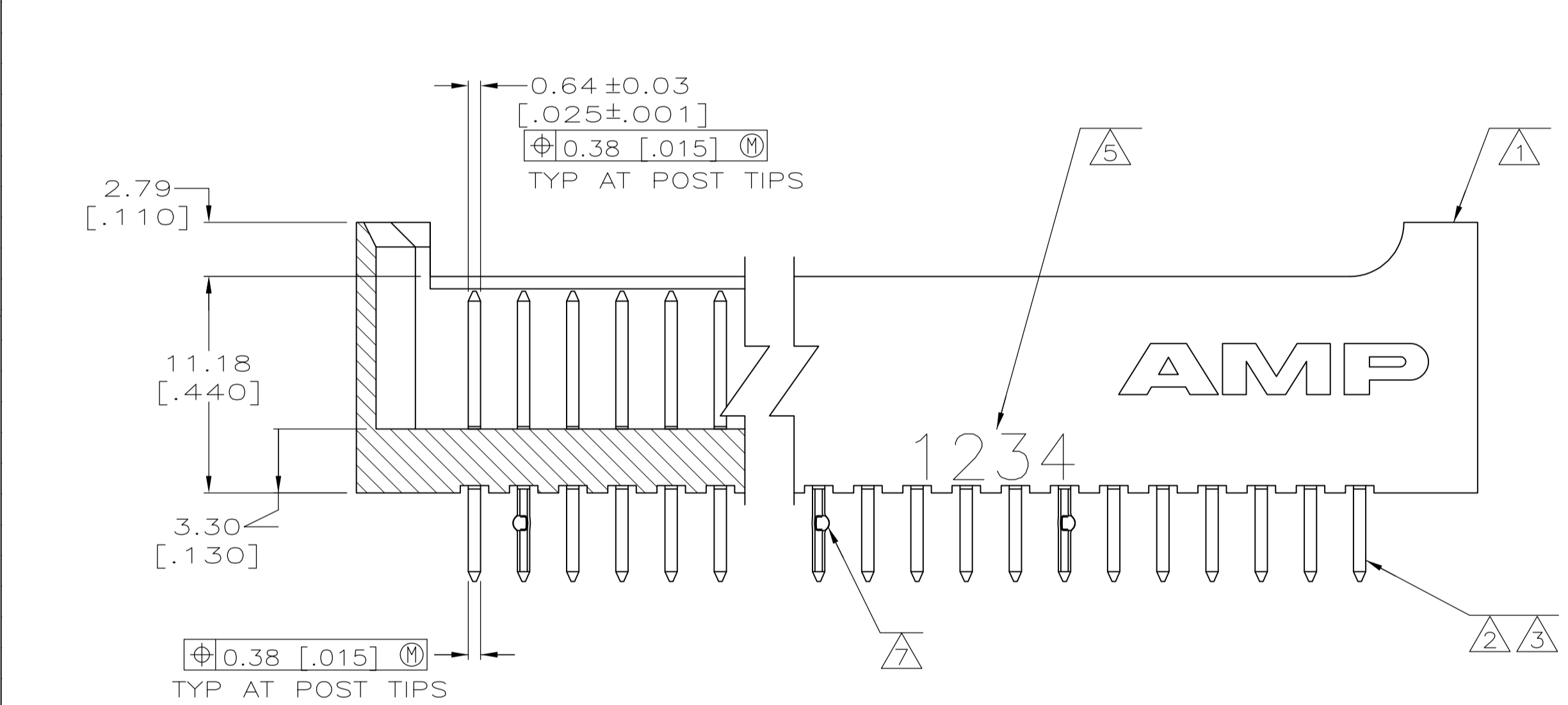
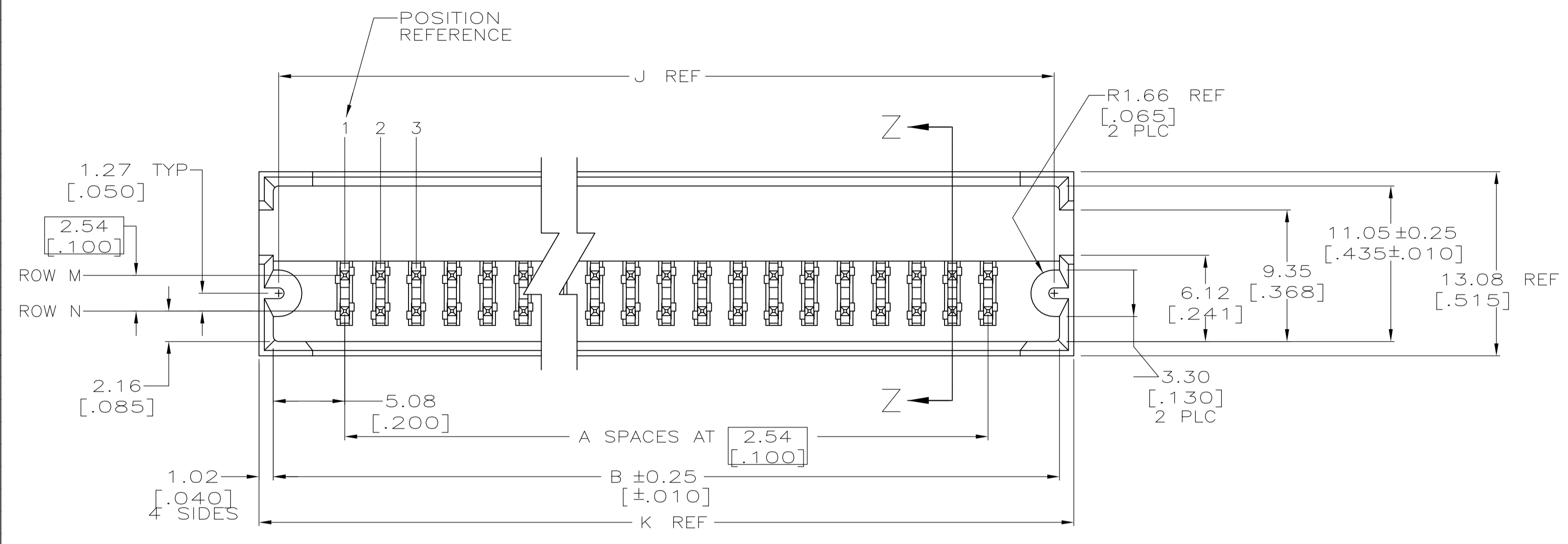


REVISES		DATE	BY	APP'D
AD	39			
N2	ECO-07-016583	11DEC07	MB	JO
N3	REVISED PER ECO-10-000443	12JAN10	KK	AEG



- △ HOUSING: FLAME RETARDANT THERMOPLASTIC; COLOR: BLACK.
- △ POST: COPPER ALLOY.
- △ POST FINISH: 0.00038 [.000015] GOLD IN AREA G, 0.00254-0.00508 [.000100-.000200] BRIGHT TIN-LEAD IN AREA H, ALL OVER 0.00127 [.000050] NICKEL.
- △ POINT OF MEASUREMENT FOR PLATING THICKNESS.
- △ RECESSED DATE CODE.
- 6. CSA LOGO RECESS STAMPED ON HOUSING.
- △ BOARD RETENTION FEATURE WHERE INDICATED.
- △ POST FINISH: 0.00038 [.000015] GOLD IN AREA G, 0.00254-0.00508 [.000100-.000200] MATTE TIN IN AREA H, ALL OVER 0.00127 [.000050] NICKEL.
- △ ROHS 2002/95/EC COMPLIANT
- △ OBSOLETE PARTS: OBSOLETE CIS STREAMLINING PER D.RENAUD/D.SINISI

REV	DESCRIPTION	DATE	BY	APP'D	FINISH	BOARD RETENTION LOCATION	K	J	B	A	NO OF POSN	PART NUMBER
△10	OBSOLETE	2,23,67,99	2,23,67,99	263.65	260.86	261.62	99	200	△6-534257-9			
△10	OBSOLETE	1,2,5,6	1,2,5,6	24.89	22.10	22.86	5	12	△6-534257-8			
△10	OBSOLETE	1,2,6,7,11,12	1,2,6,7,11,12	40.13	37.34	38.10	11	24	△6-534257-7			
△10	OBSOLETE	1,2,12,13,24,25	1,2,12,13,24,25	73.15	70.36	71.12	24	50	△6-534257-6			
△10	OBSOLETE	8, 13, 18	8, 13, 18	29.97	27.18	27.94	7	16	△6-534257-4			
△10	OBSOLETE	3, 4, 5	3, 4, 5	131.57	128.78	129.54	47	96	△6-534257-3			
△10	OBSOLETE	2, 24, 47	2, 24, 47	98.55	95.76	96.52	34	70	△6-534257-2			
△10	OBSOLETE	2, 18, 34	2, 18, 34	85.85	83.06	83.82	29	60	△6-534257-1			
△10	OBSOLETE	2, 15, 29	2, 15, 29	60.45	57.66	58.42	19	40	△6-534257-0			
△10	OBSOLETE	5, 10, 15	5, 10, 15	55.37	52.58	53.34	17	36	△5-534257-9			
△10	OBSOLETE	4, 9, 14	4, 9, 14	47.75	44.96	45.72	14	30	△5-534257-8			
△10	OBSOLETE	3, 8, 13	3, 8, 13	40.13	37.34	38.10	11	24	△5-534257-7			
△10	OBSOLETE	5, 6, 7	5, 6, 7	35.05	32.26	33.02	9	20	△5-534257-6			
△10	OBSOLETE	4, 5, 6	4, 5, 6	24.89	22.10	22.86	5	12	△5-534257-5			
△10	OBSOLETE	2, 27, 53, 79	2, 27, 53, 79	212.85	210.06	210.82	79	160	△5-534257-4			
△10	OBSOLETE	2, 20, 40, 59	2, 20, 40, 59	162.05	159.26	160.02	59	120	△5-534257-3			
△10	OBSOLETE	2, 17, 33, 49	2, 17, 33, 49	136.65	133.86	134.62	49	100	△5-534257-2			
△10	OBSOLETE	2, 20, 39	2, 20, 39	111.25	108.46	109.22	39	80	△5-534257-1			
△10	OBSOLETE	2,23,67,99	2,23,67,99	10.380	10.270	10.300	99	200	1-534257-9			
△10	OBSOLETE	1,2,5,6	1,2,5,6	9.801	9.701	9.900	5	12	1-534257-8			
△10	OBSOLETE	1,2,6,7,11,12	1,2,6,7,11,12	40.13	37.34	38.10	11	24	1-534257-7			
△10	OBSOLETE	1,2,12,13,24,25	1,2,12,13,24,25	73.15	70.36	71.12	24	50	1-534257-6			
△10	OBSOLETE	8, 13, 18	8, 13, 18	29.97	27.18	27.94	7	16	1-534257-5			
△10	OBSOLETE	3, 4, 5	3, 4, 5	131.57	128.78	129.54	47	96	1-534257-4			
△10	OBSOLETE	2, 24, 47	2, 24, 47	98.55	95.76	96.52	34	70	1-534257-3			
△10	OBSOLETE	2, 18, 34	2, 18, 34	85.85	83.06	83.82	29	60	1-534257-2			
△10	OBSOLETE	2, 15, 29	2, 15, 29	60.45	57.66	58.42	19	40	1-534257-1			
△10	OBSOLETE	5, 10, 15	5, 10, 15	55.37	52.58	53.34	17	36	1-534257-0			
△10	OBSOLETE	4, 9, 14	4, 9, 14	47.75	44.96	45.72	14	30	1-534257-9			
△10	OBSOLETE	3, 8, 13	3, 8, 13	40.13	37.34	38.10	11	24	1-534257-8			
△10	OBSOLETE	5, 6, 7	5, 6, 7	35.05	32.26	33.02	9	20	1-534257-7			
△10	OBSOLETE	4, 5, 6	4, 5, 6	24.89	22.10	22.86	5	12	1-534257-6			
△10	OBSOLETE	2, 27, 53, 79	2, 27, 53, 79	212.85	210.06	210.82	79	160	1-534257-5			
△10	OBSOLETE	2, 20, 40, 59	2, 20, 40, 59	162.05	159.26	160.02	59	120	1-534257-4			
△10	OBSOLETE	2, 17, 33, 49	2, 17, 33, 49	136.65	133.86	134.62	49	100	1-534257-3			
△10	OBSOLETE	2, 20, 39	2, 20, 39	111.25	108.46	109.22	39	80	1-534257-2			
△10	OBSOLETE	2, 20, 39	2, 20, 39	4.380	4.270	4.300	39	80	1-534257-1			

THIS DRAWING IS A CONTROLLED DOCUMENT. DWN: K.L.CLOUSER/UTA 4/8/91. CHK: D SARVER 6/5/92. Tyco Electronics Corporation Harrisburg, PA 17105-3608

DIMENSIONS: INCHES	TOLERANCES UNLESS OTHERWISE SPECIFIED:	PRODUCT SPEC	APPLICATION SPEC
0 PLC ± -	± -	± -	± -
1 PLC ± -	± -	± -	± -
2 PLC ± -	± 0.13 [0.005]	± -	± -
3 PLC ± -	± -	± -	± -
4 PLC ± -	± -	± -	± -
ANGLES	± -	± -	± -

MATERIAL: SEE TABLE. WEIGHT: -. SIZE: A1. CASE CODE: 00779. DRAWING NO: 534257. CUSTOMER DRAWING. SCALE: 4:1. SHEET: 1 of 1. REV: N3.

## X-ON Electronics

Largest Supplier of Electrical and Electronic Components

*Click to view similar products for [Headers & Wire Housings](#) category:*

*Click to view products by [TE Connectivity](#) manufacturer:*

Other Similar products are found below :

[892-18-020-10-001101](#) [58102-G61-06LF](#) [582553-1](#) [0009485154](#) [009176003701906](#) [0050291907](#) [LY20-4P-DT1-P1E-BR](#) [02.125.8002.8](#)  
[609-3404](#) [61062-3](#) [61082-181009](#) [622-3653LF](#) [63453-116](#) [636-1030](#) [636-1427](#) [636-3427](#) [636-4007](#) [641938-9](#) [641991-4](#) [644827-2](#) [65817-](#)  
[010LF](#) [65817-015LF](#) [65863-015LF](#) [66207-023LF](#) [67095-007LF](#) [67601157](#) [68645-018](#) [68648-049](#) [70.362.1628.0](#) [70-4210](#) [70-4226B](#) [70-](#)  
[4853B](#) [707-5020](#) [707-5028](#) [71.350.2428.0](#) [71918-208LF](#) [71961-016LF](#) [733-134](#) [733-162](#) [754199-000](#) [760-3052](#) [787-8014-00](#) [79531-3000](#)  
[FCN-360C032-B](#) [FCN-367T-T012/H](#) [FCN-723D010/2](#) [80.063.4001.1](#) [800-90-001-10-001000](#) [800-90-010-10-002000](#) [801-43-002-10-013000](#)