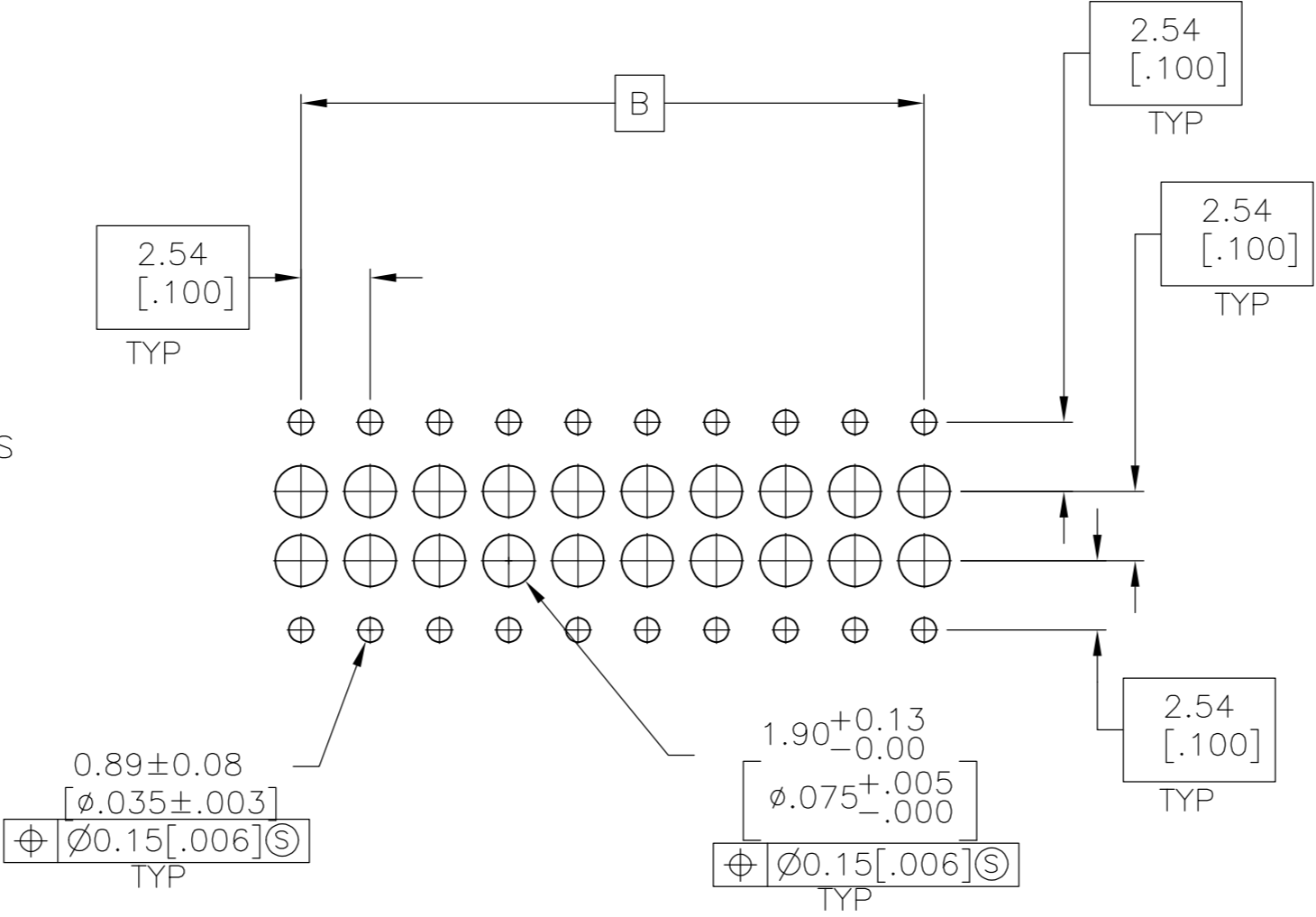
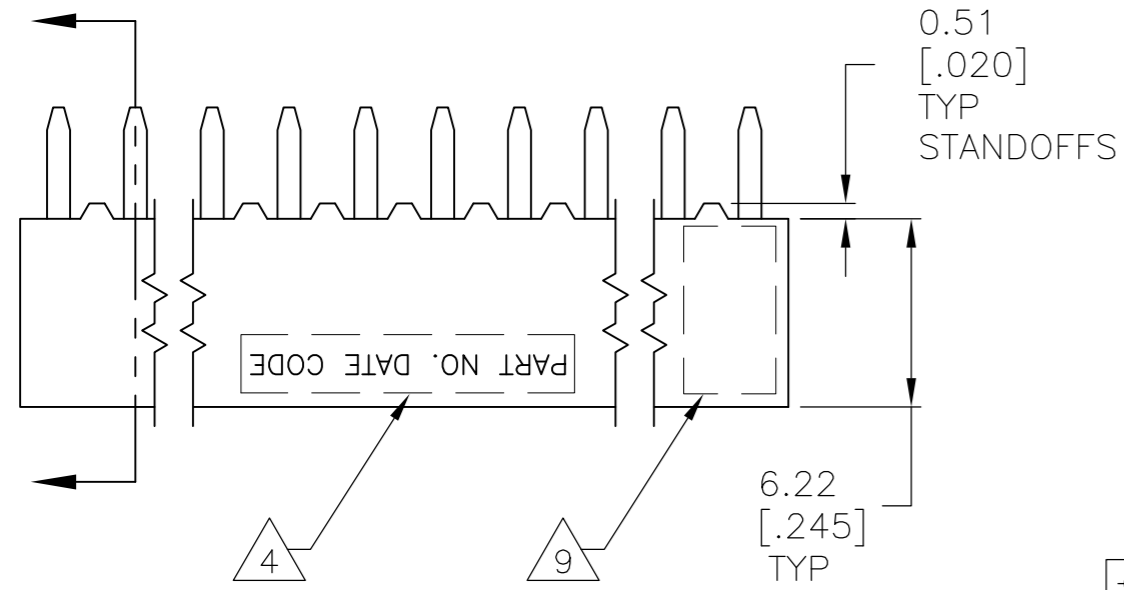


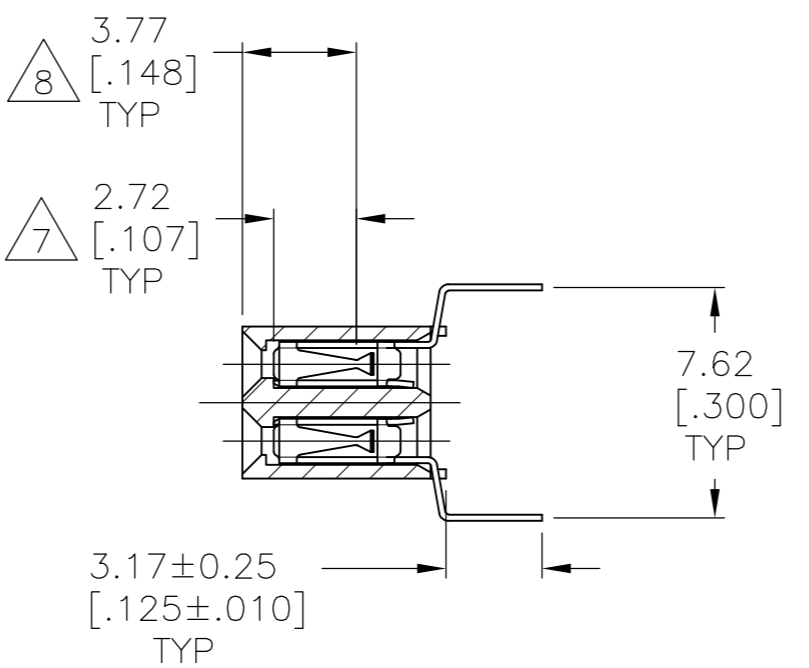
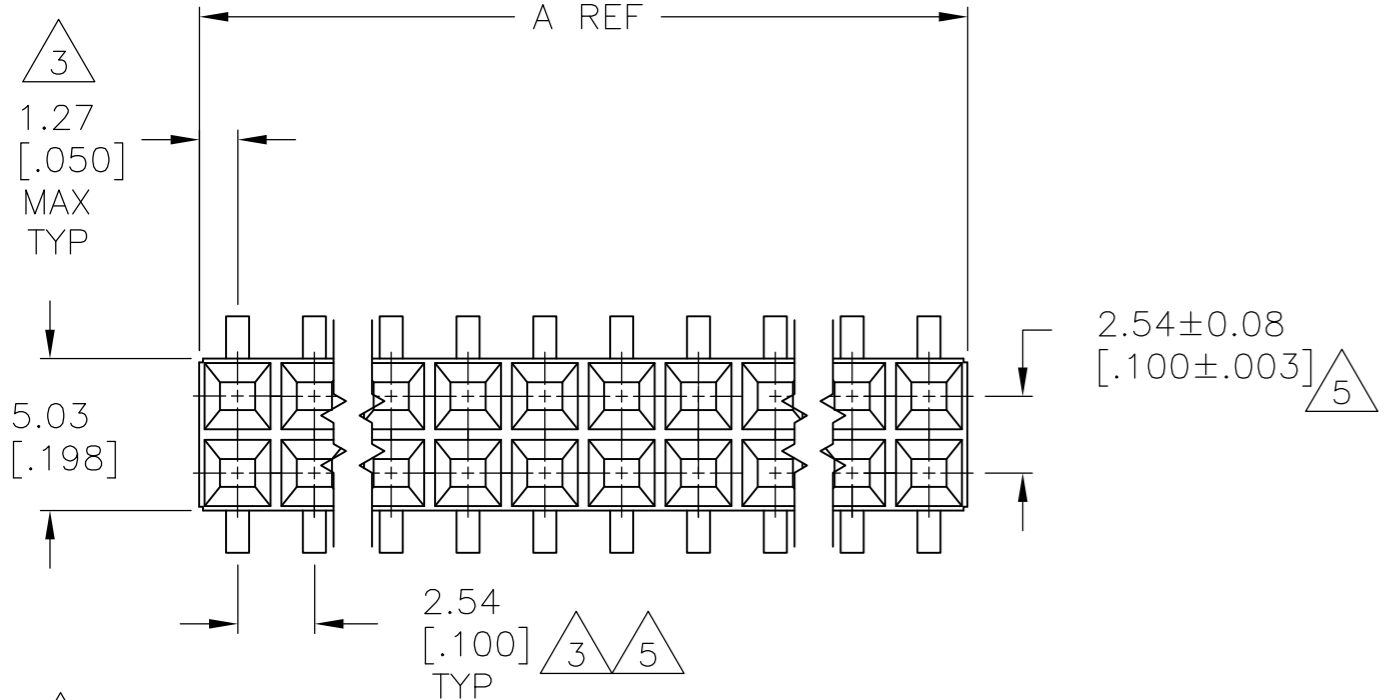
THIS DRAWING IS UNPUBLISHED. RELEASED FOR PUBLICATION  
 © COPYRIGHT - By - ALL RIGHTS RESERVED.

LOC		DIST		REVISIONS				
P	LTR	DESCRIPTION			DATE	DWN	APVD	
AD	00	AB5	REVISED PER ECO-13-005565	02APR13	KH	JO		



12 ROHS 2002/95/EC COMPLIANT

RECOMMENDED PC BOARD HOLE PATTERN  
 PC BOARD THICKNESS 1.57[.062]



2	96.52[3.800]	99.06[3.900]	78	4-534267-0
2	91.44[3.600]	93.98[3.700]	74	3-534267-9
2	88.90[3.500]	91.44[3.600]	72	3-534267-8
2	86.36[3.400]	88.90[3.500]	70	3-534267-7
2	83.82[3.300]	86.36[3.400]	68	3-534267-6
2	81.28[3.200]	83.82[3.300]	66	3-534267-5
2	78.74[3.100]	81.28[3.200]	64	3-534267-4
2	76.20[3.000]	78.74[3.100]	62	3-534267-3
2	71.12[2.800]	73.66[2.900]	58	3-534267-2
2	68.58[2.700]	71.12[2.800]	56	3-534267-1
2	66.04[2.600]	68.58[2.700]	54	3-534267-0
2	63.50[2.500]	66.04[2.600]	52	2-534267-9
2	55.88[2.200]	58.42[2.300]	46	2-534267-8
2	53.34[2.100]	55.88[2.200]	44	2-534267-7
2	50.80[2.000]	53.34[2.100]	42	2-534267-6
2	45.72[1.800]	48.26[1.900]	38	2-534267-5
2	40.64[1.600]	43.18[1.700]	34	2-534267-4
2	38.10[1.500]	40.64[1.600]	32	2-534267-3
2	33.02[1.300]	35.56[1.400]	28	2-534267-2
2	25.40[1.000]	27.94[1.100]	22	2-534267-1
2	12.70[.500]	15.24[.600]	12	2-534267-0
2	17.78[.700]	20.32[.800]	16	1-534267-9
2	60.96[2.400]	63.50[2.500]	50	1-534267-8
2	2.54[.100]	5.08[.200]	4	1-534267-7
2	93.98[3.700]	96.52[3.800]	76	1-534267-6
2	43.18[1.700]	45.72[1.800]	36	1-534267-5
2	5.08[.200]	7.62[.300]	6	1-534267-4
10	OBSELETE	2.54[.100]	2	61 534267 3
2	35.56[1.400]	38.10[1.500]	30	1-534267-2
2	58.42[2.300]	60.96[2.400]	48	1-534267-1
2	20.32[.800]	22.86[.900]	18	1-534267-0
2	27.94[1.100]	30.48[1.200]	24	534267-9
2	73.66[2.900]	76.20[3.000]	60	534267-8
2	48.26[1.900]	50.80[2.000]	40	534267-7
2	30.48[1.200]	33.02[1.300]	26	534267-6
10	7.62[.300]	10.16[.400]	8	534267-5
2	99.06[3.900]	101.60[4.000]	80	534267-4
10	10.16[.400]	12.70[.500]	10	534267-3
2	22.86[.900]	25.40[1.000]	20	534267-2
2	15.24[.600]	17.78[.700]	14	534267-1

- 1 HOUSING: FLAME RETARDANT, GLASS FILLED, POLYESTER, COLOR: BLACK. CONTACT: PHOSPHOR BRONZE
- 2 CONTACT: DUPLEX PLATED 0.76µm[.000030] GOLD IN CONTACT AREA, 3.81-7.62µm[.000150-.000300] BRIGHT TIN-LEAD ON LEADS, ALL OVER 1.27µm[.000050] MINIMUM NICKEL
- 3 THESE DIMENSIONS PERTAIN TO CAVITY CENTERLINES ONLY - NOT TO CONTACT LOCATIONS
- 4 PART NUMBER AND DATE CODE ARE MARKED IN APPROXIMATE LOCATION SHOWN,EITHER SIDE.
- 5 TOLERANCE IS NON-CUMULATIVE.
- 6 2 POSITION DATE CODE IS MARKED OPPOSITE SIDE OF TE CONNECTIVITY LOGO.
- 7 POINT-OF-MEASUREMENT DIMENSION FOR PLATING THICKNESS (INSIDE CONTACT BEAM).
- 8 POINT-OF-CONTACT DIMENSION.
- 9 TE CONNECTIVITY TRADEMARK AND CSA LOGO ARE MOLDED INTO HOUSING, THIS LOCATION.
- 10 NO PART NUMBER MARKING REQUIRED FOR THIS PART.
- 11 CONTACT:DUPLEX PLATED 0.76 MICROMETERS(.000030) MIN GOLD IN CONTACT AREA,3.81-7.62 MICROMETERS(.000150-.000300) MATTE TIN ON LEADS, ALL OVER 1.27 MICROMETERS (.000050) MINIMUM NICKEL.

THIS DRAWING IS A CONTROLLED DOCUMENT.

DIMENSIONS: mm [INCHES]	TOLERANCES UNLESS OTHERWISE SPECIFIED: 0 PLC ± - 1 PLC ± - 2 PLC ± 0.13[.005] 3 PLC ± - 4 PLC ± - ANGLES ± -	DWN M.BINNER 06NOV2002 CHK J.OLSON 06NOV02 APVD J.OLSON 06NOV02 PRODUCT SPEC 108-25022 APPLICATION SPEC 114-25018 WEIGHT -	NAME RECEPTACLE ASSEMBLY, MOD IV, DOUBLE ROW, DUAL ENTRY, .100X.100CL, VERTICAL MOUNT, AMPMODU
MATERIAL 1	FINISH 11 2	SIZE A2 CAGE CODE 00779 DRAWING NO C=534267 SCALE 4:1 SHEET 1 OF 2	RESTRICTED TO -

CUSTOMER DRAWING

THIS DRAWING IS UNPUBLISHED. RELEASED FOR PUBLICATION  
 © COPYRIGHT - By - ALL RIGHTS RESERVED.

LOC	DIST	REVISIONS			
P	LTR	DESCRIPTION	DATE	DWN	APVD
-	-	SEE SHEET 1	-	-	-

$\triangle_{11}$	96.52[3.800]	99.06[3.900]	78	$\triangle_{12}$	9-534267-0
$\triangle_{11}$	91.44[3.600]	93.98[3.700]	74	$\triangle_{12}$	8-534267-9
$\triangle_{11}$	88.90[3.500]	91.44[3.600]	72	$\triangle_{12}$	8-534267-8
$\triangle_{11}$	86.36[3.400]	88.90[3.500]	70	$\triangle_{12}$	8-534267-7
$\triangle_{11}$	83.82[3.300]	86.36[3.400]	68	$\triangle_{12}$	8-534267-6
$\triangle_{11}$	81.28[3.200]	83.82[3.300]	66	$\triangle_{12}$	8-534267-5
$\triangle_{11}$	78.74[3.100]	81.28[3.200]	64	$\triangle_{12}$	8-534267-4
$\triangle_{11}$	76.20[3.000]	78.74[3.100]	62	$\triangle_{12}$	8-534267-3
$\triangle_{11}$	71.12[2.800]	73.66[2.900]	58	$\triangle_{12}$	8-534267-2
$\triangle_{11}$	68.58[2.700]	71.12[2.800]	56	$\triangle_{12}$	8-534267-1
$\triangle_{11}$	66.04[2.600]	68.58[2.700]	54	$\triangle_{12}$	8-534267-0
$\triangle_{11}$	63.50[2.500]	66.04[2.600]	52	$\triangle_{12}$	7-534267-9
$\triangle_{11}$	55.88[2.200]	58.42[2.300]	46	$\triangle_{12}$	7-534267-8
$\triangle_{11}$	53.34[2.100]	55.88[2.200]	44	$\triangle_{12}$	7-534267-7
$\triangle_{11}$	50.80[2.000]	53.34[2.100]	42	$\triangle_{12}$	7-534267-6
$\triangle_{11}$	45.72[1.800]	48.26[1.900]	38	$\triangle_{12}$	7-534267-5
$\triangle_{11}$	40.64[1.600]	43.18[1.700]	34	$\triangle_{12}$	7-534267-4
$\triangle_{11}$	38.10[1.500]	40.64[1.600]	32	$\triangle_{12}$	7-534267-3
$\triangle_{11}$	33.02[1.300]	35.56[1.400]	28	$\triangle_{12}$	7-534267-2
$\triangle_{11}$	25.40[1.000]	27.94[1.100]	22	$\triangle_{12}$	7-534267-1
$\triangle_{11}$	12.70[.500]	15.24[.600]	12	$\triangle_{12}$	7-534267-0
$\triangle_{11}$	17.78[.700]	20.32[.800]	16	$\triangle_{12}$	6-534267-9
$\triangle_{11}$	60.96[2.400]	63.50[2.500]	50	$\triangle_{12}$	6-534267-8
$\triangle_{10}$ $\triangle_{11}$	2.54[.100]	5.08[.200]	4	$\triangle_{12}$	6-534267-7
$\triangle_{11}$	93.98[3.700]	96.52[3.800]	76	$\triangle_{12}$	6-534267-6
$\triangle_{11}$	43.18[1.700]	45.72[1.800]	36	$\triangle_{12}$	6-534267-5
$\triangle_{10}$ $\triangle_{11}$	5.08[.200]	7.62[.300]	6	$\triangle_{12}$	6-534267-4
$\triangle_{10}$ OBSOLETE $\triangle_{11}$	-	2.54[.100]	2	$\triangle_{12}$ $\triangle_{16}$	6-534267-3
$\triangle_{11}$	35.56[1.400]	38.10[1.500]	30	$\triangle_{12}$	6-534267-2
$\triangle_{11}$	58.42[2.300]	60.96[2.400]	48	$\triangle_{12}$	6-534267-1
$\triangle_{11}$	20.32[.800]	22.86[.900]	18	$\triangle_{12}$	6-534267-0
$\triangle_{11}$	27.94[1.100]	30.48[1.200]	24	$\triangle_{12}$	5-534267-9
$\triangle_{11}$	73.66[2.900]	76.20[3.000]	60	$\triangle_{12}$	5-534267-8
$\triangle_{11}$	48.26[1.900]	50.80[2.000]	40	$\triangle_{12}$	5-534267-7
$\triangle_{11}$	30.48[1.200]	33.02[1.300]	26	$\triangle_{12}$	5-534267-6
$\triangle_{10}$ $\triangle_{11}$	7.62[.300]	10.16[.400]	8	$\triangle_{12}$	5-534267-5
$\triangle_{11}$	99.06[3.900]	101.60[4.000]	80	$\triangle_{12}$	5-534267-4
$\triangle_{10}$ $\triangle_{11}$	10.16[.400]	12.70[.500]	10	$\triangle_{12}$	5-534267-3
$\triangle_{11}$	22.86[.900]	25.40[1.000]	20	$\triangle_{12}$	5-534267-2
$\triangle_{11}$	15.24[.600]	17.78[.700]	14	$\triangle_{12}$	5-534267-1
FINISH	B	A	NO OF POSN	PART NUMBER	

THIS DRAWING IS A CONTROLLED DOCUMENT.		DWN M.BINNER 06NOV2002	<b>TE</b> TE Connectivity	
DIMENSIONS: mm [INCHES]		CHK J.OLSON 06NOV02		
TOLERANCES UNLESS OTHERWISE SPECIFIED: 0 PLC ± - 1 PLC ± - 2 PLC ± 0.13[.005] 3 PLC ± - 4 PLC ± - ANGLES ± -		APVD J.OLSON 06NOV02	NAME RECEPTACLE ASSEMBLY, MOD IV, DOUBLE ROW, DUAL ENTRY, .100X.100CL, VERTICAL MOUNT, AMPMODU	
MATERIAL $\triangle_1$		FINISH $\triangle_{11}$ $\triangle_2$	PRODUCT SPEC 108-25022	RESTRICTED TO -
		WEIGHT -	APPLICATION SPEC 114-25018	SIZE A2
		CUSTOMER DRAWING	SCALE 1:1	CAGE CODE 00779
			DRAWING NO C=534267	SHEET 2 OF 2
			SCALE 1:1	REV AB5

## X-ON Electronics

Largest Supplier of Electrical and Electronic Components

*Click to view similar products for [Headers & Wire Housings](#) category:*

*Click to view products by [TE Connectivity](#) manufacturer:*

Other Similar products are found below :

[892-18-020-10-001101](#) [58102-G61-06LF](#) [582553-1](#) [0009485154](#) [009176003701906](#) [0050291907](#) [LY20-4P-DT1-P1E-BR](#) [02.125.8002.8](#)  
[609-3404](#) [61062-3](#) [61082-181009](#) [622-3653LF](#) [63453-116](#) [636-1030](#) [636-1427](#) [636-3427](#) [636-4007](#) [641938-9](#) [641991-4](#) [644827-2](#) [65817-](#)  
[010LF](#) [65817-015LF](#) [65863-015LF](#) [66207-023LF](#) [67095-007LF](#) [67601157](#) [68645-018](#) [68648-049](#) [70.362.1628.0](#) [70-4210](#) [70-4226B](#) [70-](#)  
[4853B](#) [707-5020](#) [707-5028](#) [71.350.2428.0](#) [71918-208LF](#) [71961-016LF](#) [733-134](#) [733-162](#) [754199-000](#) [760-3052](#) [787-8014-00](#) [79531-3000](#)  
[FCN-360C032-B](#) [FCN-367T-T012/H](#) [FCN-723D010/2](#) [80.063.4001.1](#) [800-90-001-10-001000](#) [800-90-010-10-002000](#) [801-43-002-10-013000](#)