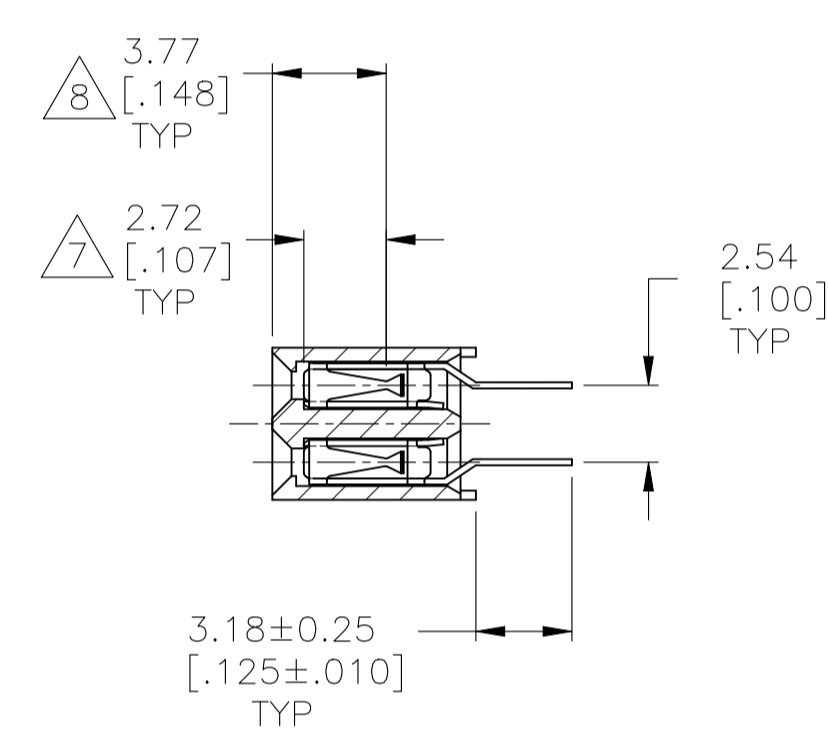
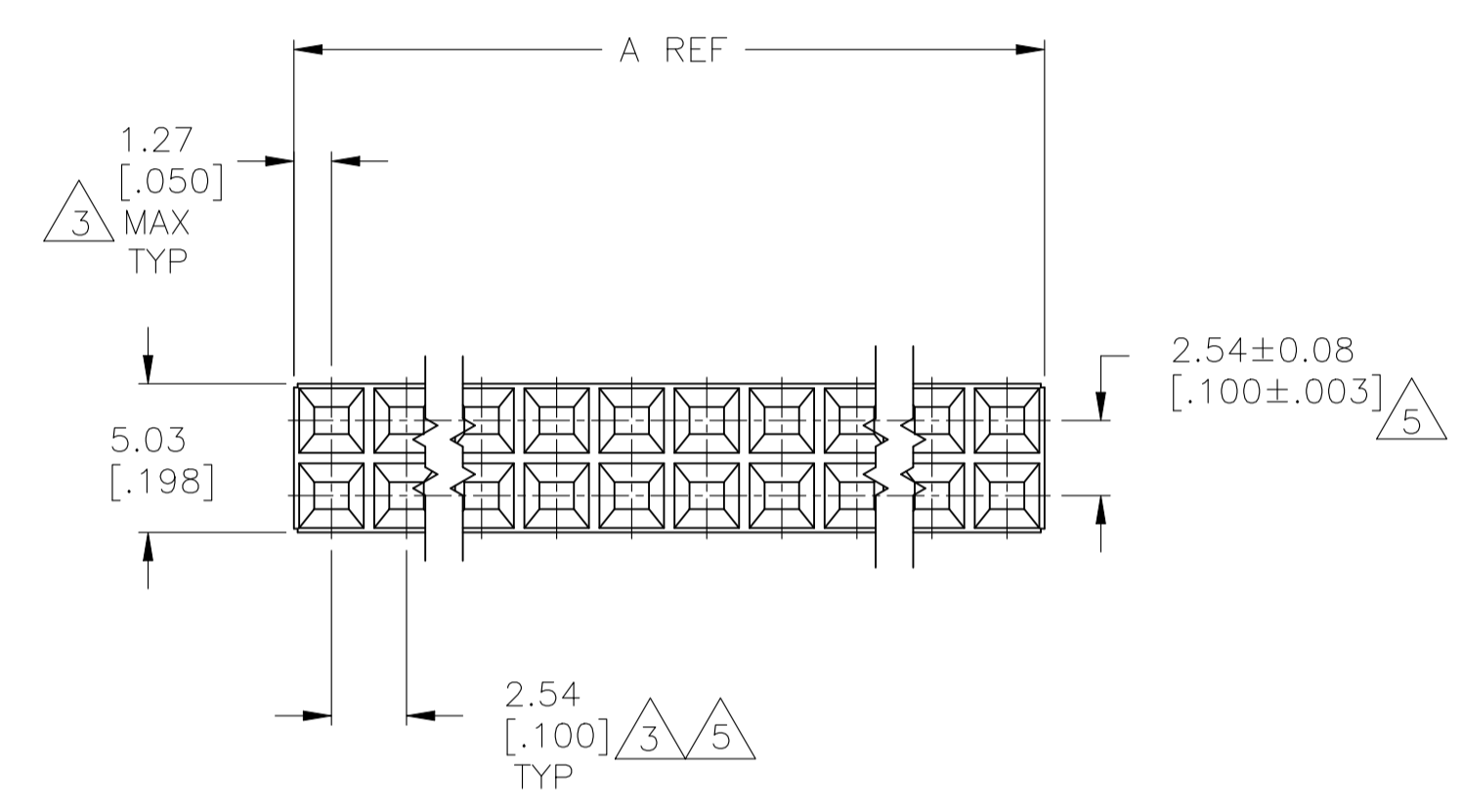
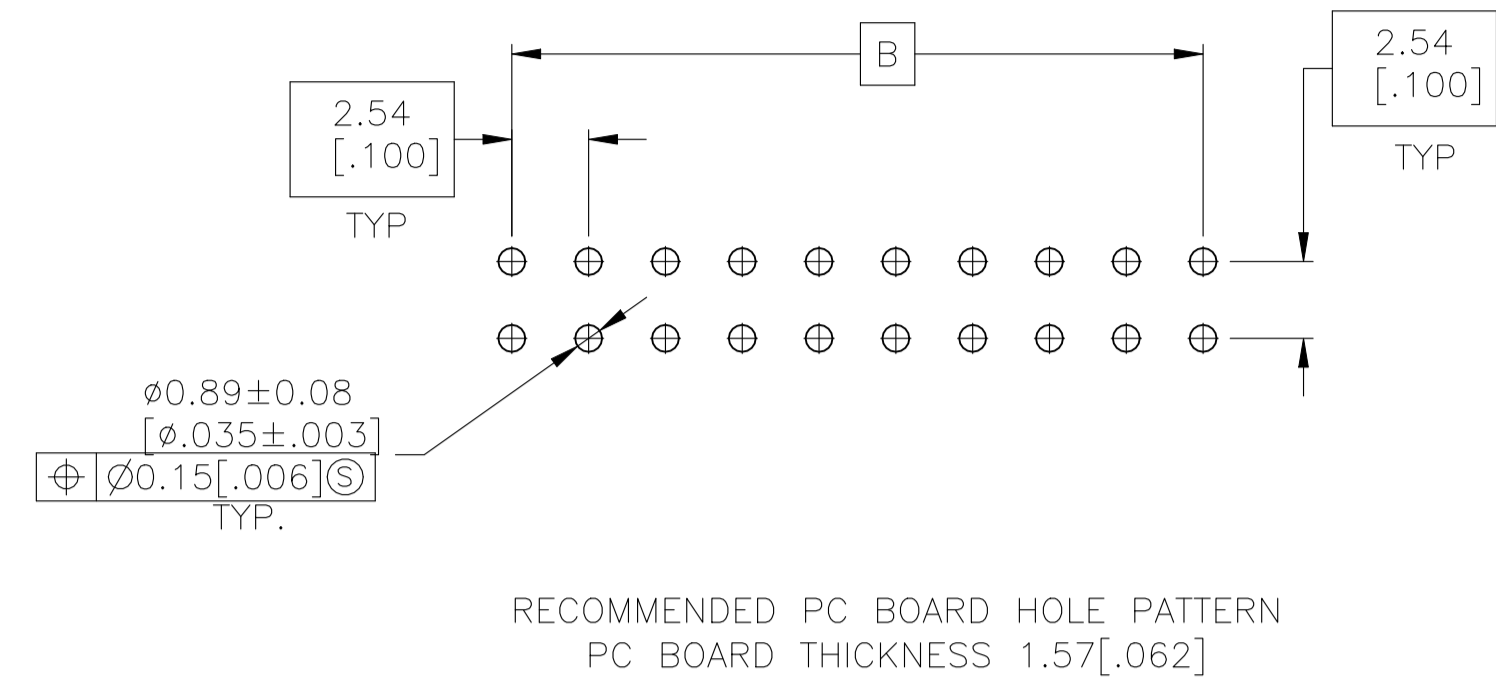
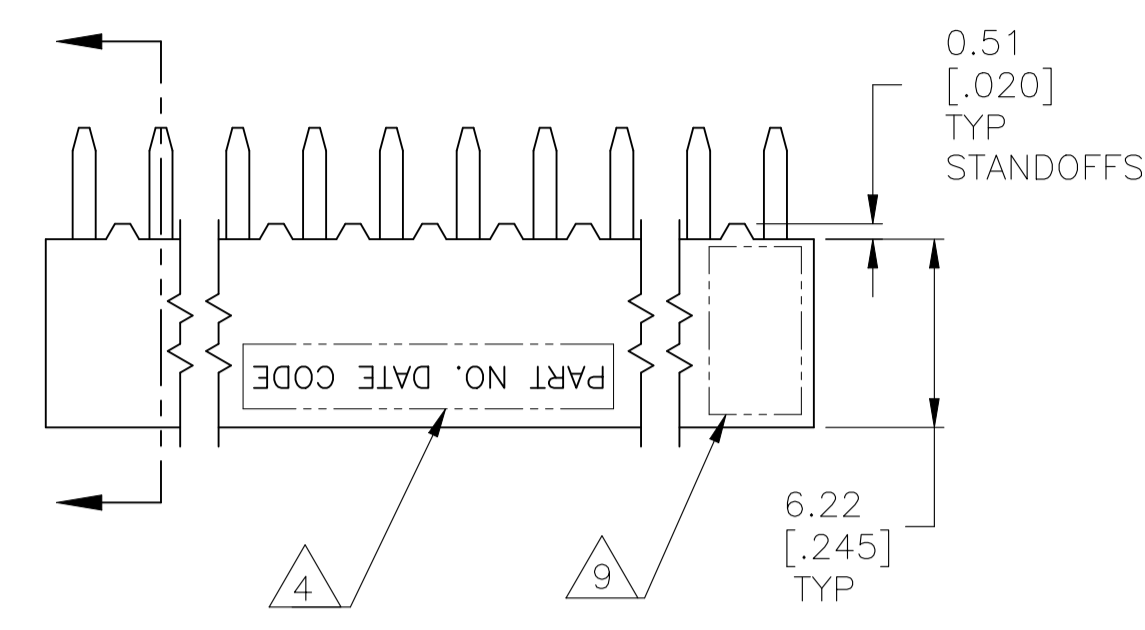


REVISIONS				
REV	DESCRIPTION	DATE	BY	APPD
R	HOUSING RESIN CHANGED	27OCT2021	SCB	KJK

SEE SHEET 2  
FOR P/N'S -51 THRU -90



REV	DESCRIPTION	DATE	BY	APPD	B	A	NO OF POSN	PART NUMBER
2					88.90 [3.500]	91.44 [3.600]	72	3-534998-6
2					86.36 [3.400]	88.90 [3.500]	70	3-534998-5
2	SUPERCEDED BY 8-534998-4				83.82 [3.300]	86.36 [3.400]	68	3-534998-4
2					81.28 [3.200]	83.82 [3.300]	66	3-534998-3
2					78.74 [3.100]	81.28 [3.200]	64	3-534998-2
2					76.20 [3.000]	78.74 [3.100]	62	3-534998-1
2					73.66 [2.900]	76.20 [3.000]	60	3-534998-0
2					71.12 [2.800]	73.66 [2.900]	58	2-534998-9
2					68.58 [2.700]	71.12 [2.800]	56	2-534998-8
2					66.04 [2.600]	68.58 [2.700]	54	2-534998-7
2	SUPERCEDED BY 7-534998-6				63.50 [2.500]	66.04 [2.600]	52	2-534998-6
2					60.96 [2.400]	63.50 [2.500]	50	2-534998-5
2					58.42 [2.300]	60.96 [2.400]	48	2-534998-4
2					55.88 [2.200]	58.42 [2.300]	46	2-534998-3
2					53.34 [2.100]	55.88 [2.200]	44	2-534998-2
2					50.80 [2.000]	53.34 [2.100]	42	2-534998-1
2					48.26 [1.900]	50.80 [2.000]	40	2-534998-0
2					45.72 [1.800]	48.26 [1.900]	38	1-534998-9
2					43.18 [1.700]	45.72 [1.800]	36	1-534998-8
2					40.64 [1.600]	43.18 [1.700]	34	1-534998-7
2					38.10 [1.500]	40.64 [1.600]	32	1-534998-6
2					35.56 [1.400]	38.10 [1.500]	30	1-534998-5
2					33.02 [1.300]	35.56 [1.400]	28	1-534998-4
2					30.48 [1.200]	33.02 [1.300]	26	1-534998-3
2					27.94 [1.100]	30.48 [1.200]	24	1-534998-2
2					25.40 [1.000]	27.94 [1.100]	22	1-534998-1
2					22.86 [0.900]	25.40 [1.000]	20	1-534998-0
2					20.32 [0.800]	22.86 [0.900]	18	534998-9
2					17.78 [0.700]	20.32 [0.800]	16	534998-8
2					15.24 [0.600]	17.78 [0.700]	14	534998-7
2					12.70 [0.500]	15.24 [0.600]	12	534998-6
2					10.16 [0.400]	12.70 [0.500]	10	534998-5
2					7.62 [0.300]	10.16 [0.400]	8	534998-4
2					5.08 [0.200]	7.62 [0.300]	6	534998-3
2					2.54 [0.100]	5.08 [0.200]	4	534998-2
2					-	2.54 [0.100]	2	534998-1

REV	DESCRIPTION	B	A	NO OF POSN	PART NUMBER
2	SUPERCEDED BY 9-534998-0	99.06 [3.900]	101.60 [4.000]	80	4-534998-0
2		96.52 [3.800]	99.06 [3.900]	78	3-534998-9
2		93.98 [3.700]	96.52 [3.800]	76	3-534998-8
2		91.44 [3.600]	93.98 [3.700]	74	3-534998-7

- 1 HOUSING: FLAME RETARDANT, GLASS FILLED, THERMOPLASTIC, COLOR: BLACK. CONTACT: PHOSPHOR BRONZE
- 2 CONTACT: DUPLEX PLATED 0.76µm[.000030] GOLD IN CONTACT AREA, 3.81-7.62µm[.000150-.000300] BRIGHT TIN-LEAD ON LEADS, ALL OVER 1.27µm[.000050] NICKEL
- 3 THESE DIMENSIONS PERTAIN TO CAVITY CENTERLINES ONLY - NOT TO CONTACT LOCATIONS
- 4 PART NUMBER AND DATE CODE ARE MARKED IN APPROXIMATE LOCATION SHOWN, EITHER SIDE.
- 5 TOLERANCE IS NON-CUMULATIVE.
- 6 2 POSITION DATE CODE IS MARKED OPPOSITE SIDE OF TE CONNECTIVITY LOGO.
- 7 POINT-OF-MEASUREMENT DIMENSION FOR PLATING THICKNESS (INSIDE CONTACT BEAM).
- 8 POINT-OF-CONTACT DIMENSION.
- 9 TE CONNECTIVITY TRADEMARK AND CSA LOGO ARE MOLDED INTO HOUSING, THIS LOCATION.
- 10 NO PART NUMBER MARKING REQUIRED FOR THIS PART.
- 11 CONTACT: DUPLEX PLATED 0.76µm[.000030] GOLD IN CONTACT AREA, 3.81-7.62µm[.000150-.000300] MATTE TIN ON LEADS, ALL OVER 1.27µm[.000050] NICKEL
- 12 ROHS 2002/95/EC COMPLIANT

THIS DRAWING IS A CONTROLLED DOCUMENT.

DIMENSIONS: mm [INCHES]	TOLERANCES UNLESS OTHERWISE SPECIFIED:	DIN M. BINNER 06NOV02	TE Connectivity Ltd.
0. PLC ± -	1. PLC ± -	CHK J. JOLSON 06NOV02	RECEPTACLE ASSEMBLY, MOD IV, DOUBLE ROW, DUAL ENTRY, .100X.100CL, VERTICAL MOUNT, AMPMODU
2. PLC ± ± 0.13[.005]	3. PLC ± -	APVD J. JOLSON 06NOV02	PRODUCT SPEC 108-25022
4. PLC ± -	ANGLES ± -	NAME	APPLICATION SPEC 114-25018
MATERIAL 1	FINISH 2	SIZE CAGE CODE DRAWING NO	RESTRICTED TO
		WEIGHT -	A1 00779 534998
		CUSTOMER DRAWING	SCALE 4:1 SHEET 1 OF 2 REV R

REVISIONS				
REV	DATE	DESCRIPTION	BY	APPV
-	-	SEE SHEET 1	-	-

REV	DATE	DESCRIPTION	BY	APPV
1	88.90	91.44	72	8-534998-6
2	[3.500]	[3.600]		
3	86.36	88.90	70	8-534998-5
4	[3.400]	[3.500]		
5	83.82	86.36	68	8-534998-4
6	[3.300]	[3.400]		
7	81.28	83.82	66	8-534998-3
8	[3.200]	[3.300]		
9	78.74	81.28	64	8-534998-2
10	[3.100]	[3.200]		
11	76.20	78.74	62	8-534998-1
12	[3.000]	[3.100]		
13	73.66	76.20	60	8-534998-0
14	[2.900]	[3.000]		
15	71.12	73.66	58	7-534998-9
16	[2.800]	[2.900]		
17	68.58	71.12	56	7-534998-8
18	[2.700]	[2.800]		
19	66.04	68.58	54	7-534998-7
20	[2.600]	[2.700]		
21	63.50	66.04	52	7-534998-6
22	[2.500]	[2.600]		
23	60.96	63.50	50	7-534998-5
24	[2.400]	[2.500]		
25	58.42	60.96	48	7-534998-4
26	[2.300]	[2.400]		
27	55.88	58.42	46	7-534998-3
28	[2.200]	[2.300]		
29	53.34	55.88	44	7-534998-2
30	[2.100]	[2.200]		
31	50.80	53.34	42	7-534998-1
32	[2.000]	[2.100]		
33	48.26	50.80	40	7-534998-0
34	[1.900]	[2.000]		
35	45.72	48.26	38	6-534998-9
36	[1.800]	[1.900]		
37	43.18	45.72	36	6-534998-8
38	[1.700]	[1.800]		
39	40.64	43.18	34	6-534998-7
40	[1.600]	[1.700]		
41	38.10	40.64	32	6-534998-6
42	[1.500]	[1.600]		
43	35.56	38.10	30	6-534998-5
44	[1.400]	[1.500]		
45	33.02	35.56	28	6-534998-4
46	[1.300]	[1.400]		
47	30.48	33.02	26	6-534998-3
48	[1.200]	[1.300]		
49	27.94	30.48	24	6-534998-2
50	[1.100]	[1.200]		
51	25.40	27.94	22	6-534998-1
52	[1.000]	[1.100]		
53	22.86	25.40	20	6-534998-0
54	[.900]	[1.000]		
55	20.32	22.86	18	5-534998-9
56	[.800]	[.900]		
57	17.78	20.32	16	5-534998-8
58	[.700]	[.800]		
59	15.24	17.78	14	5-534998-7
60	[.600]	[.700]		
61	12.70	15.24	12	5-534998-6
62	[.500]	[.600]		
63	10.16	12.70	10	5-534998-5
64	[.400]	[.500]		
65	7.62	10.16	8	5-534998-4
66	[.300]	[.400]		
67	5.08	7.62	6	5-534998-3
68	[.200]	[.300]		
69	2.54	5.08	4	5-534998-2
70	[.100]	[.200]		
71	-	2.54	2	5-534998-1
72		[.100]		

1	99.06	101.60	80	9-534998-0
2	[3.900]	[4.000]		
3	96.52	99.06	78	8-534998-9
4	[3.800]	[3.900]		
5	93.98	96.52	76	8-534998-8
6	[3.700]	[3.800]		
7	91.44	93.98	74	8-534998-7
8	[3.600]	[3.700]		
	B	A	NO OF POSN	PART NUMBER

THIS DRAWING IS A CONTROLLED DOCUMENT.

DIMENSIONS: mm [INCHES]	TOLERANCES UNLESS OTHERWISE SPECIFIED: 0. PLC ± - 1. PLC ± - 2. PLC ± 0.13[.005] 3. PLC ± - 4. PLC ± - ANGLES ± -	DIN M. BINNER 06NOV02 CHK J. JOLSON 06NOV02 APVD J. JOLSON 06NOV02	NAME RECEPTACLE ASSEMBLY, MOD IV, DOUBLE ROW, DUAL ENTRY, .100X.100CL, VERTICAL MOUNT, AMPMODU
MATERIAL	FINISH	SIZE CAGE CODE DRAWING NO A1 00779 534998	RESTRICTED TO
CUSTOMER DRAWING		SCALE 4:1	SHEET 2 OF 2 REV R

## X-ON Electronics

Largest Supplier of Electrical and Electronic Components

*Click to view similar products for [Headers & Wire Housings](#) category:*

*Click to view products by [TE Connectivity](#) manufacturer:*

Other Similar products are found below :

[892-18-020-10-001101](#) [58102-G61-06LF](#) [582553-1](#) [0009485154](#) [009176003701906](#) [0050291907](#) [LY20-4P-DT1-P1E-BR](#) [02.125.8002.8](#)  
[609-3404](#) [61062-3](#) [61082-181009](#) [622-3653LF](#) [63453-116](#) [636-1030](#) [636-1427](#) [636-3427](#) [636-4007](#) [641938-9](#) [641991-4](#) [644827-2](#) [65817-010LF](#) [65817-015LF](#) [65863-015LF](#) [66207-023LF](#) [67095-007LF](#) [67601157](#) [68645-018](#) [68648-049](#) [70.362.1628.0](#) [70-4210](#) [70-4226B](#) [70-4853B](#) [707-5020](#) [707-5028](#) [71.350.2428.0](#) [71918-208LF](#) [71961-016LF](#) [733-134](#) [733-162](#) [754199-000](#) [760-3052](#) [787-8014-00](#) [79531-3000](#)  
[FCN-360C032-B](#) [FCN-367T-T012/H](#) [FCN-723D010/2](#) [80.063.4001.1](#) [800-90-001-10-001000](#) [800-90-010-10-002000](#) [801-43-002-10-013000](#)