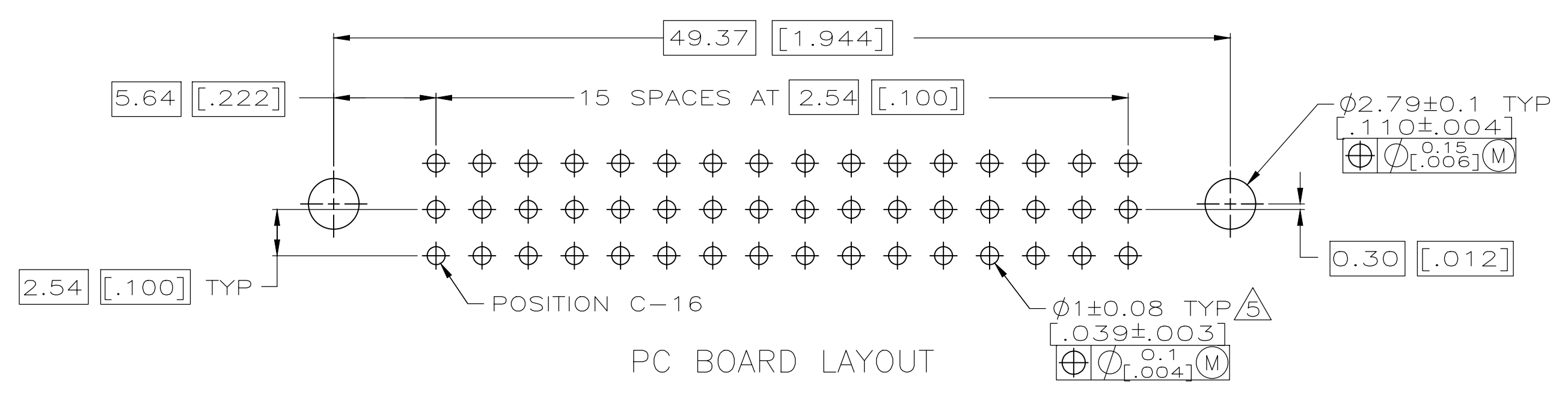
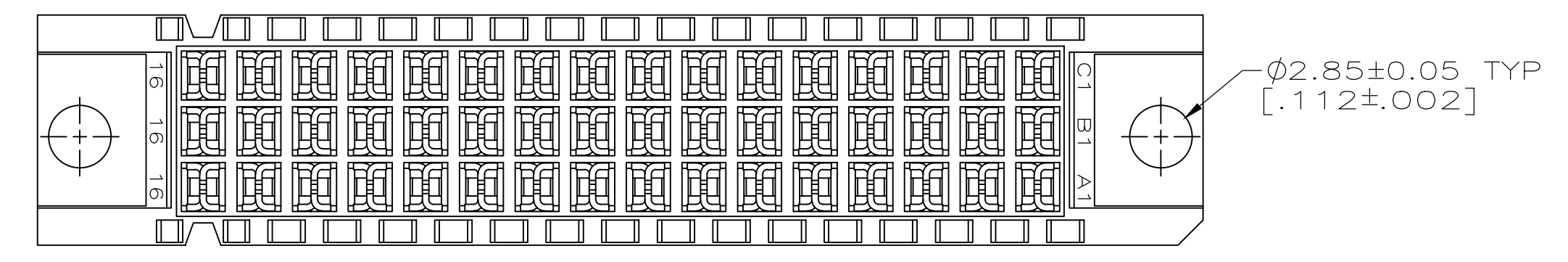
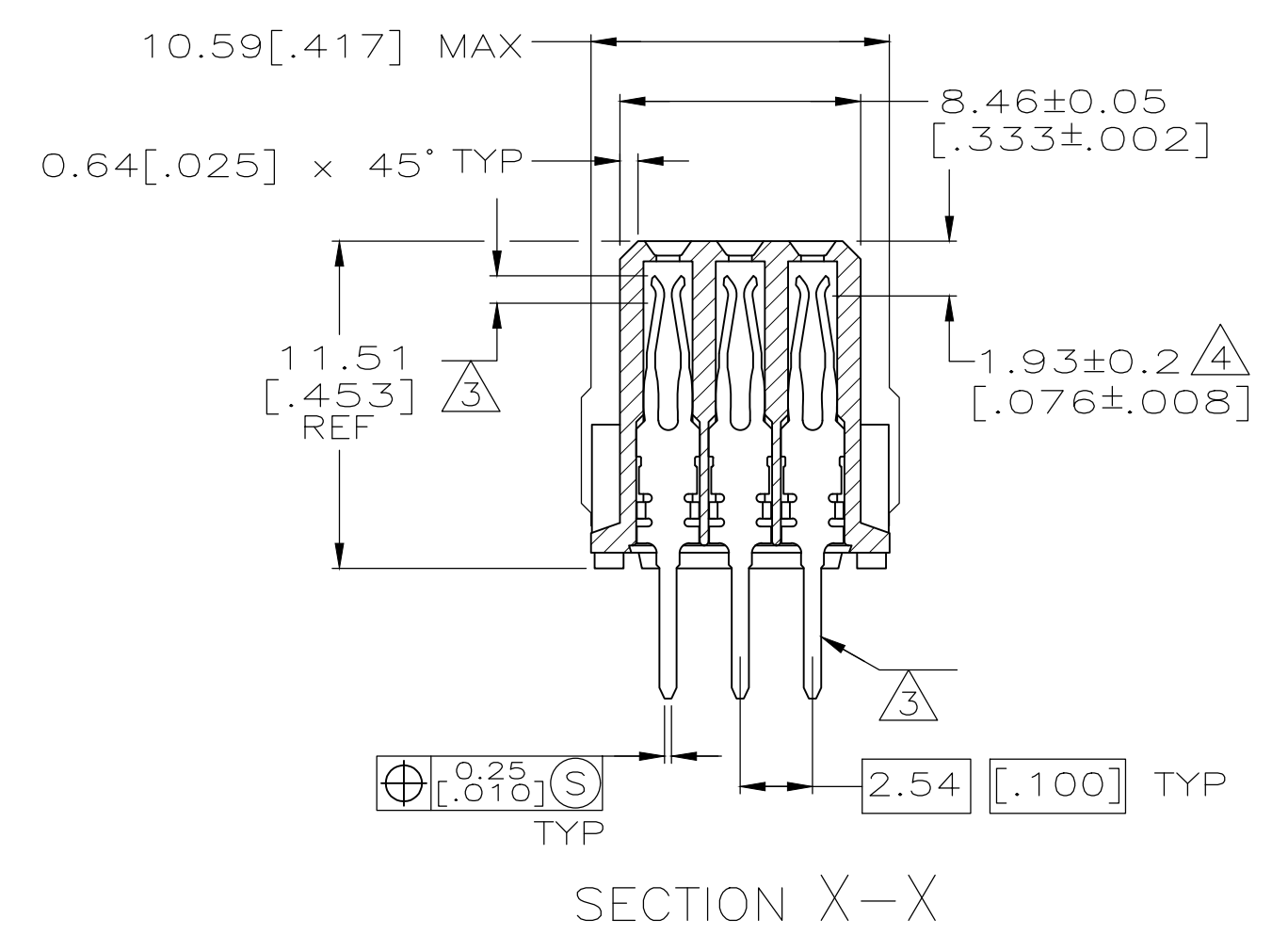
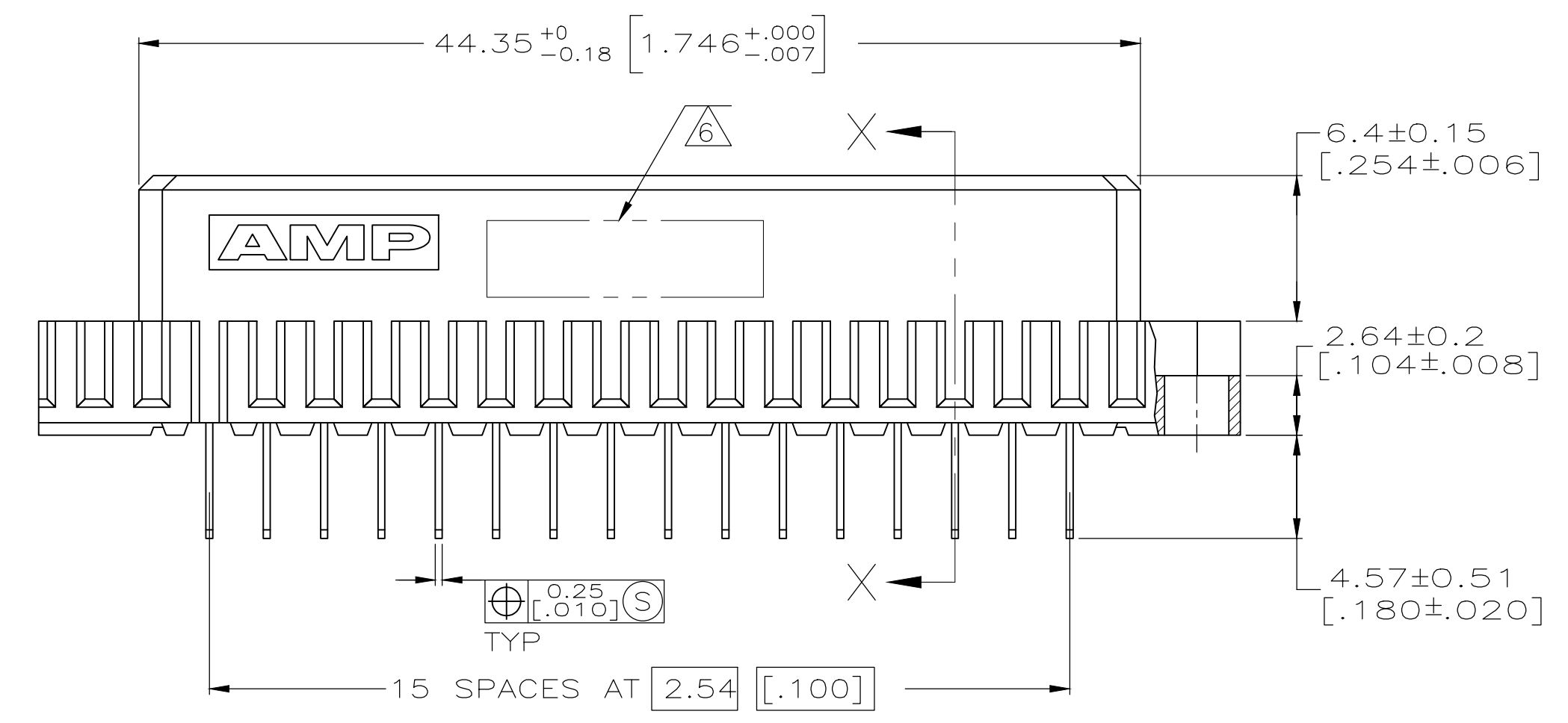
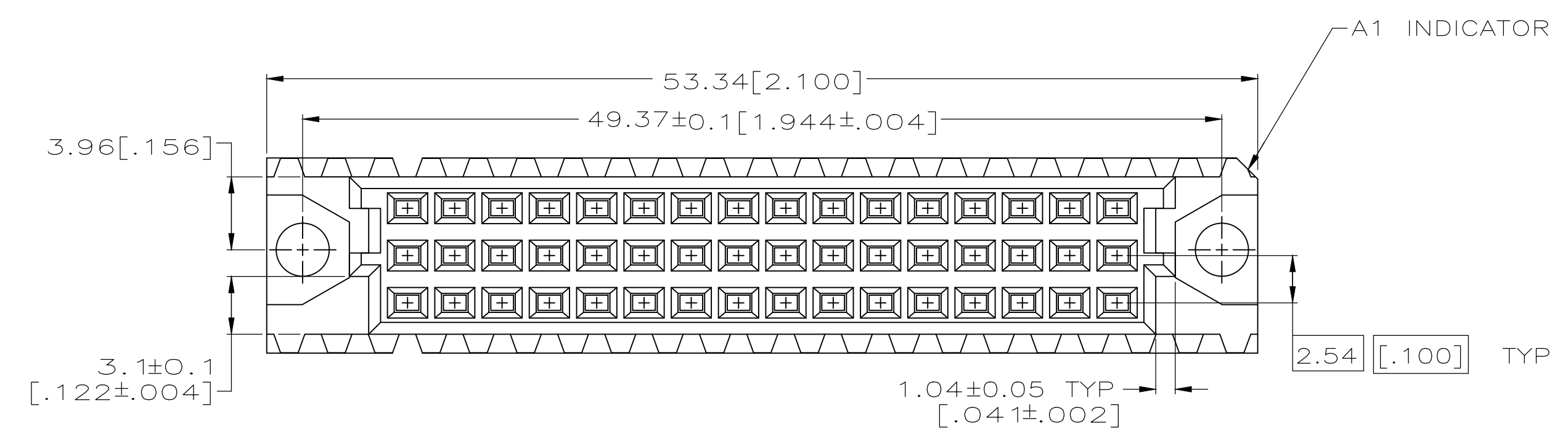


REVISIONS				
REV	DATE	DESCRIPTION	BY	CHK
A	16MAR2020	REVISED PER ECO-20-002189	SY	HL

- ① HOUSING MATERIAL: GLASS-FILLED POLYMER.
- ② CONTACT MATERIAL: COPPER ALLOY.
- ③ CONTACT FINISH: DIN 41612 CLASS 2 IN CONTACT AREA. TIN PLATE ON POSTS.
- ④ CONTACT POINT.
- ⑤ RECOMMENDED HOLE SIZE FOR MANUAL APPLICATION OF CONNECTOR ONTO PC BOARD.
- ⑥ PART NUMBER, DATE CODE IDENTIFICATION, CSA LOGO IN THIS APPROXIMATE AREA, ON REVERSE SIDE.



REV	DATE	DESCRIPTION	BY	CHK
1	27MAY05	1 THRU 16	X	X
2	27MAY05	1 THRU 16	X	X
3	27MAY05	1 THRU 16	X	X

NOTES	POSITIONS LOADED	ROWS LOADED	NO. OF LOADED POSITION	ASSY PART NUMBER
③	1 THRU 16	C	48	5535071-5
③	1 THRU 16	B	48	5535071-4

THIS DRAWING IS A CONTROLLED DOCUMENT.		DWN: J. POLIGNONE 27MAY05	TE Connectivity ASSEMBLY, RECEPTACLE, EUROCARD, TYPE 1/2C, 48 POSITION, 4.57[.180] SOLDER POSTS
DIMENSIONS: mm [INCHES]	TOLERANCES UNLESS OTHERWISE SPECIFIED:	CHK: A. SHARPE 27MAY05	
0 PLC ± -	1 PLC ± -	APVD: A. SHARPE 27MAY05	NAME: NAME
2 PLC ± -	3 PLC ± 0.13[.005]	PRODUCT SPEC: -	APPLICATION SPEC: -
4 PLC ± -	ANGLES ± -	SIZE: -	CAGE CODE: -
MATERIAL: -	FINISH: -	WEIGHT: 0.000000	DRAWING NO: A1 00779
CUSTOMER DRAWING		SCALE: 4:1	SHEET: 1 OF 1

## X-ON Electronics

Largest Supplier of Electrical and Electronic Components

*Click to view similar products for [DIN 41612 Connectors](#) category:*

*Click to view products by [TE Connectivity](#) manufacturer:*

Other Similar products are found below :

[004.767](#) [608489050008049](#) [691327-1](#) [74670-0732](#) [74680-0340](#) [75880-0015](#) [76453-0014](#) [86093159ALF](#) [9732967801](#) [QLC260R](#)  
[120X10019X](#) [120X10089X](#) [122A10249X](#) [122A11089X](#) [122A13089X](#) [122A10089X](#) [122A10129X](#) [122A10349X](#) [122A13359X](#) [1377391-4](#)  
[DIN-048CPC-SR1-MH](#) [1393583-2](#) [1393726-7](#) [140X10129X](#) [143-1913-000](#) [143-1908-000](#) [1484472-1](#) [2110070-1](#) [2110070-2](#) [CBC20T00-](#)  
[008FDS5-0-1-002VR](#) [172699-5036](#) [2-1393557-4](#) [2-1437084-2](#) [394506](#) [419-2080-402](#) [419-2085-302](#) [V42254B2202C968](#) [419-2086-201](#) [419-](#)  
[2087-002](#) [448657-1](#) [448847-3](#) [5-1393755-9](#) [02990000004](#) [033020](#) [043619](#) [054302](#) [043556](#) [0760557108](#) [09062483201750](#) [0850033067](#)