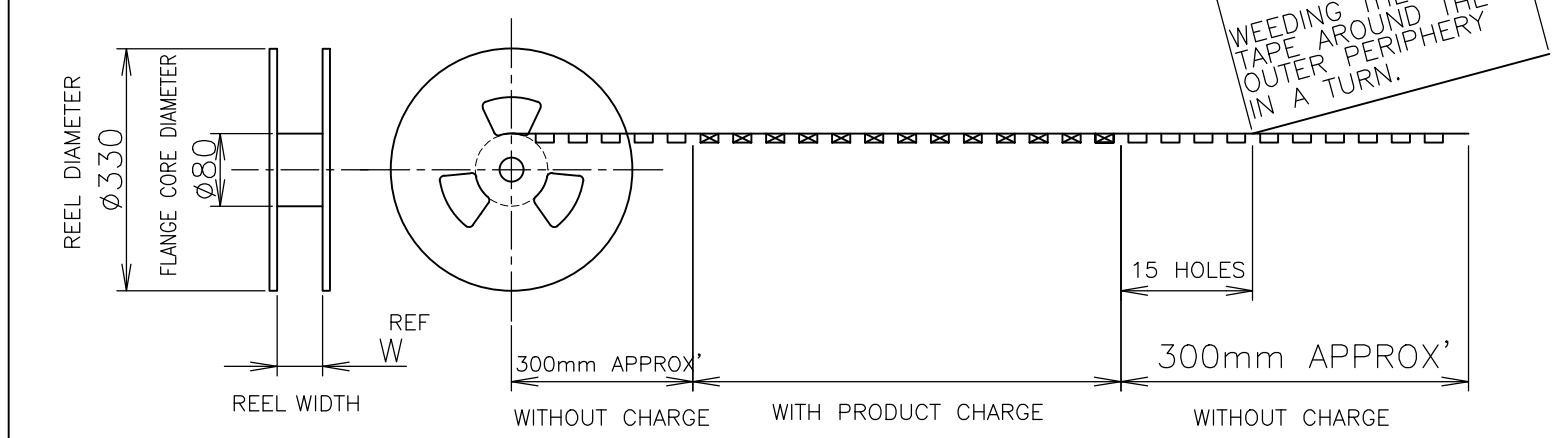
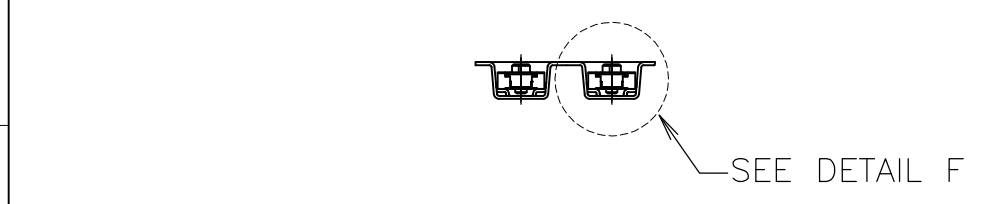
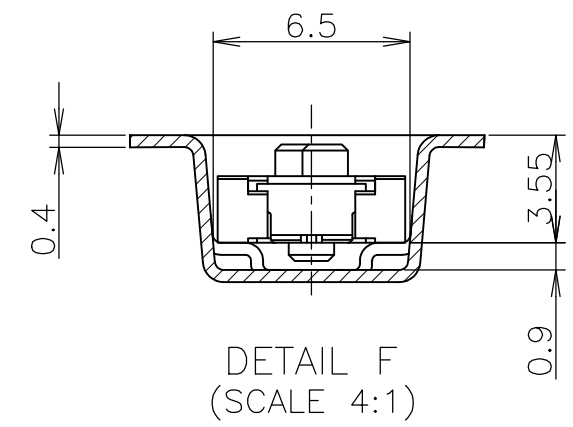
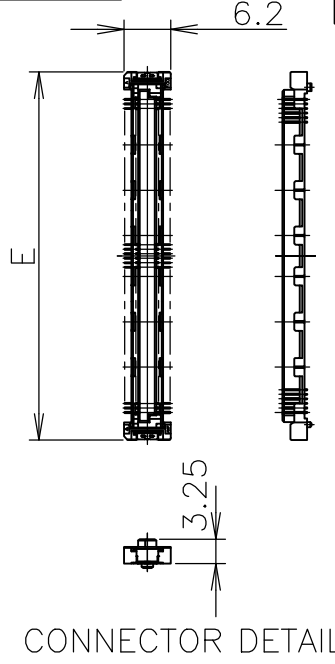
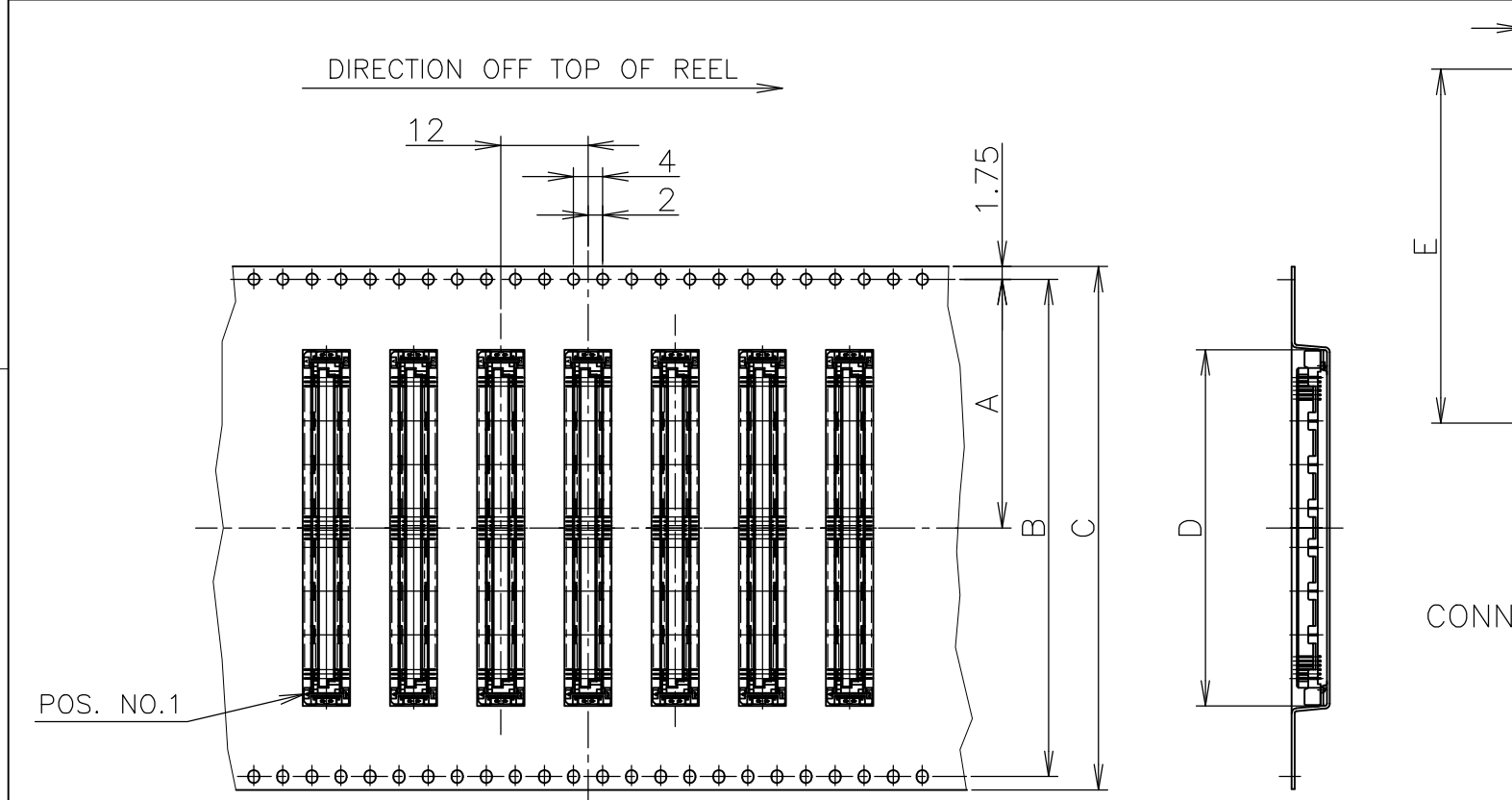


THIS DRAWING IS UNPUBLISHED. RELEASED FOR PUBLICATION DEC , 1996.
 © COPYRIGHT 1996 BY TYCO ELECTRONICS CORPORATION. ALL RIGHTS RESERVED.

LOC	DIST	REVISIONS					
J		P	LTR	DESCRIPTION	DATE	DWN	APVD
			E1	REVISED PER ECO-19-011375	19JUL2019	R.L	H.L



HOUSING COLOR	SEALANT	TOOLING STATUS	QTY.	W	E	D	C	B	A	POS.	PART NO.
BLACK	AVAILABLE		1000	77.5	48.7	49	72	68.4	34.2	140	8-5353189-0
	NOT AVAILABLE			77.5	54.7	55	72	68.4	34.2	160	6-5353189-1
				77.5	48.7	49	72	68.4	34.2	140	6-0
				61.5	42.7	43	56	52.4	26.2	120	5-9
				61.5	36.7	37	56	52.4	26.2	100	5-8
	NOT AVAILABLE			61.5	33.7	34	56	52.4	26.2	90	5-7
	- AVAILABLE			49.5	30.7	31	44	40.4	20.2	80	5-6
	NOT AVAILABLE			49.5	27.7	28	44	40.4	20.2	70	5-5
	NOT AVAILABLE			49.5	24.7	25	44	40.4	20.2	60	5-4
	- AVAILABLE			37.5	21.7	22	32	28.4	14.2	50	5-3
	NOT AVAILABLE			37.5	18.7	19	32	28.4	14.2	40	5-2
	AVAILABLE			29.5	15.7	16	24	11.5	11.5	30	5-5353189-1
NATURAL	NOT AVAILABLE		1000	77.5	54.7	55	72	68.4	34.2	160	1-5353189-1
				77.5	48.7	49	72	68.4	34.2	140	1-0
				61.5	42.7	43	56	52.4	26.2	120	-9
	NOT AVAILABLE			61.5	36.7	37	56	52.4	26.2	100	-8
	- AVAILABLE			61.5	33.7	34	56	52.4	26.2	90	-7
	NOT AVAILABLE			49.5	30.7	31	44	40.4	20.2	80	-6
				49.5	27.7	28	44	40.4	20.2	70	-5
				49.5	24.7	25	44	40.4	20.2	60	-4
				37.5	21.7	22	32	28.4	14.2	50	-3
				37.5	18.7	19	32	28.4	14.2	40	-2
	NOT AVAILABLE			29.5	15.7	16	24	11.5	11.5	30	5353189-1

3 THIS PRODUCT WAS COATED BY FLUX-PENETRATION -INHIBITING AGENT.

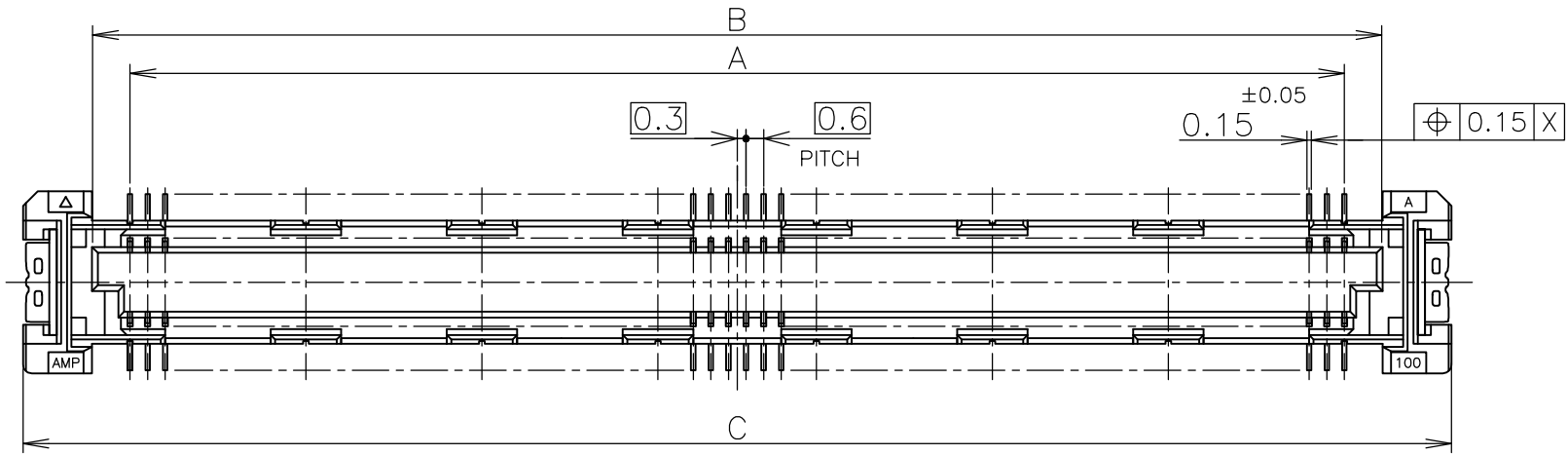
THIS DRAWING IS A CONTROLLED DOCUMENT.

DIMENSIONS: MM	TOLERANCES UNLESS OTHERWISE SPECIFIED:	DWN HAWKING HE 20DEC04	Tyco Electronics Corporation Kawasaki, Japan
		CHK STEVEN YAO 20DEC04	
		APVD I.ENOMOTO 20DEC04	NAME
		PRODUCT SPEC	EMBOSS ASSY FH 0.6BTB CONNECTOR REC 4H STD TYPE
		108-60047	SIZE CAGE CODE DRAWING NO RESTRICTED TO
		114-5255	A3 00779 C-5353189
MATERIAL	FINISH	WEIGHT	CUSTOMER DRAWING SCALE 1:1 SHEET 1 OF 2 REV E1

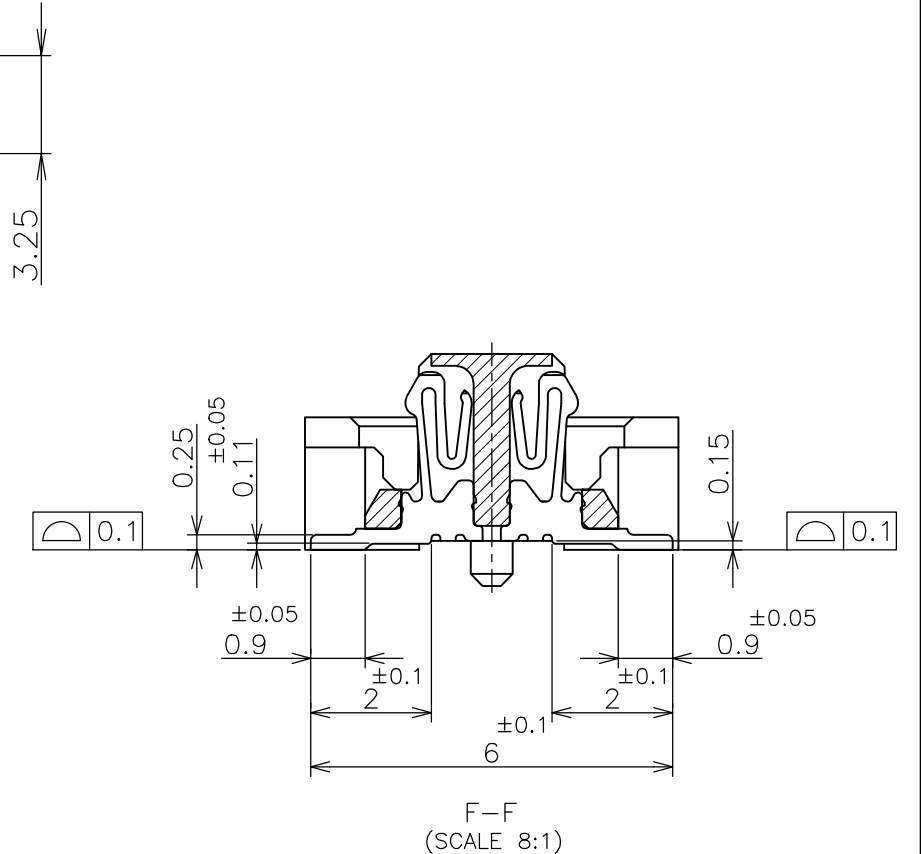
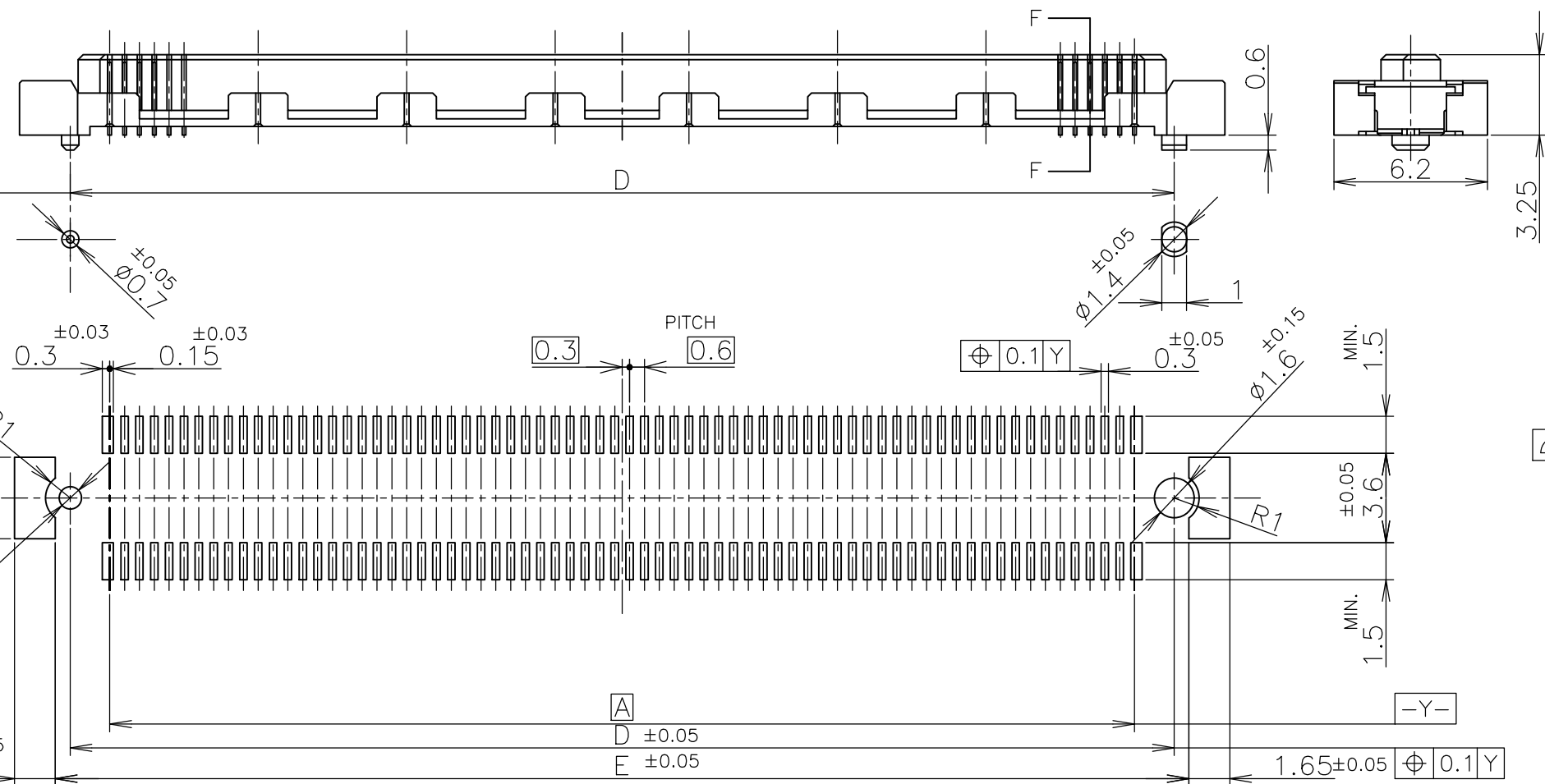
THIS DRAWING IS UNPUBLISHED. RELEASED FOR PUBLICATION . DEC 1996

© COPYRIGHT 1996 BY TYCO ELECTRONICS CORPORATION. ALL RIGHTS RESERVED.

LOC	DIST	REVISIONS					
J		P	LTR	DESCRIPTION	DATE	DWN	APVD
		-		SEE SHEET 1	-	-	-



△ MATERIAL : HOUSING : HIGH TEMP THERMO PLASTIC UL94V-0
 CONTACT : COPPER ALLOY
 △ FINISH : UNDER PL Ni 0.0013mm MIN ALL OVER.
 CONTACT AREA 0.0002 MIN Au PL.
 SOLDERING AREA 0.00005 MIN Au PL.



REFERENCE P.C. BOARD LAYOUT

AVAILABLE	51.8	50.6	54.7	50	47.4	160
AVAILABLE	45.8	44.6	48.7	44	41.4	140
NOT AVAILABLE	39.8	38.6	42.7	38	35.4	120
NOT AVAILABLE	33.8	32.6	36.7	32	29.4	100
AVAILABLE	30.8	29.6	33.7	29	26.4	90
AVAILABLE	27.8	26.6	30.7	26	23.4	80
AVAILABLE	24.8	23.6	27.7	23	20.4	70
NOT AVAILABLE	21.8	20.6	24.7	20	17.4	60
AVAILABLE	18.8	17.6	21.7	17	14.4	50
NOT AVAILABLE	15.8	14.6	18.7	14	11.4	40
NOT AVAILABLE	12.8	11.6	15.7	11	8.4	30
TOOLING STATUS	E	D	C	B	A	POS

THIS DRAWING IS A CONTROLLED DOCUMENT.		DWN	Tyco Electronics Corporation Kawasaki, Japan			
DIMENSIONS: MM		CHK	NAME			
TOLERANCES UNLESS OTHERWISE SPECIFIED:		APVD	EMBOSS ASSY FH 0.6BTB CONNECTOR REC 4H STD TYPE			
0 PLC ± 0.3 1 PLC ± 0.3 2 PLC ± 0.3 3 PLC ± 0.3 4 PLC ± 0.3 ANGLES ± 3°		PRODUCT SPEC	SIZE	CAGE CODE	DRAWING NO	RESTRICTED TO
MATERIAL		APPLICATION SPEC	A3	00779	C-5353189	
FINISH		WEIGHT	CUSTOMER DRAWING			
△ 1		SCALE 4:1		SHEET 2 OF 2		REV E1

X-ON Electronics

Largest Supplier of Electrical and Electronic Components

Click to view similar products for [Board to Board & Mezzanine Connectors](#) category:

Click to view products by [TE Connectivity](#) manufacturer:

Other Similar products are found below :

[10135583-642402LF](#) [89885-310LF](#) [589158040000018](#) [6-1393048-0](#) [68683-613](#) [MDF7-12DP-2.54DSA](#) [MDF7-18P-2.54DSA\(01\)](#) [MDF7-20DP-2.54DSA](#) [MDF7-26D-2.54DSA\(55\)](#) [MDF7-3P-2.54DSA\(01\)](#) [MDF7B-20P-2.54DSA\(01\)](#) [MDF7B-3P-2.54DSA\(55\)](#) [MDF7C-18P-2.54DSA\(55\)](#) [MDF7P-5P-2.54DSA\(55\)](#) [75234-0516](#) [FCN-230C068-11](#) [FCN-268F012-G/BD](#) [FCN-268F036-G/BD](#) [FCN-268M012-G/0D](#) [FCN-268M024-G/1D](#) [FCN-360C008-C](#) [FCN-723J004/1](#) [MIS-048-01-F-D-DP-K](#) [832-10-034-10-001000](#) [93696-325LF](#) [11828-1FA](#) [AXK630345P](#) [18097-0013](#) [2007042-2](#) [304400-2](#) [FCN-214Q030-G/0](#) [FCN-215Q040-G/0](#) [FCN-230C068-ESA](#) [FCN-234P048-G/0](#) [FCN-235D050-G/C](#) [FCN-360A3](#) [FCN-360C040-B](#) [210-93-314-41-105000](#) [2-22603-0](#) [379-064-521-202](#) [MDF7-12P-2.54DSA\(01\)](#) [MDF7-16P-2.54DS\(56\)](#) [MDF7-16P-2.54DSA\(55\)](#) [MDF7-40DP-2.54DSA\(55\)](#) [MDF7-8P-2.54DSA\(55\)](#) [AXG720047](#) [5031084030](#) [55323-1519](#) [DF33-2P-3.3DSA\(24\)](#) [DF33-2S-3.3C](#)