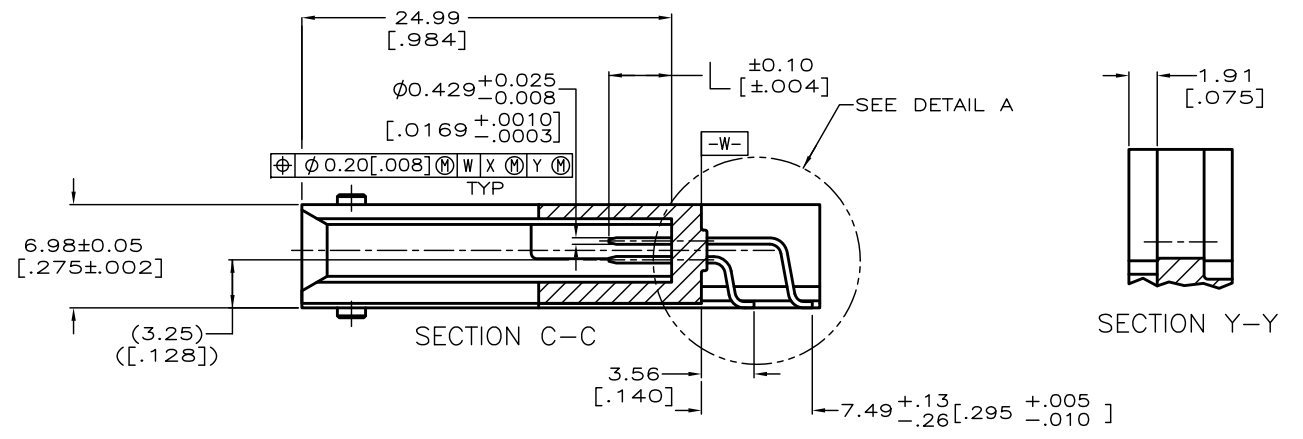
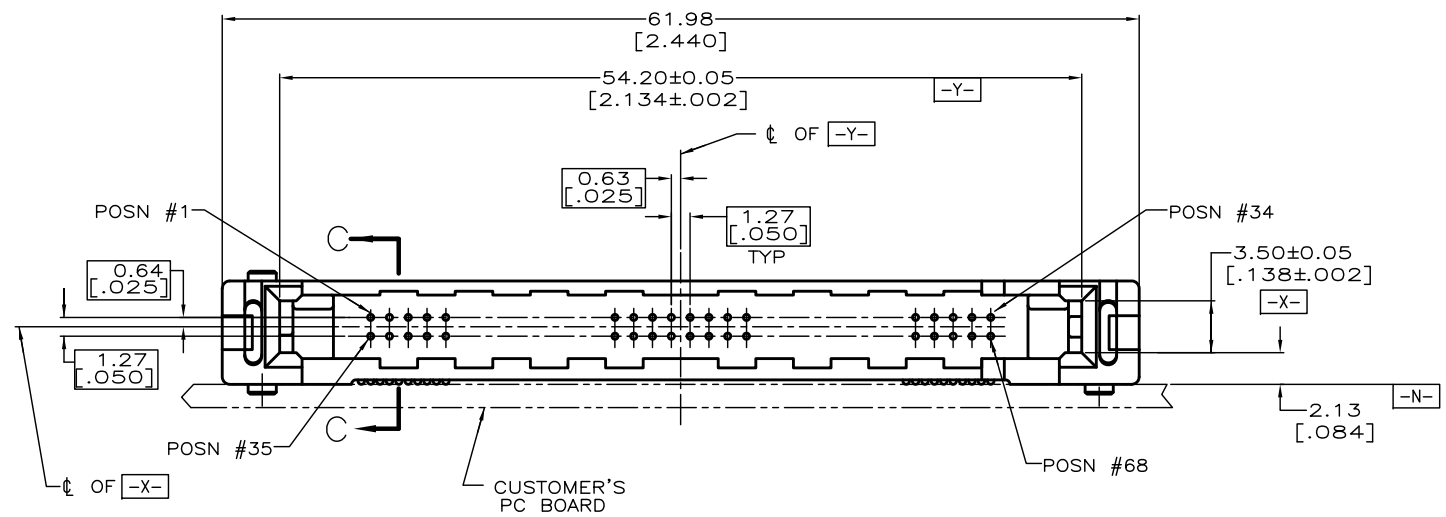
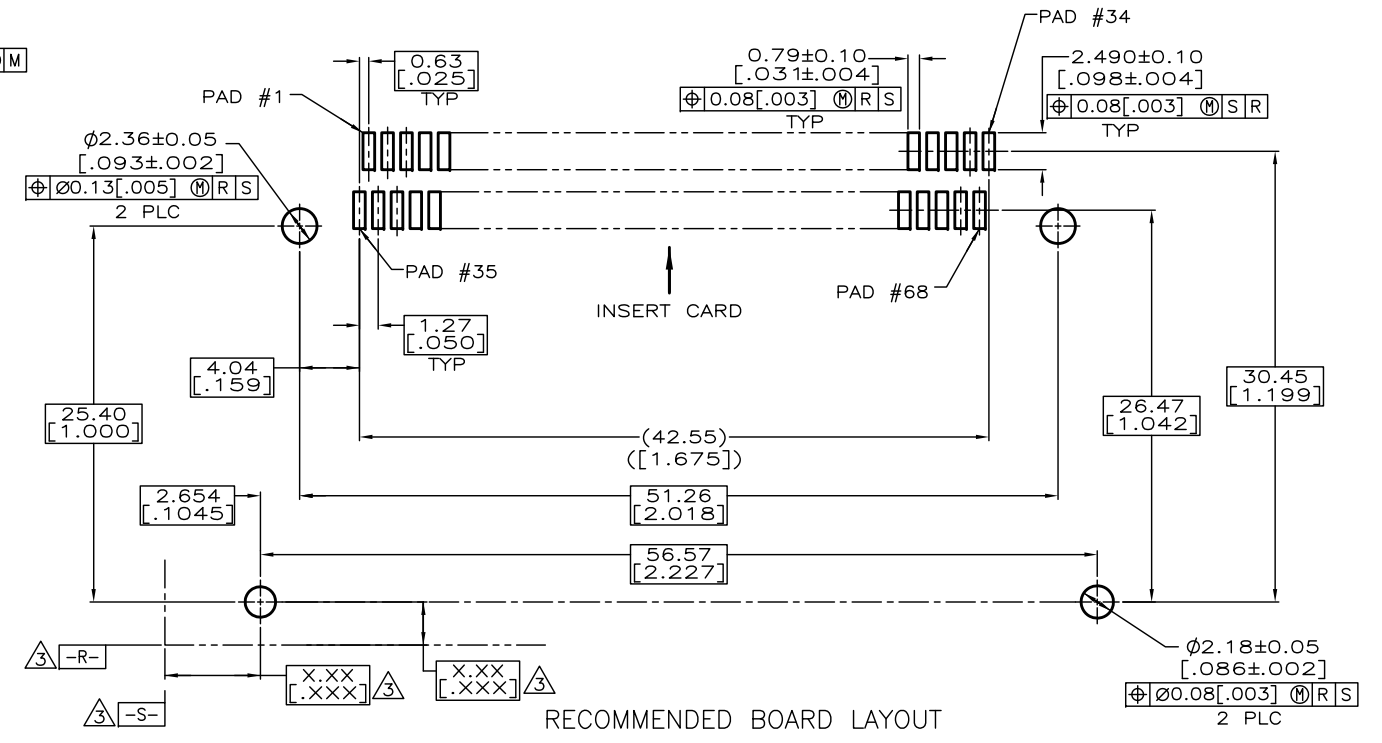
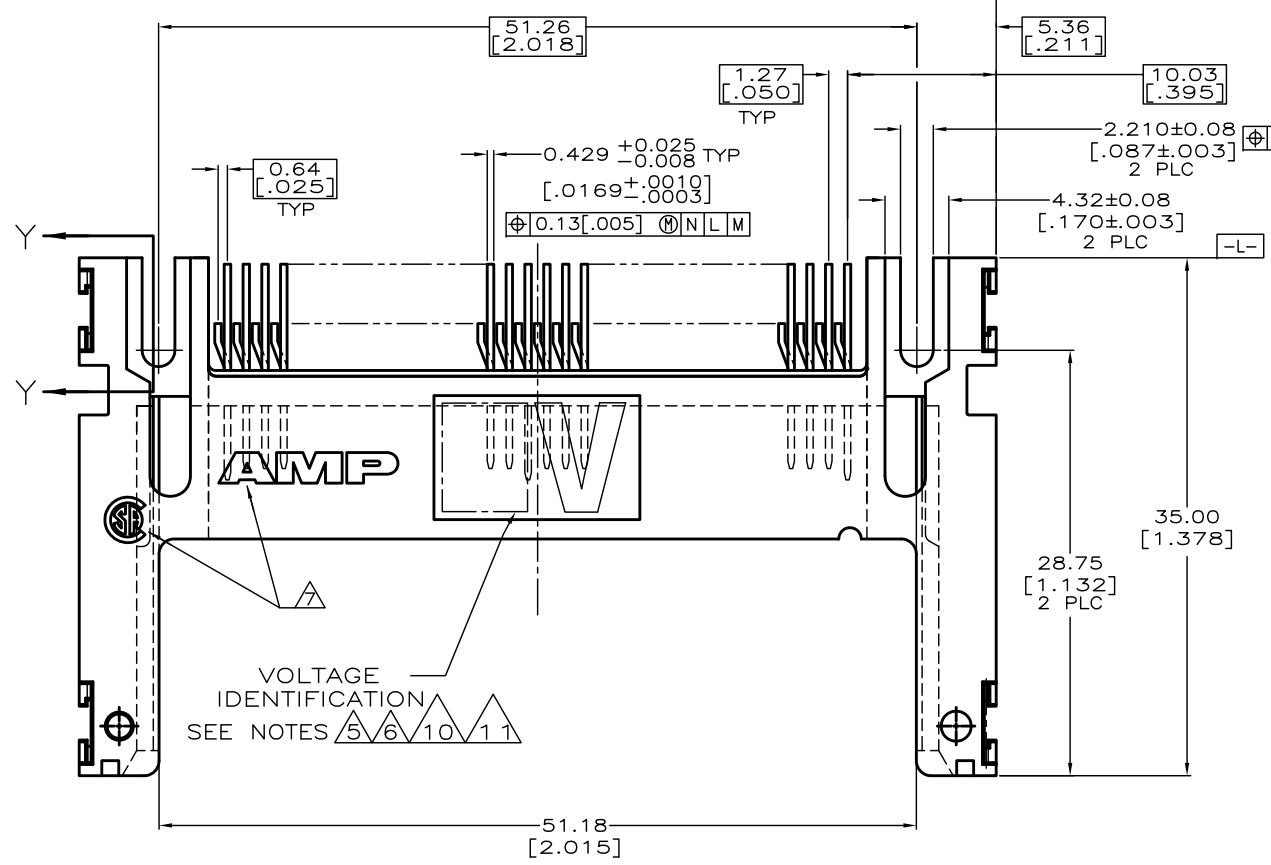
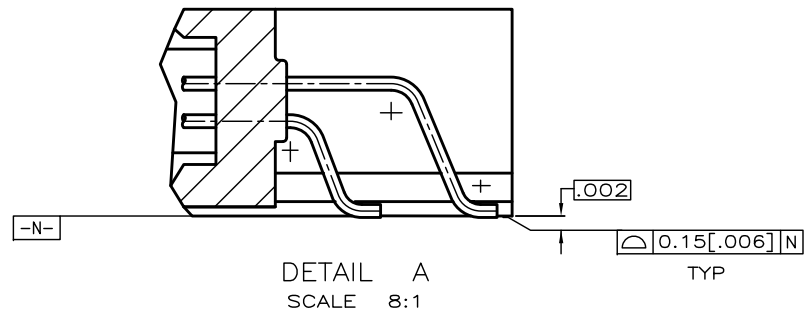


THIS DRAWING IS UNPUBLISHED. RELEASED FOR PUBLICATION
 BY TYCO ELECTRONICS CORPORATION. ALL RIGHTS RESERVED.

REV	DATE	BY	CHK	DESCRIPTION
A	26MAR'13	BW	HK	REVISED (ECR-12-018088)



- 1 PIN: 0.00076[.000030] MINIMUM GOLD IN CONTACT AREA, 0.00381[.000150] MIN TIN ON SOLDER TAILS, ALL OVER 0.00127[.000050] MINIMUM NICKEL
- 2. CUSTOMER TO PROVIDE CARD GUIDANCE SYSTEM
- 3 DATUMS AND BASIC DIMENSIONS ESTABLISHED BY CUSTOMER
- 4. CONNECTOR REQUIRES USE OF 2 - SIZE 2M SCREWS FOR FASTENING TO PRINTED CIRCUIT BOARD
- 5 ASSEMBLY KEYED FOR 5 VOLT CARDS
- 6 ASSEMBLY KEYED FOR LOW VOLT CARDS (3.3V)
- 7 RECESSED AMP AND CSA LOGOS LOCATED ON BOTH SIDES OF HOUSING.
- 8 PACKAGE IN TRAYS, 9 X 17 INCH APPROXIMATE SIZE.
- 9 PACKAGE IN TRAYS, 9 X 12 INCH APPROXIMATE SIZE.
- 10 NO VOLTAGE IDENTIFICATION ON 5535651-5 KEYED FOR 5V CARDS.
- 11 NO VOLTAGE IDENTIFICATION ON 5535651-6. KEYED FOR LV CARDS.
- 12 HOUSING: LPC COLOR: BLACK PIN: BRASS.



REV	DESCRIPTION	QTY	UNIT	OTHER PINS	DATE	PART NUMBER
11	TAPE AND REEL	1,17,34	35,51,68	ALL OTHER PINS	36,67	5535651-6
10	TAPE AND REEL	1,17,34	35,51,68	ALL OTHER PINS	36,67	5535651-5
9	TRAYS	1,17,34	35,51,68	ALL OTHER PINS	36,67	5535651-4
8	TAPE AND REEL	1,17,34	35,51,68	ALL OTHER PINS	36,67	5535651-3
7	TRAYS	1,17,34	35,51,68	ALL OTHER PINS	36,67	5535651-2
6	TRAYS	1,17,34	35,51,68	ALL OTHER PINS	36,67	5535651-1
VOLTAGE KEYING & IDENTIFICATION		5.0	4.25	3.5	PART NUMBER	
		[.197]	[.167]	[.138]	"L" (PIN LENGTH) AND LOCATION	

THIS DRAWING IS A CONTROLLED DOCUMENT.

AW: L. VARELA - DOCKS 03-23-05
 CHK: D.L. GORENC 03-23-05
 APP'D: M. WALMSLEY 03-23-05

Tyco Electronics Corporation
 Harrisburg, PA 17105-3608

PIN HEADER ASSY, 68 POSN, TOP BOARD MTG, SURFACE MT, AMP MEMORY CARD

WEIGHT: 6.5 GRAMS
 SIZE: A1
 CASE CODE: 00779
 DRAWING NO: 5535651

MATERIAL: 12 FINISH: 1

CUSTOMER DRAWING

SCALE: 4:1 SHEET 1 OF 1 REV A

**COPYRIGHT 2005
 TYCO ELECTRONICS CORP
 ALL RIGHTS RESERVED**

13 OBSOLETE PARTS: OBSOLETE CIS STREAMLINING PER D.RENAUD/D.SINISI

X-ON Electronics

Largest Supplier of Electrical and Electronic Components

Click to view similar products for [Memory Card Connectors](#) category:

Click to view products by [TE Connectivity](#) manufacturer:

Other Similar products are found below :

[M21-033321-005](#) [6407-249V-25273P](#) [6407-249V-25343P](#) [69.920.0553.0](#) [MCR60A-98D-2.54DSA\(70\)](#) [809180410000000](#) [DM3AT-SF-PEJM5\(41\)](#) [N7E50-7516PG-20-WF](#) [HMCAP001](#) [252-0144-000](#) [2041353-2](#) [308-DS1P0811-192](#) [HM2P09PDR360N9LF](#) [502431-1011](#) [10-247926-166](#) [10-629549-258N](#) [11327-001](#) [11327-002](#) [617230001](#) [95622-003LF](#) [N7E50-U516RB-50-SIN0005](#) [84648-056HLF](#) [93-570123-08P](#) [125A-78C00](#) [504536-0691](#) [CCM03-3109 B LFT](#) [MI21-50PD-SF\(91\)](#) [2309923-1](#) [61126-050CAHLF](#) [IC1GA-68PD-1.27DS-EJ\(72\)](#) [GTFP08432B1HR](#) [G85DT17001P1EU](#) [G85C11101152HHR](#) [G85D1160022HHR](#) [KP15TL-SF\(800\)](#) [KP10BH-8S-SF\(800\)](#) [SCE2MSDB76A121SN](#) [SCE2MSDZN76A121SN](#) [C00710B0250001](#) [47309-2651](#) [47481-0001](#) [67799-0004](#) [91228-3006](#) [104168-1616](#) [112I-TA01](#) [112K-TAA0-RA1](#) [115S-ACA2](#) [115S-ACA3](#) [115S-BS00](#) [115S-BT00](#)