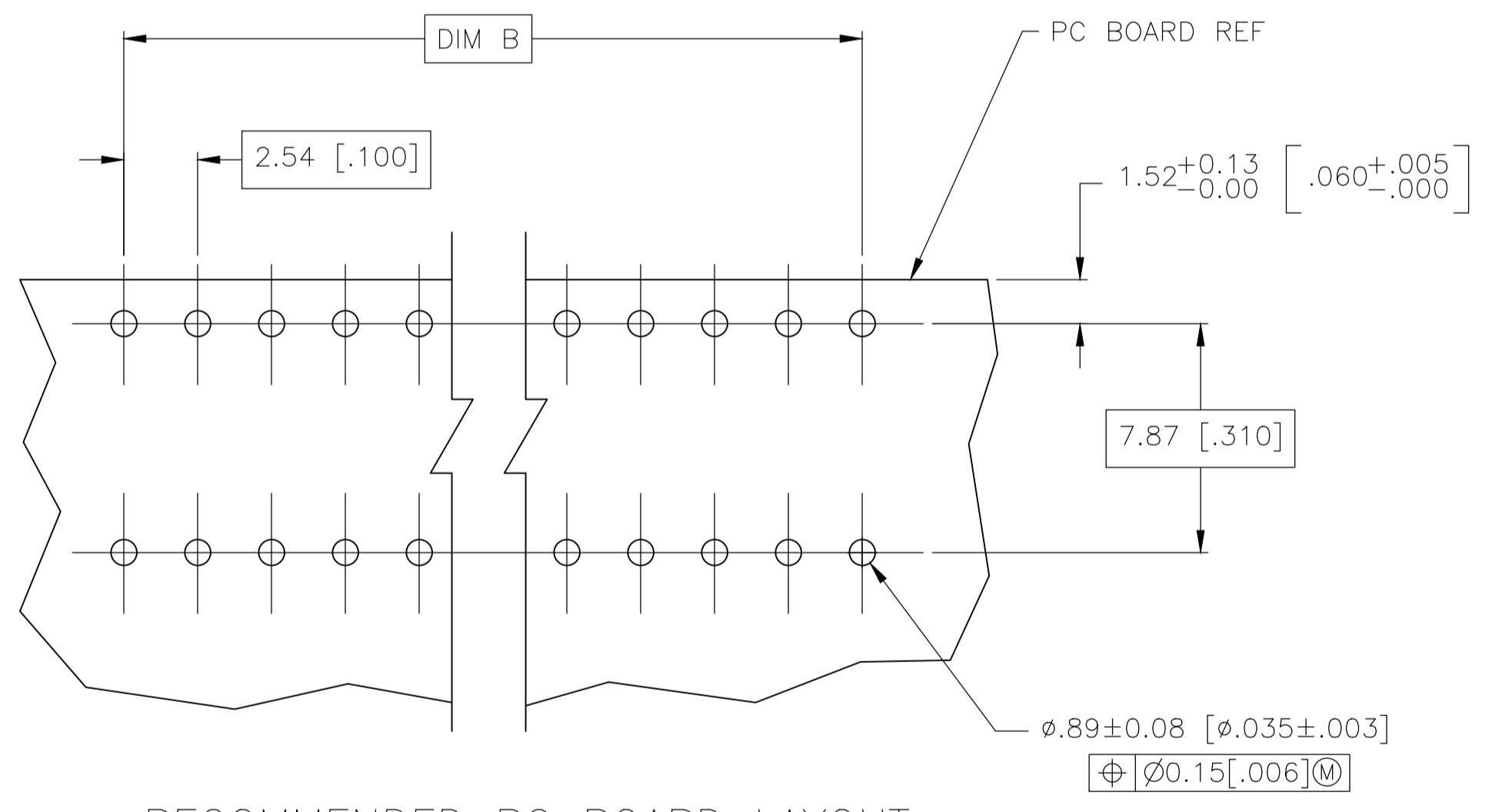
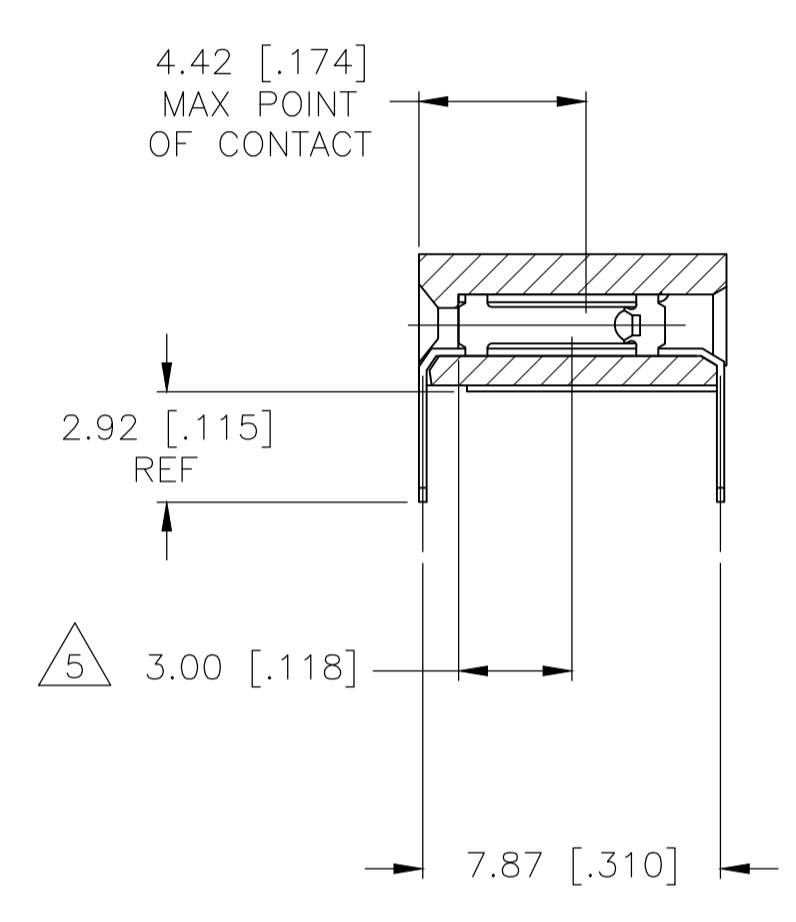
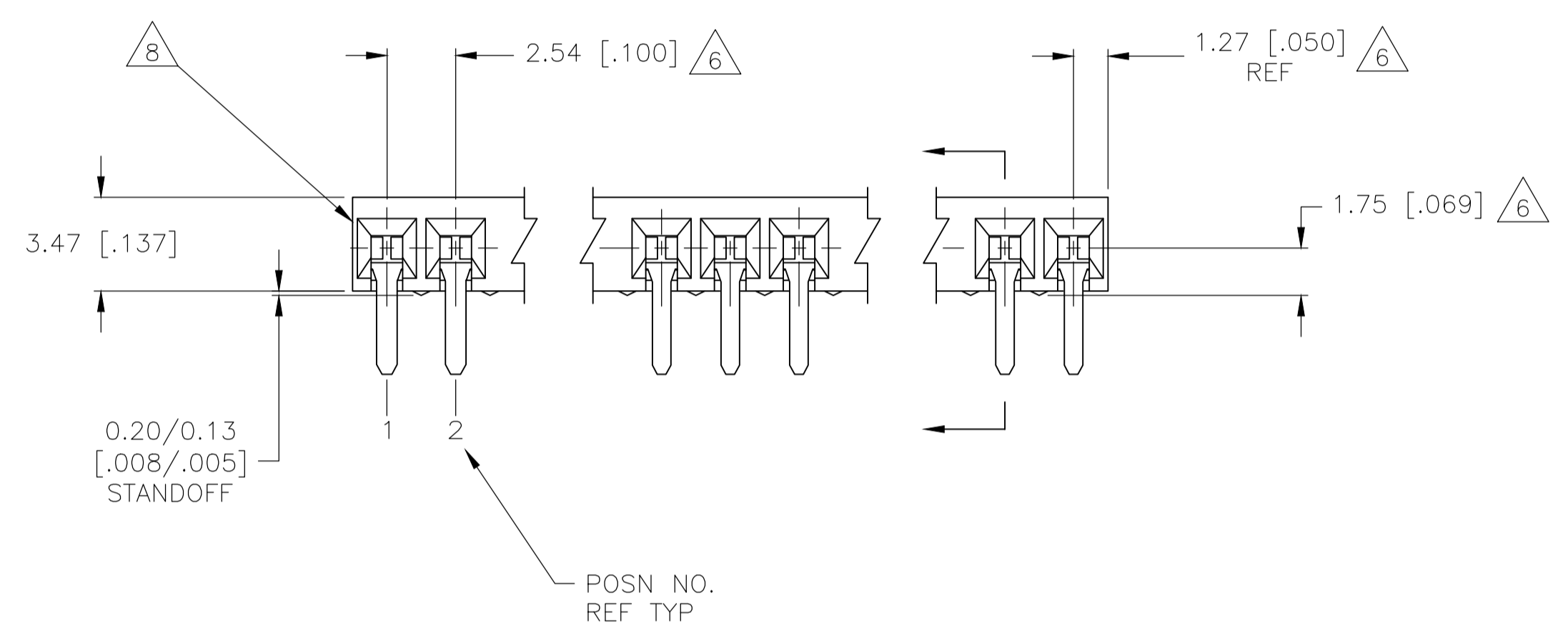
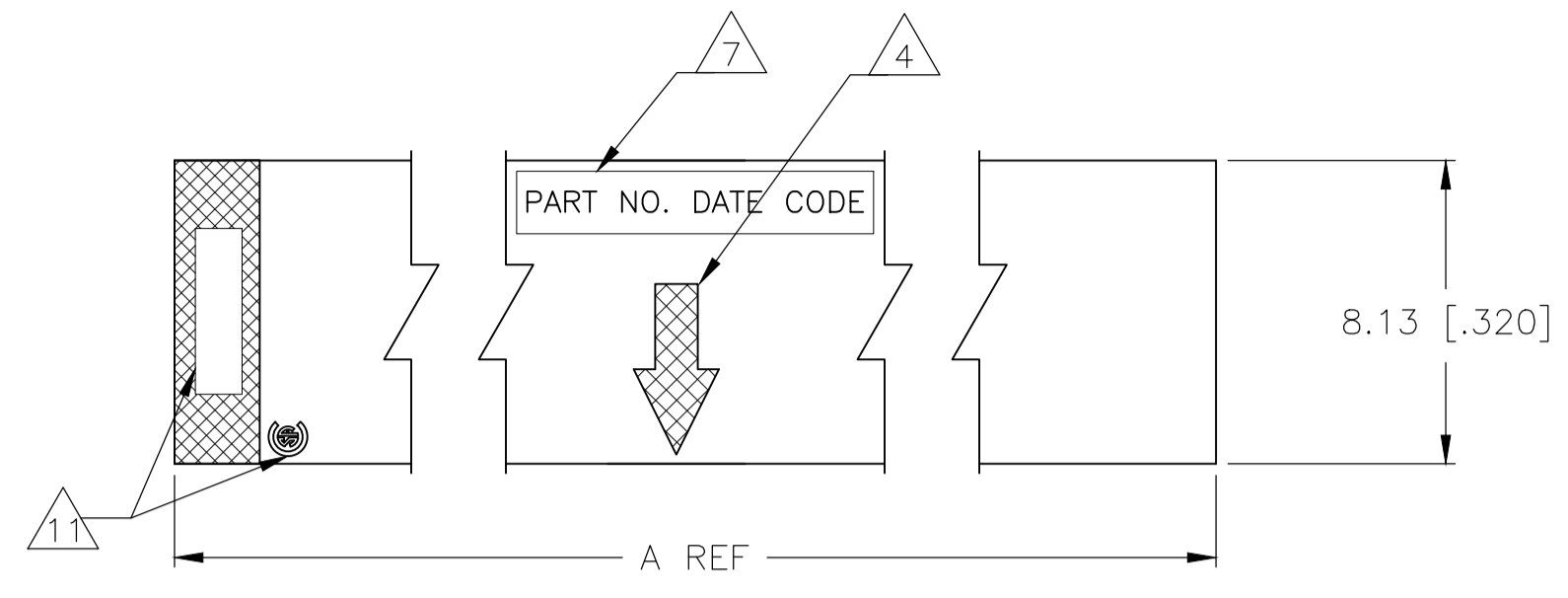


REVISIONS				
P	LTR	DESCRIPTION	DATE	BY
A6	NEW PN	7-5535676-2 ADDED	01NOV2020	DV KJK



RECOMMENDED PC BOARD LAYOUT

- 1 HOUSING MATERIAL: GLASS FILLED POLYESTER, COLOR- BLACK
- 2 CONTACT MATERIAL: PHOSPHOR BRONZE
- 3 CONTACT FINISH: 0.00076[.000030] THK DUPLEX PLATED GOLD ON CONTACT AREA, 3.81-7.62(.000150-.000300) MATTE TIN ALL OVER 0.00127[.000050] MIN NICKEL
- 4 MOLDED IN ARROW DESIGNATES THE MATING FACE OF THE CONNECTOR
- 5 POINT OF MEASUREMENT FOR PLATING THICKNESS OF CONTACT AREA
- 6 DIMENSIONS PERTAIN TO HOUSING CAVITY CENTERLINES
- 7 PART NUMBER AND DATE CODE MARKED IN APPROXIMATE LOCATION SHOWN, EITHER END
- 8 ALTERNATE LOCATION FOR DATE CODE FOR 2 AND 3 POSITION.
- 9 NO PART NUMBER MARKING REQUIRED FOR THIS PART.
- 10 ROHS 2002/95/EC COMPLIANT.
- 11 TE LOGO AND CSA LOGO ARE MOLDED INTO HOUSING, THIS LOCATION
- 12 CONTACT IN POSITION 2 OMITTED

NO. OF POSN	ASSEMBLY PART NUMBER
30.48[1.200]	7-5535676-2
162.56[6.400]	6-5535676-4
160.02[6.300]	6-5535676-3
157.48[6.200]	6-5535676-2
154.94[6.100]	6-5535676-1
152.40[6.000]	6-5535676-0
149.86[5.900]	5-5535676-9
147.32[5.800]	5-5535676-8
144.78[5.700]	5-5535676-7
139.70[5.500]	5-5535676-6
139.70[5.500]	5-5535676-5
137.16[5.400]	5-5535676-4
134.62[5.300]	5-5535676-3
132.08[5.200]	5-5535676-2
129.54[5.100]	5-5535676-1
127.00[5.000]	5-5535676-0
124.46[4.900]	4-5535676-9
121.92[4.800]	4-5535676-8
119.38[4.700]	4-5535676-7
116.84[4.600]	4-5535676-6
114.30[4.500]	4-5535676-5
111.76[4.400]	4-5535676-4
109.22[4.300]	4-5535676-3
106.68[4.200]	4-5535676-2
104.14[4.100]	4-5535676-1
101.16[4.000]	4-5535676-0
99.06[3.900]	3-5535676-9
96.52[3.800]	3-5535676-8
93.98[3.700]	3-5535676-7
91.44[3.600]	3-5535676-6
88.90[3.500]	3-5535676-5
86.36[3.400]	3-5535676-4
83.82[3.300]	3-5535676-3
81.28[3.200]	3-5535676-2
78.74[3.100]	3-5535676-1
76.20[3.000]	3-5535676-0
73.66[2.900]	2-5535676-9
71.12[2.800]	2-5535676-8
68.58[2.700]	2-5535676-7
66.04[2.600]	2-5535676-6
63.50[2.500]	2-5535676-5
60.96[2.400]	2-5535676-4
58.42[2.300]	2-5535676-3
55.88[2.200]	2-5535676-2
53.34[2.100]	2-5535676-1
50.80[2.000]	2-5535676-0
48.26[1.900]	1-5535676-9
45.72[1.800]	1-5535676-8
43.18[1.700]	1-5535676-7
40.64[1.600]	1-5535676-6
38.10[1.500]	1-5535676-5
35.56[1.400]	1-5535676-4
33.02[1.300]	1-5535676-3
30.48[1.200]	1-5535676-2
27.94[1.100]	1-5535676-1
25.40[1.000]	1-5535676-0
22.86[.900]	5535676-9
17.78[.700]	5535676-8
17.78[.700]	5535676-7
15.24[.600]	5535676-6
12.70[.500]	5535676-5
10.16[.400]	5535676-4
7.62[.300]	5535676-3
5.08[.200]	5535676-2
2.54[.100]	5535676-1

THIS DRAWING IS A CONTROLLED DOCUMENT. D5NDV04

DIMENSIONS: mm	TOLERANCES UNLESS OTHERWISE SPECIFIED:	0 PLC ± -	1 PLC ± -	2 PLC ± -	3 PLC ± 0.13[.005]	4 PLC ± -	ANGLES ± -
----------------	--	-----------	-----------	-----------	--------------------	-----------	------------

MATERIAL: FINISH: 3

WEIGHT: A1 00779 5535676

CUSTOMER DRAWING SCALE 5:1 SHEET 1 OF 1 REV A6

STE TE Connectivity

AMPMDU MODII RECP. ASSY., HORIZ., .100CL, 1 ROW CLOSED ENTRY, SPOC, END STACK

X-ON Electronics

Largest Supplier of Electrical and Electronic Components

Click to view similar products for [Headers & Wire Housings](#) category:

Click to view products by [TE Connectivity](#) manufacturer:

Other Similar products are found below :

[892-18-020-10-001101](#) [58102-G61-06LF](#) [582553-1](#) [0009485154](#) [009176003701906](#) [0050291907](#) [LY20-4P-DT1-P1E-BR](#) [02.125.8002.8](#)
[609-3404](#) [61062-3](#) [61082-181009](#) [622-3653LF](#) [63453-116](#) [636-1030](#) [636-1427](#) [636-3427](#) [636-4007](#) [641938-9](#) [641991-4](#) [644827-2](#) [65817-](#)
[010LF](#) [65817-015LF](#) [65863-015LF](#) [66207-023LF](#) [67095-007LF](#) [67601157](#) [68645-018](#) [68648-049](#) [70.362.1628.0](#) [70-4210](#) [70-4226B](#) [70-](#)
[4853B](#) [707-5020](#) [707-5028](#) [71.350.2428.0](#) [71918-208LF](#) [71961-016LF](#) [733-134](#) [733-162](#) [754199-000](#) [760-3052](#) [787-8014-00](#) [79531-3000](#)
[FCN-360C032-B](#) [FCN-367T-T012/H](#) [FCN-723D010/2](#) [80.063.4001.1](#) [800-90-001-10-001000](#) [800-90-010-10-002000](#) [801-43-002-10-013000](#)