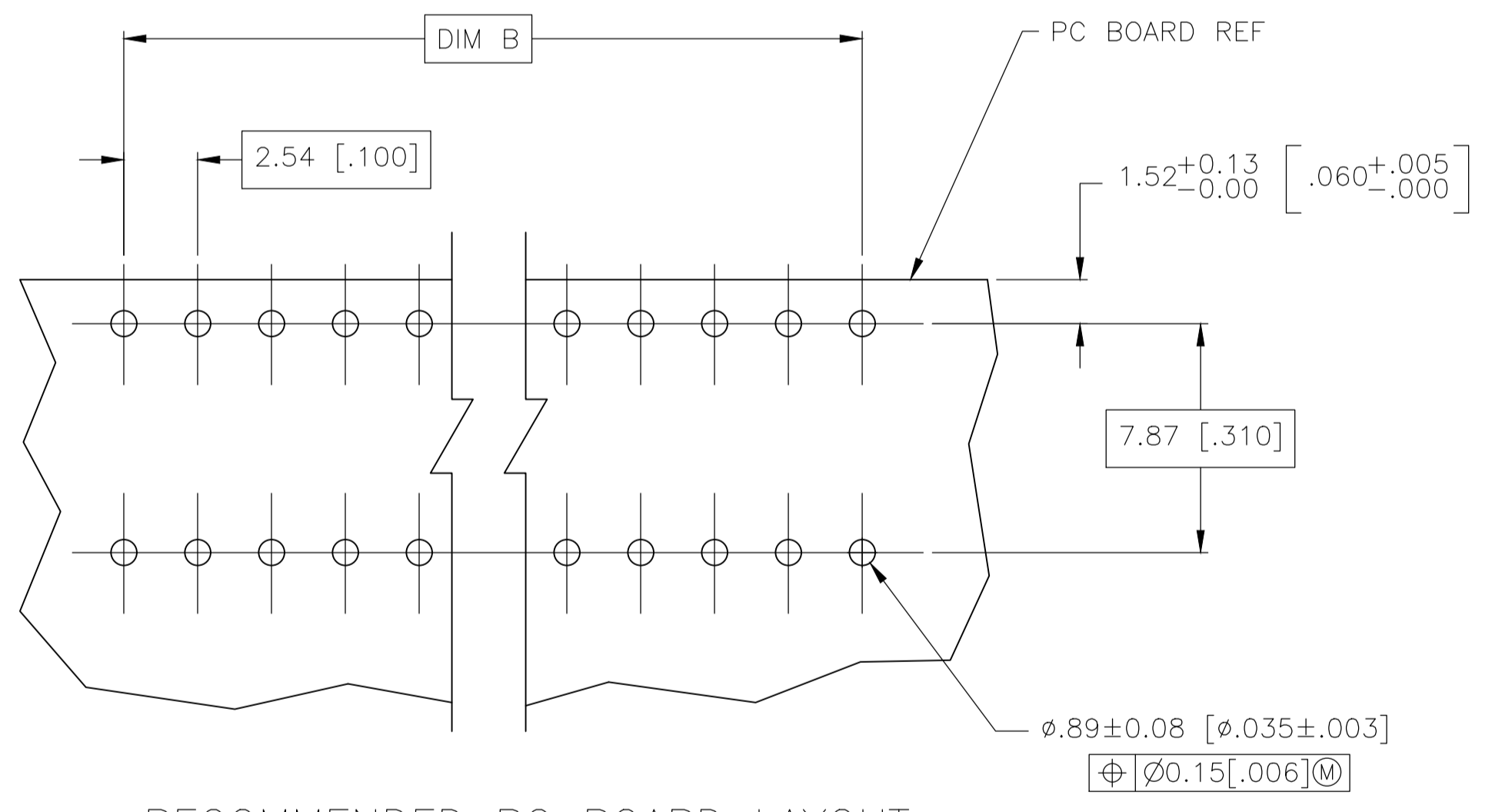
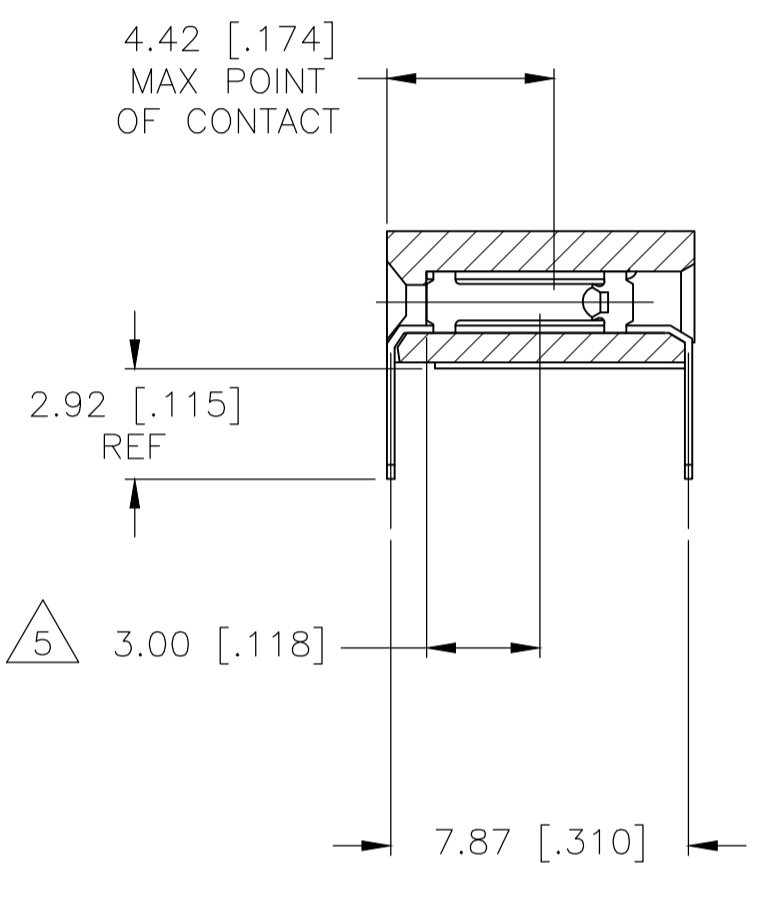
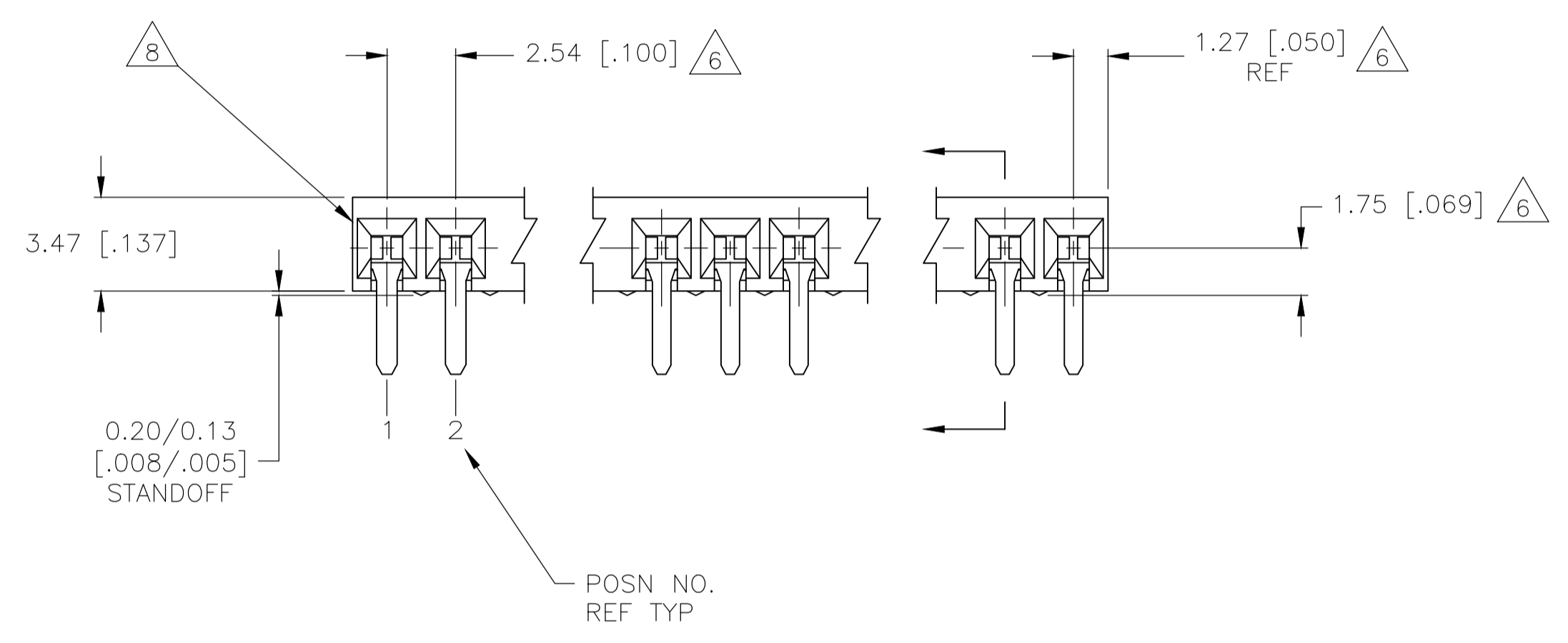
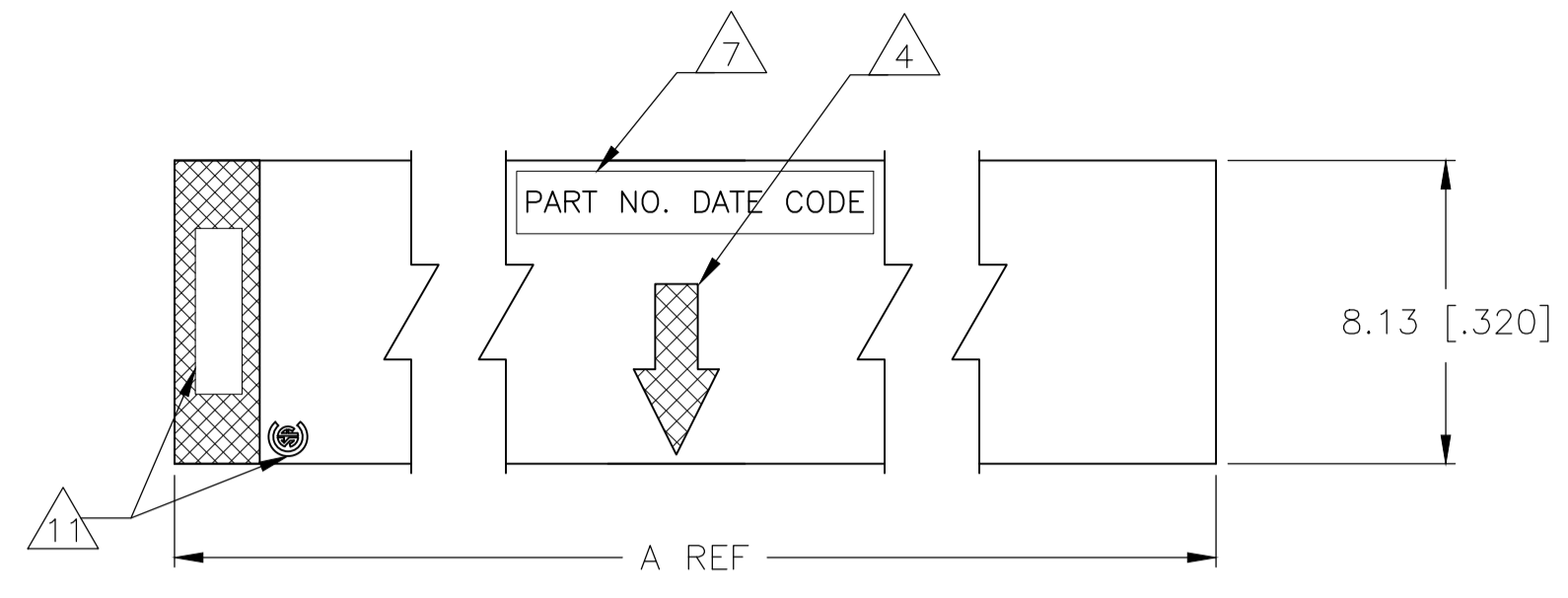


REVISIONS				
P	LTR	DESCRIPTION	DATE	APPV
A6		NEW PN 7-5535676-2 ADDED	01NOV2020	DV KJK



NO. OF POSN	ASSEMBLY PART NUMBER
12	30.48[1.200]
	162.56[6.400]
	160.02[6.300]
	157.48[6.200]
	154.94[6.100]
	152.40[6.000]
	149.86[5.900]
	147.32[5.800]
	144.78[5.700]
	139.70[5.500]
	139.70[5.500]
	137.16[5.400]
	134.62[5.300]
	132.08[5.200]
	129.54[5.100]
	127.00[5.000]
	124.46[4.900]
	121.92[4.800]
	119.38[4.700]
	116.84[4.600]
	114.30[4.500]
	111.76[4.400]
	109.22[4.300]
	106.68[4.200]
	104.14[4.100]
	101.16[4.000]
	99.06[3.900]
	96.52[3.800]
	93.98[3.700]
	91.44[3.600]
	88.90[3.500]
	86.36[3.400]
	83.82[3.300]
	81.28[3.200]
	78.74[3.100]
	76.20[3.000]
	73.66[2.900]
	71.12[2.800]
	68.58[2.700]
	66.04[2.600]
	63.50[2.500]
	60.96[2.400]
	58.42[2.300]
	55.88[2.200]
	53.34[2.100]
	50.80[2.000]
	48.26[1.900]
	45.72[1.800]
	43.18[1.700]
	40.64[1.600]
	38.10[1.500]
	35.56[1.400]
	33.02[1.300]
	30.48[1.200]
	27.94[1.100]
	25.40[1.000]
	22.86[.900]
	17.78[.700]
	15.24[.600]
	12.70[.500]
	10.16[.400]
	7.62[.300]
	5.08[.200]
	2.54[.100]
	13
	65
	64
	63
	62
	61
	60
	59
	58
	57
	56
	55
	54
	53
	52
	51
	50
	49
	48
	47
	46
	45
	44
	43
	42
	41
	40
	39
	38
	37
	36
	35
	34
	33
	32
	31
	30
	29
	28
	27
	26
	25
	24
	23
	22
	21
	20
	19
	18
	17
	16
	15
	14
	13
	12
	11
	10
	9
	8
	7
	6
	5
	4
	3
	2
	7-5535676-2
	6-5535676-4
	6-5535676-3
	6-5535676-2
	6-5535676-1
	6-5535676-0
	5-5535676-9
	5-5535676-8
	5-5535676-7
	5-5535676-6
	5-5535676-5
	5-5535676-4
	5-5535676-3
	5-5535676-2
	5-5535676-1
	5-5535676-0
	4-5535676-9
	4-5535676-8
	4-5535676-7
	4-5535676-6
	4-5535676-5
	4-5535676-4
	4-5535676-3
	4-5535676-2
	4-5535676-1
	4-5535676-0
	3-5535676-9
	3-5535676-8
	3-5535676-7
	3-5535676-6
	3-5535676-5
	3-5535676-4
	3-5535676-3
	3-5535676-2
	3-5535676-1
	3-5535676-0
	2-5535676-9
	2-5535676-8
	2-5535676-7
	2-5535676-6
	2-5535676-5
	2-5535676-4
	2-5535676-3
	2-5535676-2
	2-5535676-1
	2-5535676-0
	1-5535676-9
	1-5535676-8
	1-5535676-7
	1-5535676-6
	1-5535676-5
	1-5535676-4
	1-5535676-3
	1-5535676-2
	1-5535676-1
	1-5535676-0

- 1 HOUSING MATERIAL: GLASS FILLED POLYESTER, COLOR- BLACK
- 2 CONTACT MATERIAL: PHOSPHOR BRONZE
- 3 CONTACT FINISH: 0.00076[.000030] THK DUPLEX PLATED GOLD ON CONTACT AREA, 3.81-7.62[.000150-.000300] MATTE TIN ALL OVER 0.00127[.000050] MIN NICKEL
- 4 MOLDED IN ARROW DESIGNATES THE MATING FACE OF THE CONNECTOR
- 5 POINT OF MEASUREMENT FOR PLATING THICKNESS OF CONTACT AREA
- 6 DIMENSIONS PERTAIN TO HOUSING CAVITY CENTERLINES
- 7 PART NUMBER AND DATE CODE MARKED IN APPROXIMATE LOCATION SHOWN, EITHER END
- 8 ALTERNATE LOCATION FOR DATE CODE FOR 2 AND 3 POSITION.
- 9 NO PART NUMBER MARKING REQUIRED FOR THIS PART.
- 10 ROHS 2002/95/EC COMPLIANT.
- 11 TE LOGO AND CSA LOGO ARE MOLDED INTO HOUSING, THIS LOCATION

12 CONTACT IN POSITION 2 OMITTED

THIS DRAWING IS A CONTROLLED DOCUMENT. D5NDV04

DIMENSIONS: mm	TOLERANCES UNLESS OTHERWISE SPECIFIED:	0 PLC ± -	1 PLC ± -	2 PLC ± -	3 PLC ± 0.13[.005]	4 PLC ± -	ANGLES ± -
----------------	--	-----------	-----------	-----------	--------------------	-----------	------------

MATERIAL: 1 2 FINISH: 3

WEIGHT: --

CUSTOMER DRAWING

SCALE: 5:1 SHEET 1 OF 1 REV A6

STE TE Connectivity

AMPMDU MODII RECP. ASSY., HORIZ., .100CL, 1 ROW CLOSED ENTRY, SPOC, END STACK

SIZE: A1 CASE CODE: 00779 DRAWING NO: 5535676

X-ON Electronics

Largest Supplier of Electrical and Electronic Components

Click to view similar products for [Headers & Wire Housings](#) category:

Click to view products by [TE Connectivity](#) manufacturer:

Other Similar products are found below :

[892-18-020-10-001101](#) [58102-G61-06LF](#) [582553-1](#) [0009485154](#) [009176003701906](#) [0050291907](#) [LY20-4P-DT1-P1E-BR](#) [02.125.8002.8](#)
[609-3404](#) [61062-3](#) [61082-181009](#) [622-3653LF](#) [63453-116](#) [636-1030](#) [636-1427](#) [636-3427](#) [636-4007](#) [641938-9](#) [641991-4](#) [644827-2](#) [65817-010LF](#) [65817-015LF](#) [65863-015LF](#) [66207-023LF](#) [67095-007LF](#) [67601157](#) [68645-018](#) [68648-049](#) [70.362.1628.0](#) [70-4210](#) [70-4226B](#) [70-4853B](#) [707-5020](#) [707-5028](#) [71.350.2428.0](#) [71918-208LF](#) [71961-016LF](#) [733-134](#) [733-162](#) [754199-000](#) [760-3052](#) [787-8014-00](#) [79531-3000](#)
[FCN-360C032-B](#) [FCN-367T-T012/H](#) [FCN-723D010/2](#) [80.063.4001.1](#) [800-90-001-10-001000](#) [800-90-010-10-002000](#) [801-43-002-10-013000](#)