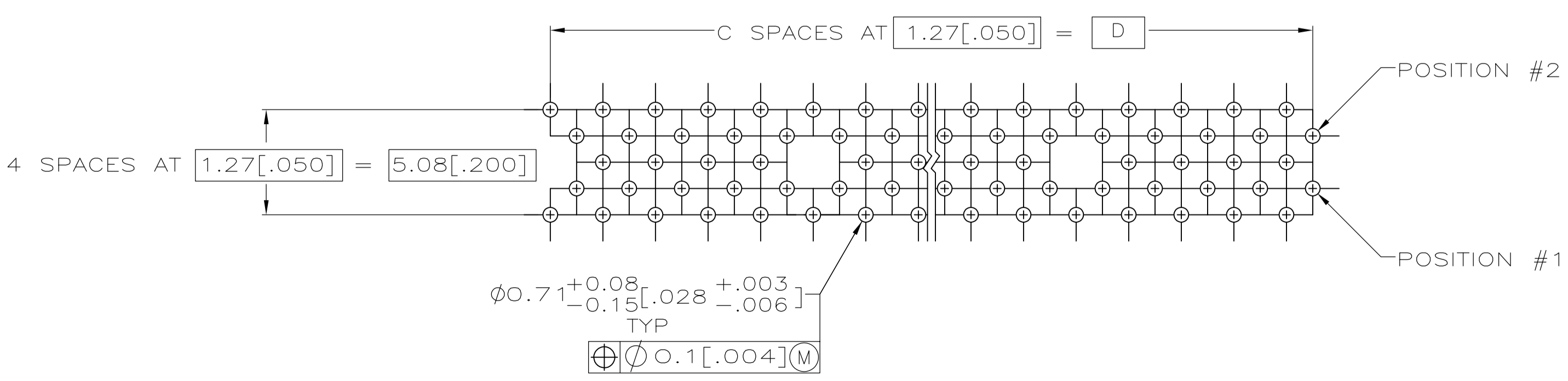
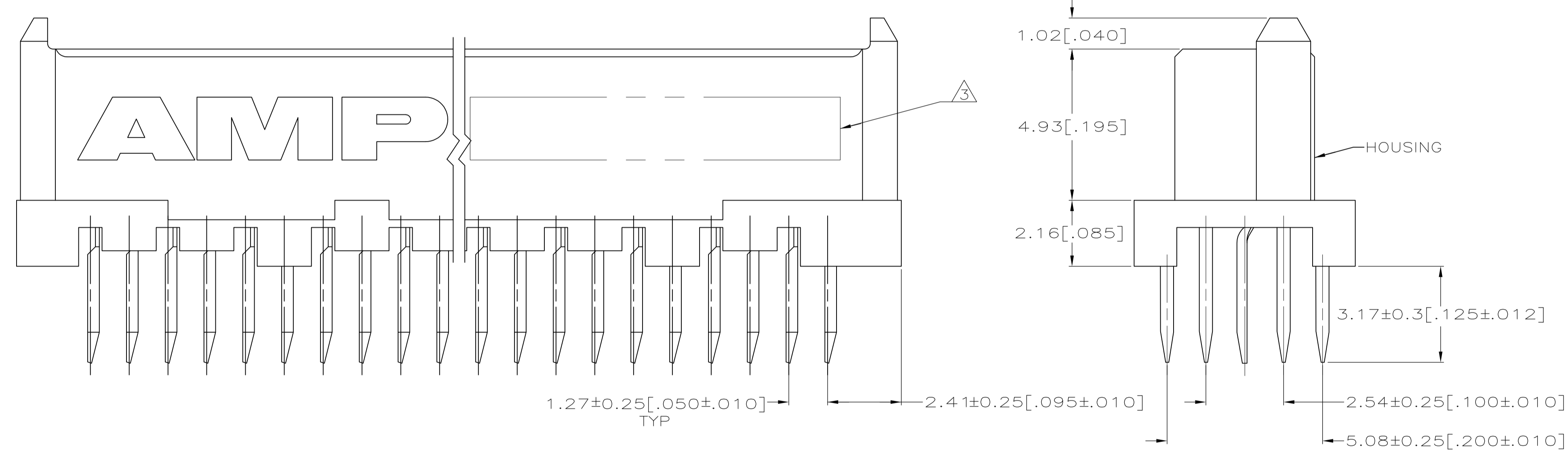


- 1 HOUSING: HIGH TEMPERATURE THERMOPLASTIC, COLOR NATURAL.  
RECEPTACLE CONTACTS: PHOSPHOR BRONZE.  
GROUND BUSES: PHOSPHOR BRONZE.
- 2 CONTACTS & GROUND BUSES: 0.00076(.000030) MIN. GOLD PER ASTM B 488 ON CONTACT AREA,  
0.00254-0.00762(.000100-.000300) MATTE TIN PER ASTM B 545 ON SOLDER TAIL, ALL OVER 0.00127-0.00254(.000050-.000100) MATTE NICKEL PER SAE AMS-QQ-N-290 ON ENTIRE CONTACT.
- 3 DATE CODE MARKED IN AREA INDICATED, ON SAME SIDE AS AMP LOGO.



RECOMMENDED PC BOARD HOLE LAYOUT  
(VIEWED FROM CONNECTOR SIDE)

OBSOLETE	125.73 [4.950]	99	127.94 [5.037]	130.56 [5.140]	200	5536254-9
	113.03 [4.450]	89	115.24 [4.537]	117.86 [4.640]	180	5536254-8
OBSOLETE	100.33 [3.950]	79	102.54 [4.037]	105.16 [4.140]	160	5536254-7
	87.63 [3.450]	69	89.84 [3.537]	92.46 [3.640]	140	5536254-6
	74.93 [2.950]	59	77.14 [3.037]	79.76 [3.140]	120	5536254-5
	62.23 [2.450]	49	64.44 [2.537]	67.06 [2.640]	100	5536254-4
	49.53 [1.950]	39	51.74 [2.037]	54.36 [2.140]	80	5536254-3
	36.83 [1.450]	29	39.01 [1.537]	41.66 [1.640]	60	5536254-2
	24.13 [.950]	19	26.34 [1.037]	28.96 [1.140]	40	5536254-1
	D	C	B	A	NO OF POS	PART NUMBER

THIS DRAWING IS A CONTROLLED DOCUMENT.		DIN A FERNANDEZ 01-20-05	Tyco Electronics Corporation Harrisburg, PA 17105-3608	
DIMENSIONS: INCHES		CHK D DIXON 01-20-05	NAME RECEPTACLE ASSEMBLY, VERTICAL, .125 TAIL, BOARD TO BOARD, MICROSTRIP	
TOLERANCES UNLESS OTHERWISE SPECIFIED:		APVD D DIXON 01-20-05	PRODUCT SPEC 108-1272	
0 PLC ± -		APPLICATION SPEC 114-11005		SIZE A1
1 PLC ± -		WEIGHT -		CAGE CODE 00779
2 PLC ± -		CUSTOMER DRAWING		DRAWING NO 5536254
3 PLC ± 0.13 (.005)		SCALE 10:1		SHEET 1 OF 1
4 PLC ± -		REV 02		
ANGLES ± -				

## X-ON Electronics

Largest Supplier of Electrical and Electronic Components

*Click to view similar products for [High Speed/Modular Connectors](#) category:*

*Click to view products by [TE Connectivity](#) manufacturer:*

Other Similar products are found below :

[650827-1](#) [74040-1346](#) [1410191-1](#) [1410368-3](#) [1410964-2](#) [1410326-3](#) [1410367-3](#) [1410971-4](#) [1467833-1](#) [2000877-1](#) [2000878-1](#) [2041314-1](#)  
[2065387-1](#) [2187307-1](#) [163P](#) [1934290-1](#) [2000875-1](#) [2065917-1](#) [2102736-2](#) [FSR-40](#) [2169868-2](#) [22354-8](#) [437-5040-000](#) [5-1393565-0](#) [039-](#)  
[0246-000](#) [0761601016](#) [0784461022](#) [10123159-12ELF](#) [030-2415-003/100 PK](#) [030-7380-004](#) [030-2494-001](#) [532939-1](#) [5532901-3](#) [3-1469268-](#)  
[7](#) [74748-102LF](#) [73670-0247](#) [10041743-101LF](#) [10066670-100002LF](#) [1-533915-1](#) [249-4515-000](#) [7-1469373-3](#) [DL2-2J/S](#) [2000713-8](#)  
[2000713-7](#) [10124313-101LF](#) [3011-21](#) [757105208](#) [EBTF-4-10-2.0-S-RA-1](#) [430305-001](#) [4395800100](#)