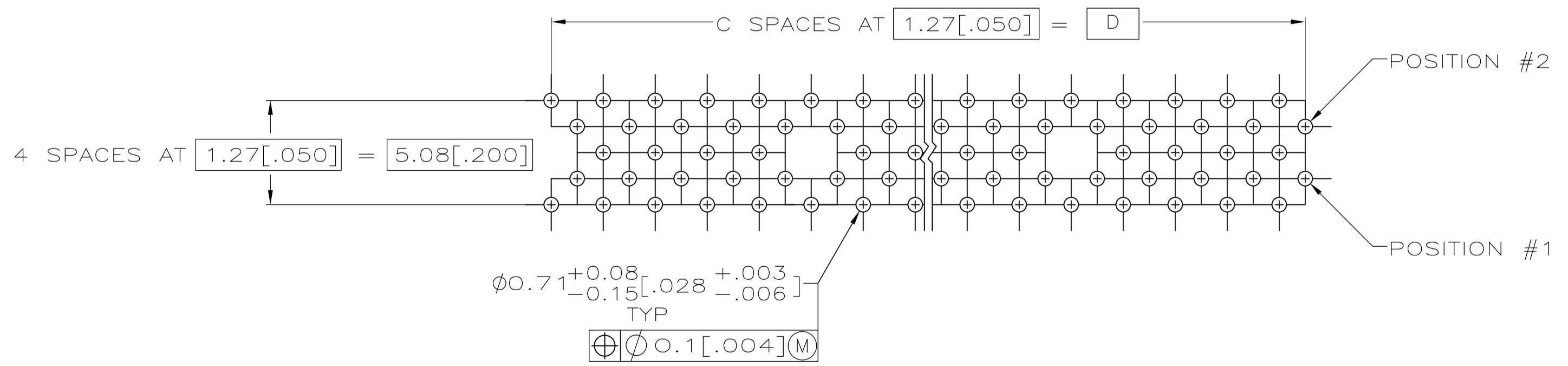
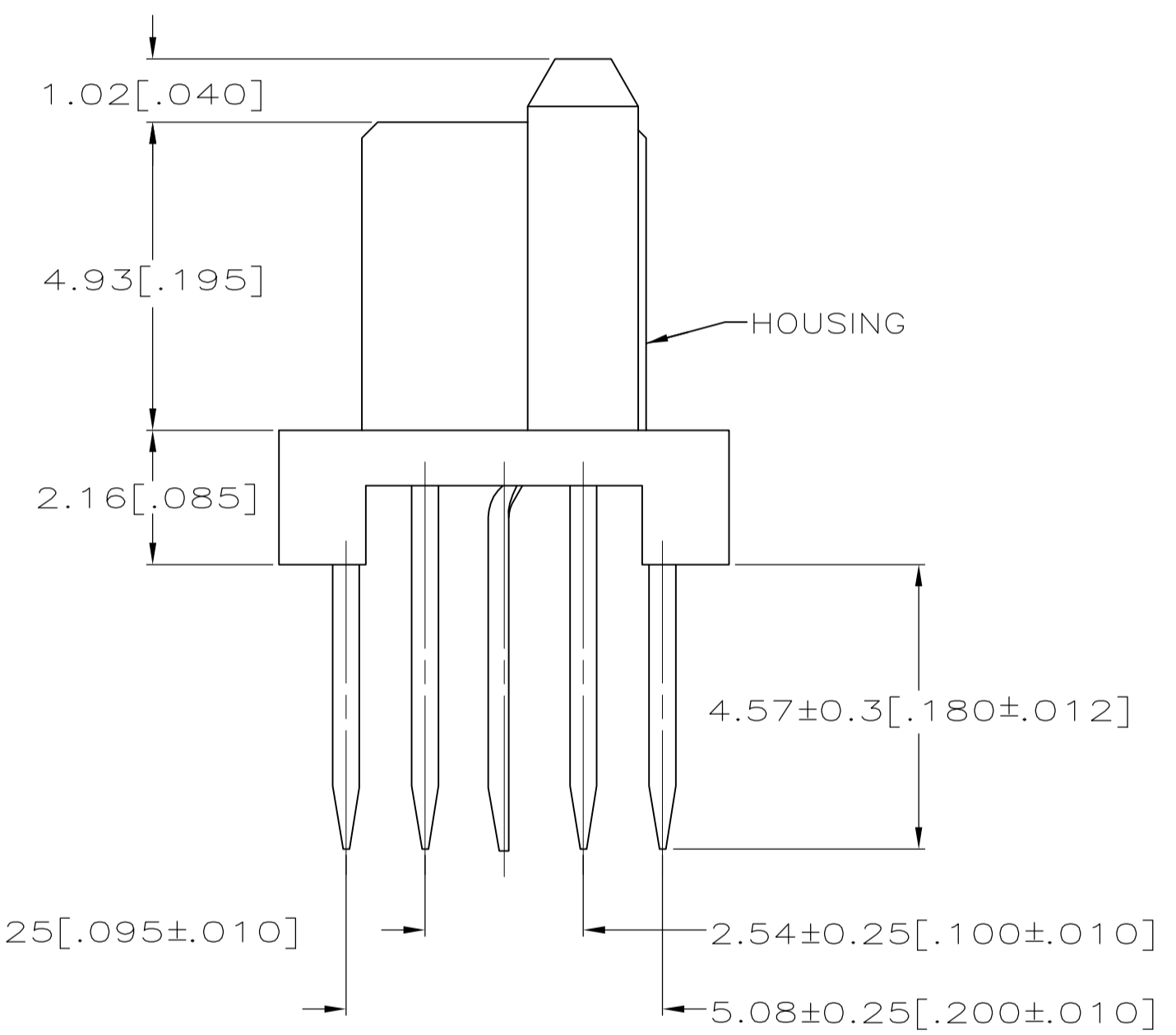
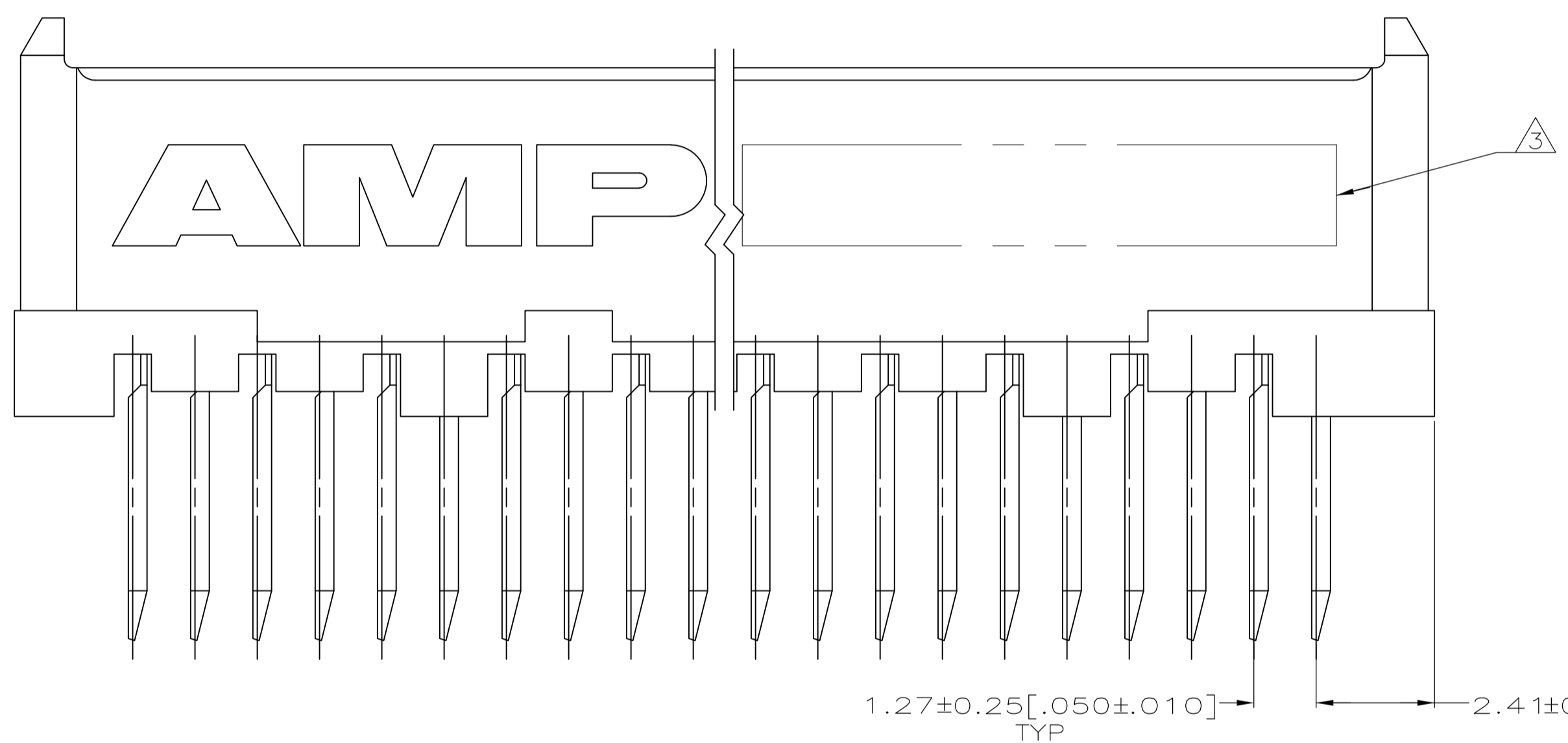


- ① HOUSING: HIGH TEMPERATURE THERMOPLASTIC, COLOR NATURAL.  
RECEPTACLE CONTACTS: PHOSPHOR BRONZE.  
GROUND BUSES: PHOSPHOR BRONZE.
- ② CONTACTS & GROUND BUSES: 0.00076(.000030) MIN. GOLD PER ASTM B 488 ON CONTACT AREA, 0.00254-0.00762(.000100-.000300) MATTE TIN PER ASTM B 545 ON SOLDER TAIL, ALL OVER 0.00127-0.00254(.000050-.000100) MATTE NICKEL PER SAE AMS-QQ-N-290 ON ENTIRE CONTACT.
- ③ DATE CODE MARKED IN AREA INDICATED, ON SAME SIDE AS AMP LOGO.



RECOMMENDED PC BOARD HOLE LAYOUT  
(VIEWED FROM CONNECTOR SIDE)

	125.73[4.950]	99	127.94[5.037]	130.56[5.140]	200	5536255-9
	100.33[3.950]	79	102.54[4.037]	105.16[4.140]	160	5536255-7
OBSOLETE	87.63[3.450]	69	89.84[3.537]	92.46[3.640]	140	5536255-6
	74.93[2.950]	59	77.14[3.037]	79.76[3.140]	120	5536255-5
	62.23[2.450]	49	64.44[2.537]	67.06[2.640]	100	5536255-4
OBSOLETE	49.53[1.950]	39	51.74[2.037]	54.36[2.140]	80	5536255-3
OBSOLETE	36.83[1.450]	29	39.01[1.537]	41.66[1.640]	60	5536255-2
	24.13[.950]	19	26.34[1.037]	28.96[1.140]	40	5536255-1
	D	C	B	A	NO OF POS	PART NUMBER

THIS DRAWING IS A CONTROLLED DOCUMENT.

DIMENSIONS: mm [INCHES]	TOLERANCES UNLESS OTHERWISE SPECIFIED:	0 PLC ± -	1 PLC ± -	2 PLC ± -	3 PLC ± 0.13 [.005]	4 PLC ± -	ANGLES ± -
THIS DRAWING IS A CONTROLLED DOCUMENT. DIBN A FERNANDEZ 01-20-05 CHK D DIXON 01-20-05 APVD D DIXON 01-20-05 NAME RECEPTACLE ASSEMBLY, VERTICAL, 4.57[.180] TAIL, BOARD TO BOARD, MICROSTRIP PRODUCT SPEC 108-1272 APPLICATION SPEC 114-11005 WEIGHT - CUSTOMER DRAWING		Tyco Electronics Corporation Harrisburg, PA 17105-3608		SIZE A1 CAGE CODE 00779 DRAWING NO. 5536255 RESTRICTED TO			
SCALE 10:1		SHEET 1 OF 1		REV 02			

## X-ON Electronics

Largest Supplier of Electrical and Electronic Components

*Click to view similar products for [Board to Board & Mezzanine Connectors](#) category:*

*Click to view products by [TE Connectivity](#) manufacturer:*

Other Similar products are found below :

[10135583-642402LF](#) [89885-310LF](#) [589158040000018](#) [6-1393048-0](#) [68683-613](#) [MDF7-12DP-2.54DSA](#) [MDF7-18P-2.54DSA\(01\)](#) [MDF7-20DP-2.54DSA](#) [MDF7-26D-2.54DSA\(55\)](#) [MDF7-3P-2.54DSA\(01\)](#) [MDF7B-3P-2.54DSA\(55\)](#) [MDF7C-11P-2.54DSA\(55\)](#) [MDF7C-18P-2.54DSA\(55\)](#) [MDF7C-5P-2.54DSA\(01\)](#) [MDF7P-5P-2.54DSA\(55\)](#) [75234-0516](#) [FCN-230C068-11](#) [FCN-268F012-G/BD](#) [FCN-268F036-G/BD](#) [FCN-268M012-G/0D](#) [FCN-268M024-G/1D](#) [FCN-360C008-C](#) [FCN-360C040-C](#) [FCN-723J004/1](#) [MIS-048-01-F-D-DP-K](#) [832-10-034-10-001000](#) [93696-325LF](#) [11828-1FA](#) [AXK630345P](#) [18097-0013](#) [ICA-328STT](#) [2007042-2](#) [304400-2](#) [FCN-214Q030-G/0](#) [FCN-215Q040-G/0](#) [FCN-230C068-ESA](#) [FCN-234P048-G/0](#) [FCN-235D050-G/C](#) [FCN-360A3](#) [FCN-360C040-B](#) [210-93-314-41-105000](#) [2-22603-0](#) [379-064-521-202](#) [MDF7-12P-2.54DSA\(01\)](#) [MDF7-16P-2.54DS\(56\)](#) [MDF7-40DP-2.54DSA\(55\)](#) [MDF7-8P-2.54DSA\(55\)](#) [MDF7B-16P-2.54DSA\(55\)](#) [AXG720047](#) [5031084030](#)