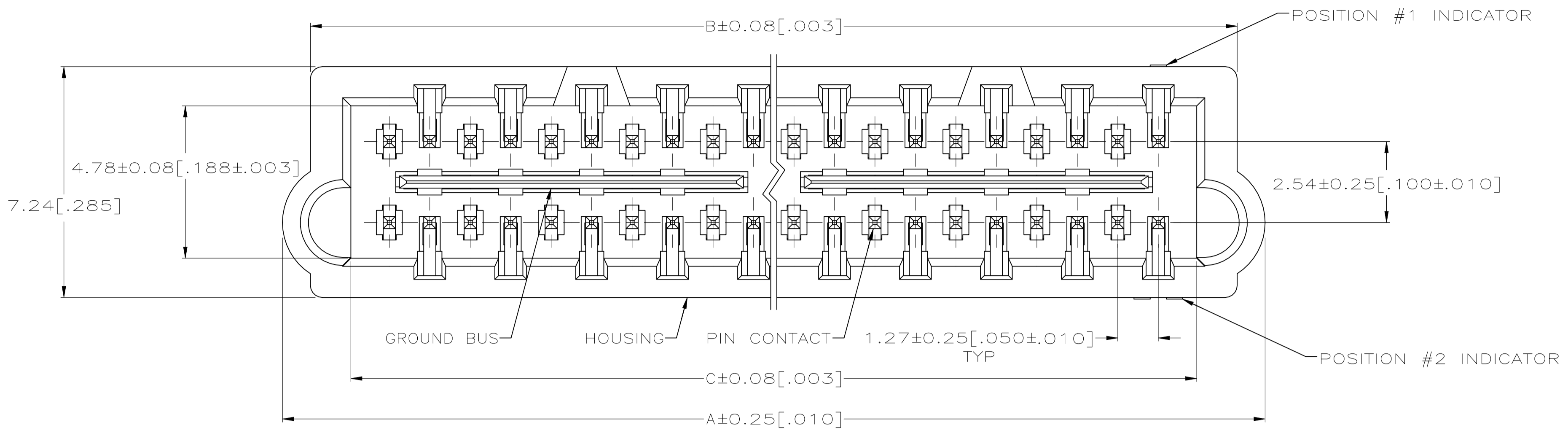
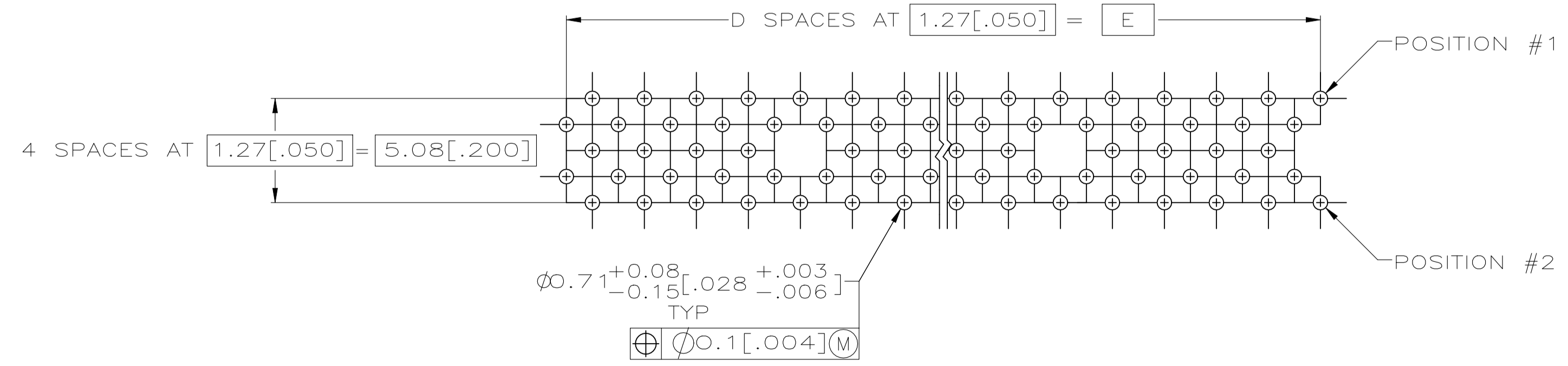
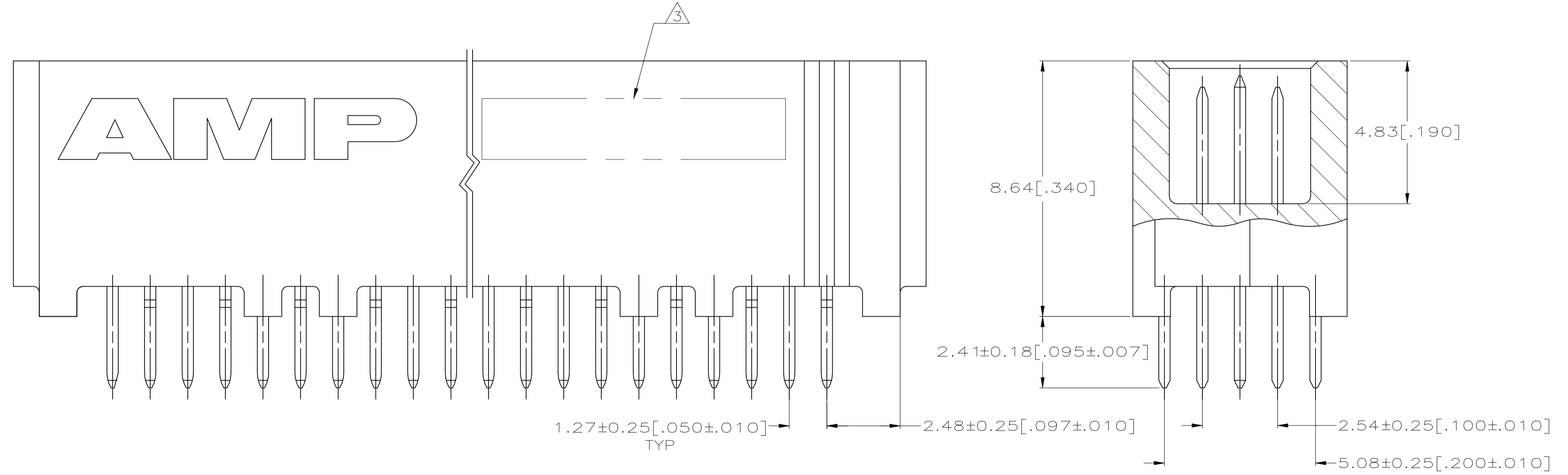


REVISIONS					
REV	DESCRIPTION	DATE	BY	APP'D	REV
R	REVISED PER ECO-20-011414	05JAN2021	AP	SY	



- 1 HOUSING: HIGH TEMPERATURE THERMOPLASTIC, COLOR NATURAL.  
PIN CONTACTS: PHOSPHOR BRONZE.  
GROUND BUSES: PHOSPHOR BRONZE.
- 2 CONTACTS & GROUND BUSES: 0.00076(.000030) MIN. GOLD PER ASTM B 488 ON CONTACT AREA, 0.00254-0.00762(.000100-.000300) MATTE TIN PER ASTM B 545 ON SOLDER TAIL, ALL OVER 0.00127-0.00254(.000050-.000100) MATTE NICKEL PER SAE AMS-QQ-N-290 ON ENTIRE CONTACT.
- 3 DATE CODE MARKED IN AREA INDICATED.



OBSOLETE	151.13[5.950]	119	153.62[6.048]	156.08[6.145]	157.84[6.214]	240	1-5536280-1
OBSOLETE	125.73[4.950]	99	128.22[5.048]	130.68[5.145]	132.44[5.214]	200	-5536280-9-
OBSOLETE	113.03[4.450]	89	115.52[4.548]	117.98[4.645]	119.74[4.714]	180	-5536280-8-
OBSOLETE	100.33[3.950]	79	102.82[4.048]	105.28[4.145]	107.04[4.214]	160	-5536280-7-
OBSOLETE	87.63[3.450]	69	90.12[3.548]	92.58[3.645]	94.34[3.714]	140	-5536280-6-
OBSOLETE	74.93[2.950]	59	77.42[3.048]	79.88[3.145]	81.64[3.214]	120	-5536280-5-
	62.23[2.450]	49	64.72[2.548]	67.18[2.645]	68.94[2.714]	100	5536280-4
OBSOLETE	49.53[1.950]	39	52.02[2.048]	54.48[2.145]	56.24[2.214]	80	-5536280-3-
OBSOLETE	36.83[1.450]	29	39.32[1.548]	41.78[1.645]	43.54[1.714]	60	-5536280-2-
OBSOLETE	24.13[.950]	19	26.62[1.048]	29.08[1.145]	30.84[1.214]	40	-5536280-1-
	E	D	C	B	A	NO OF POS	PART NUMBER

THIS DRAWING IS A CONTROLLED DOCUMENT.

DIMENSIONS: mm [INCHES]	TOLERANCES UNLESS OTHERWISE SPECIFIED:	DIN G. ATTADIA 01-19-05	DATE	01-19-05
0 PLC ± -	1 PLC ± -	CHK D. DIXON 01-19-05	NAME	PLUG ASSEMBLY, 10.92[.430] STACK, 2.41[.095] SOLDER TAIL.
2 PLC ± -	3 PLC ± 0.13 [.005]	APP'D D. DIXON 01-19-05	PRODUCT SPEC	108-1272
4 PLC ± -	ANGLES ± -	APPLICATION SPEC	114-11005	SIZE CAGE CODE DRAWING NO
MATERIAL	FINISH	WEIGHT	0.000000	A1 00779 C=5536280
		CUSTOMER DRAWING	SCALE 10:1	SHEET 1 of 1 REV R

STC TE Connectivity

## X-ON Electronics

Largest Supplier of Electrical and Electronic Components

*Click to view similar products for [High Speed/Modular Connectors](#) category:*

*Click to view products by [TE Connectivity](#) manufacturer:*

Other Similar products are found below :

[650827-1](#) [74040-1346](#) [1410191-1](#) [1410368-3](#) [1410964-2](#) [1410326-3](#) [1410367-3](#) [1410971-4](#) [1467833-1](#) [2000877-1](#) [2000878-1](#) [2041314-1](#)  
[2065387-1](#) [2187307-1](#) [163P](#) [1934290-1](#) [2000875-1](#) [2065917-1](#) [2102736-2](#) [FSR-40](#) [2169868-2](#) [22354-8](#) [437-5040-000](#) [5-1393565-0](#) [039-](#)  
[0246-000](#) [0740618502](#) [0761601016](#) [0784461022](#) [10123159-12ELF](#) [030-2415-003/100 PK](#) [030-7380-004](#) [030-2494-001](#) [532939-1](#) [5532901-](#)  
[3](#) [3-1469268-7](#) [74748-102LF](#) [10041743-101LF](#) [10066670-100002LF](#) [1-533915-1](#) [249-4515-000](#) [7-1469373-3](#) [DL2-2J/S](#) [2000713-8](#)  
[2000713-7](#) [10124313-101LF](#) [3011-21](#) [757105208](#) [430305-001](#) [4395800100](#) [8140115](#)