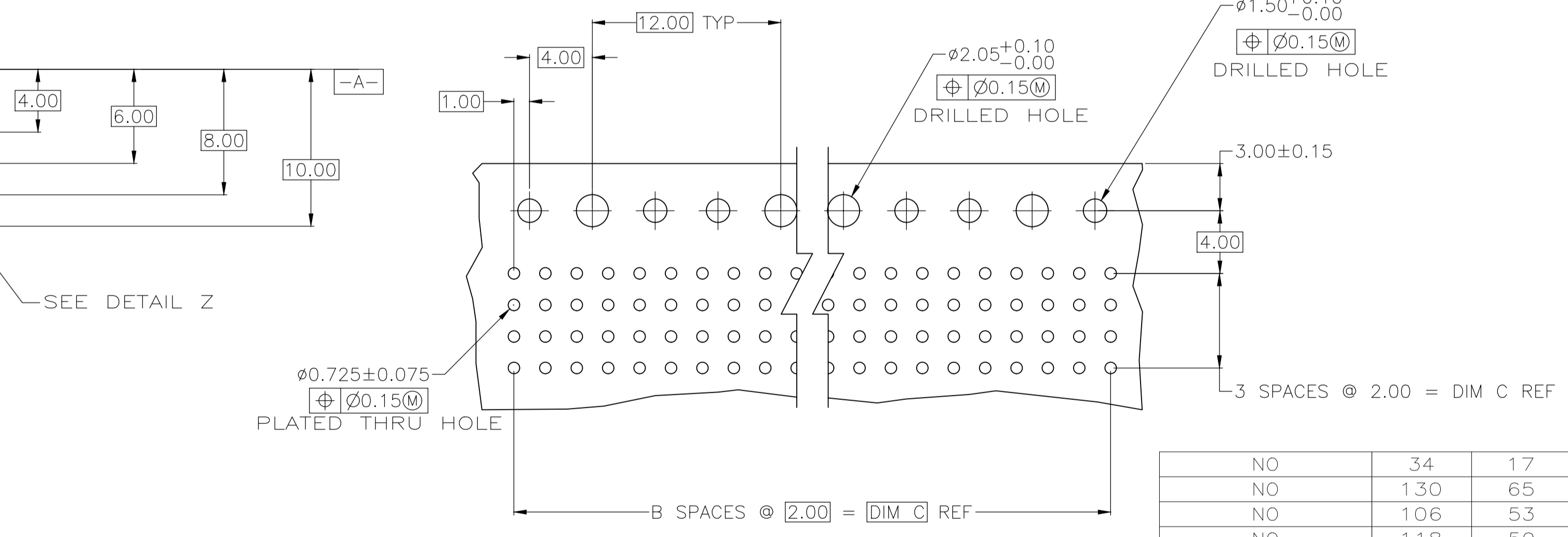


TYPICAL COLD HOLD FOR ALL ASSEMBLIES



RECOMMENDED CIRCUIT PATTERN PER IPC-D300 TYPE II, CLASS C (COMPONENT SIDE)

NO	34	17	35.88	3	72	1-5536507-1
NO	130	65	131.88	3	264	1-5536507-6
NO	106	53	107.88	3	216	1-5536507-9
NO	118	59	119.88	3	240	1-5536507-8
NO	70	35	71.88	3	144	5536507-7
NO	58	29	59.88	3	120	5536507-6
NO	82	41	83.88	3	168	5536507-5
NO	94	47	95.88	3	192	5536507-4
NO	46	23	47.88	3	96	5536507-3
NO	22	11	23.88	3	48	5536507-2
YES	10	5	11.88	3	24	5536507-1
POSITIONING PEGS	C	B	A	FINISH	NO OF POSN	PART NUMBER

- 1 HOUSING MATERIAL: LIQUID CRYSTAL POLYMER
COLOR: NATURAL.
- 2 CONTACT MATERIAL: PHOSPHOR-BRONZE.
- 3 CONTACT FINISH:
UNDERPLATE (ENTIRE CONTACT) -
0.00127 MIN NICKEL PER SAE-AMS-QQ-N-290.
ON MATING SURFACES -
CONFORMS TO ALL TESTING SPECIFIED FOR TELCORDIA
UNCONTROLLED ENVIRONMENT
ON LEADS -
0.00381 MIN TIN PER ASTM B 545, OVER UNDERPLATE
LUBRICATION (MIN MATING SURFACES)
SURFACE CONDITIONER PER AMP SPEC. 112-1002 AFTER PLATING.
- 4 PART MARKING, LOCATED APPROXIMATELY AS SHOWN.
- 5 OBSOLETE PARTS: OBSOLETE CIS STREAMLINING PER D.RENAUD/D.SINISI
- 6 TE OR TE CONNECTIVITY LOGO IS LOCATED.

THIS DRAWING IS A CONTROLLED DOCUMENT.

DIMENSIONS: mm	TOLERANCES UNLESS OTHERWISE SPECIFIED:	DIN 30AUG04	STE	TE Connectivity
0 PLC ± -	1 PLC ± -	2 PLC ± .13	3 PLC ± -	4 PLC ± -
ANGLES ± -				
MATERIAL	FINISH	APPROVED	NAME	RECEPTACLE ASSEMBLY, SIGNAL MODULE, Z-PACK, 2mm FB, 4 ROW, 2.73mm LEAD LENGTH
1	2	3	APPROVED	PRODUCT SPEC
			APPLICATION SPEC	SIZE
			WEIGHT	CAGE CODE
				DRAWING NO
				RESTRICTED TO
				SCALE
				SHEET
				REV

X-ON Electronics

Largest Supplier of Electrical and Electronic Components

Click to view similar products for [High Speed/Modular Connectors](#) category:

Click to view products by [TE Connectivity](#) manufacturer:

Other Similar products are found below :

[650827-1](#) [74040-1346](#) [1410191-1](#) [1410368-3](#) [1410964-2](#) [1410326-3](#) [1410367-3](#) [1410971-4](#) [1467833-1](#) [2000877-1](#) [2000878-1](#) [2041314-1](#)
[2065387-1](#) [2187307-1](#) [163P](#) [1934290-1](#) [2000875-1](#) [2065917-1](#) [2102736-2](#) [FSR-40](#) [2169868-2](#) [22354-8](#) [437-5040-000](#) [5-1393565-0](#) [039-](#)
[0246-000](#) [0761601016](#) [0784461022](#) [10123159-12ELF](#) [030-2415-003/100 PK](#) [030-7380-004](#) [030-2494-001](#) [532939-1](#) [5532901-3](#) [3-1469268-](#)
[7](#) [74748-102LF](#) [10041743-101LF](#) [10066670-100002LF](#) [1-533915-1](#) [249-4515-000](#) [7-1469373-3](#) [DL2-2J/S](#) [2000713-8](#) [2000713-7](#)
[10124313-101LF](#) [3011-21](#) [757105208](#) [EBTF-4-10-2.0-S-RA-1](#) [430305-001](#) [4395800100](#) [8140115](#)