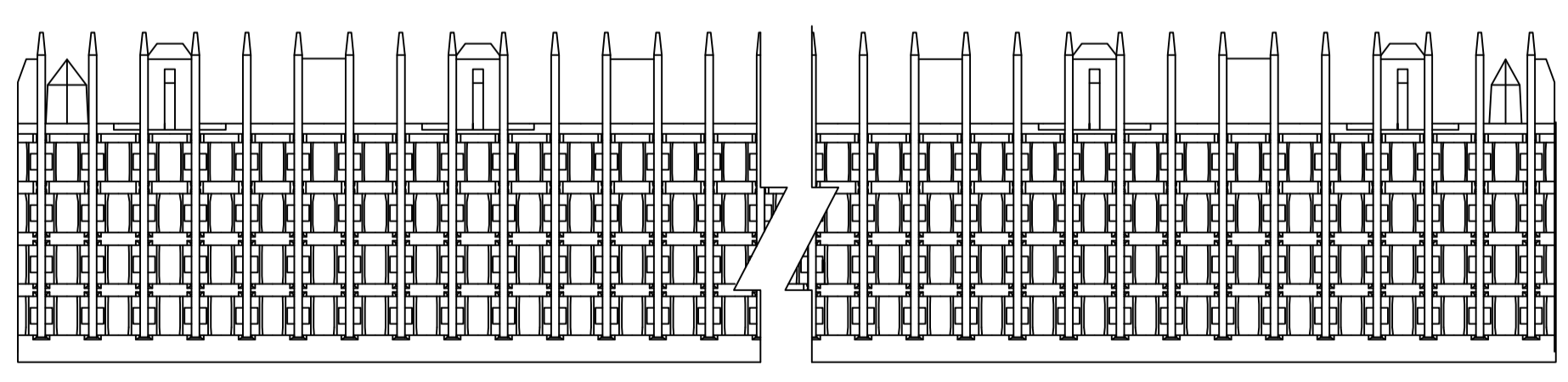
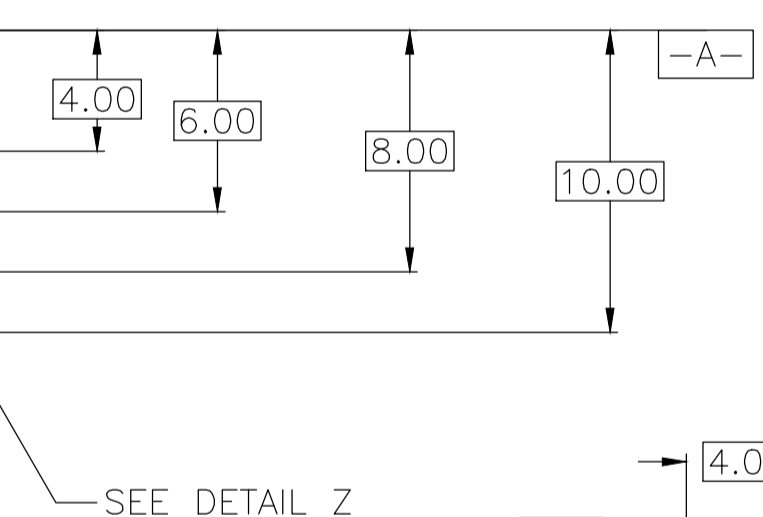
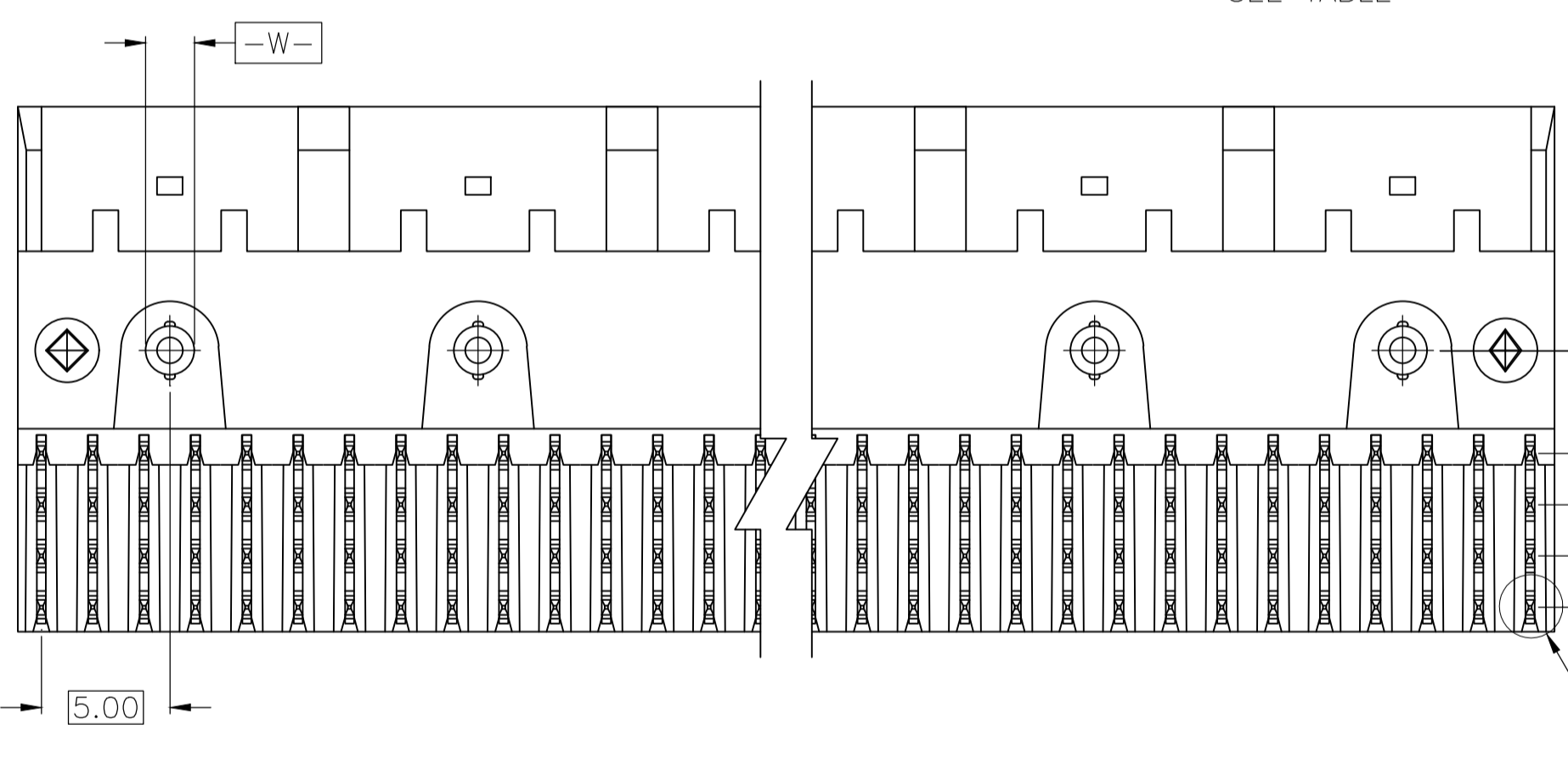
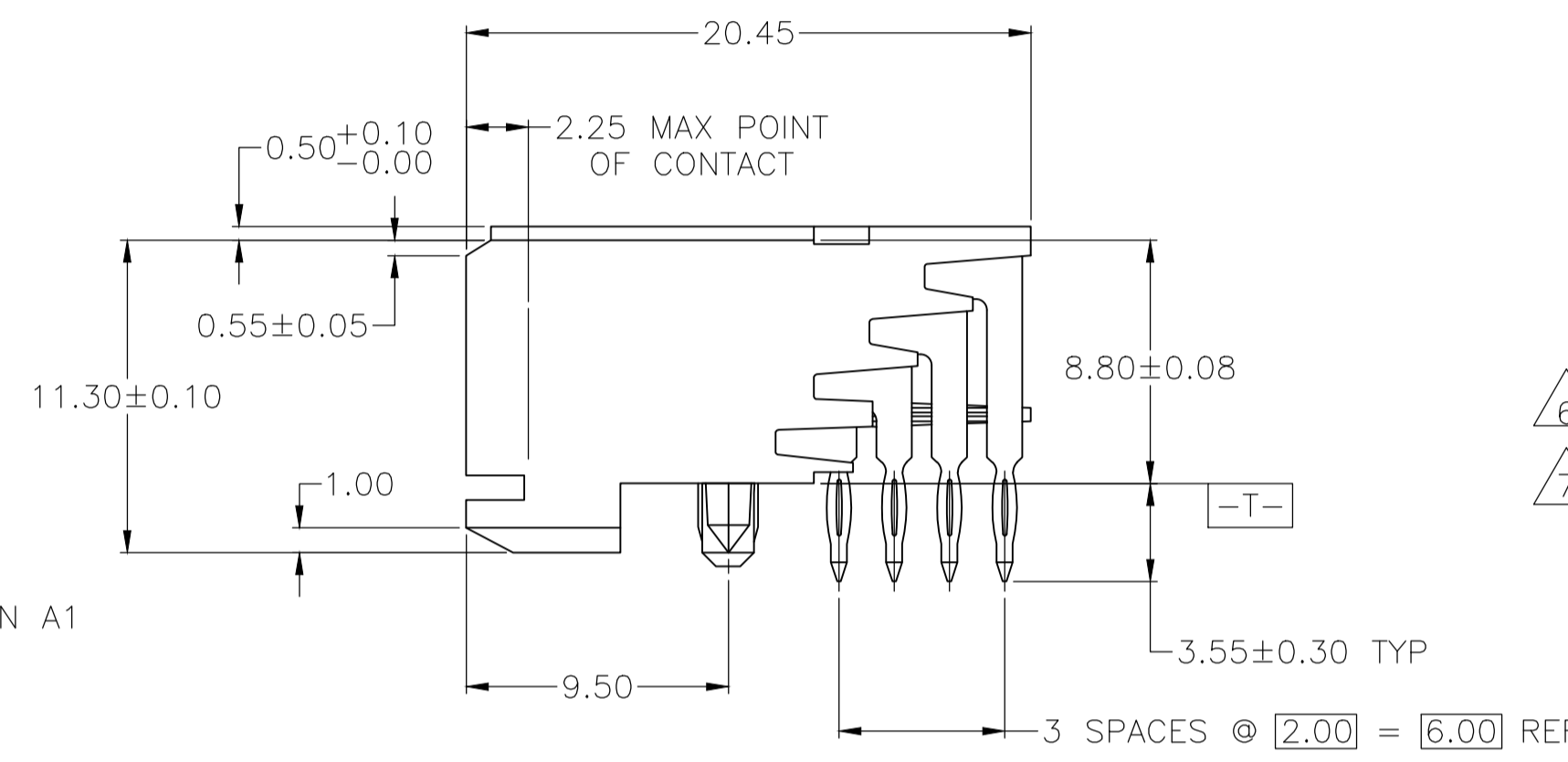
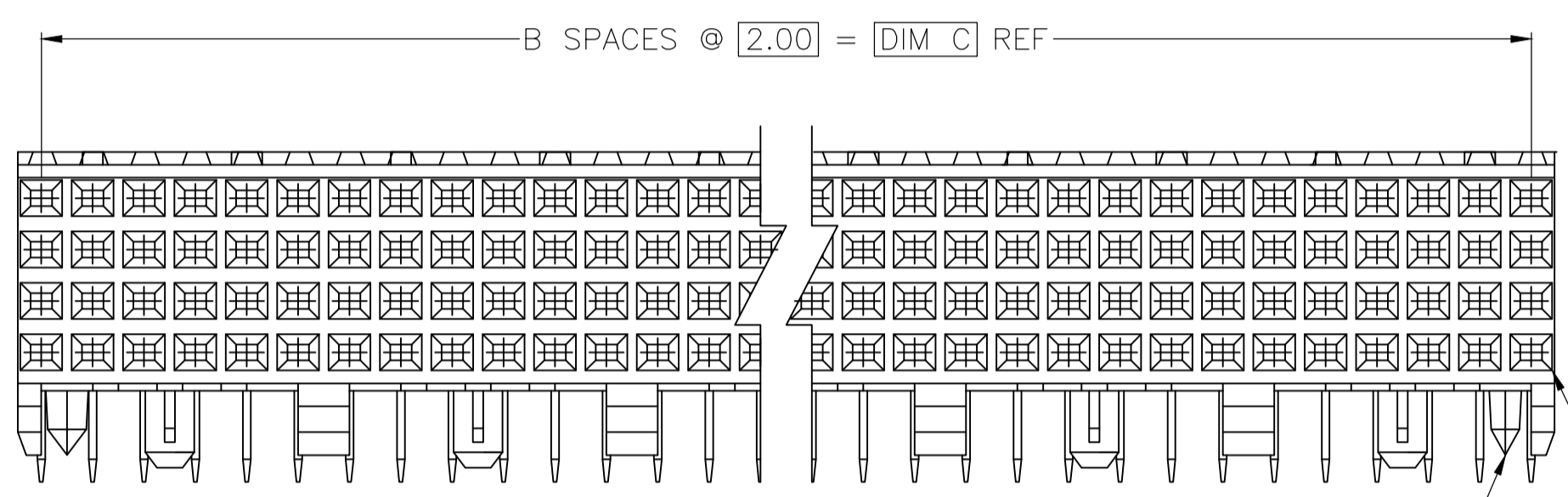
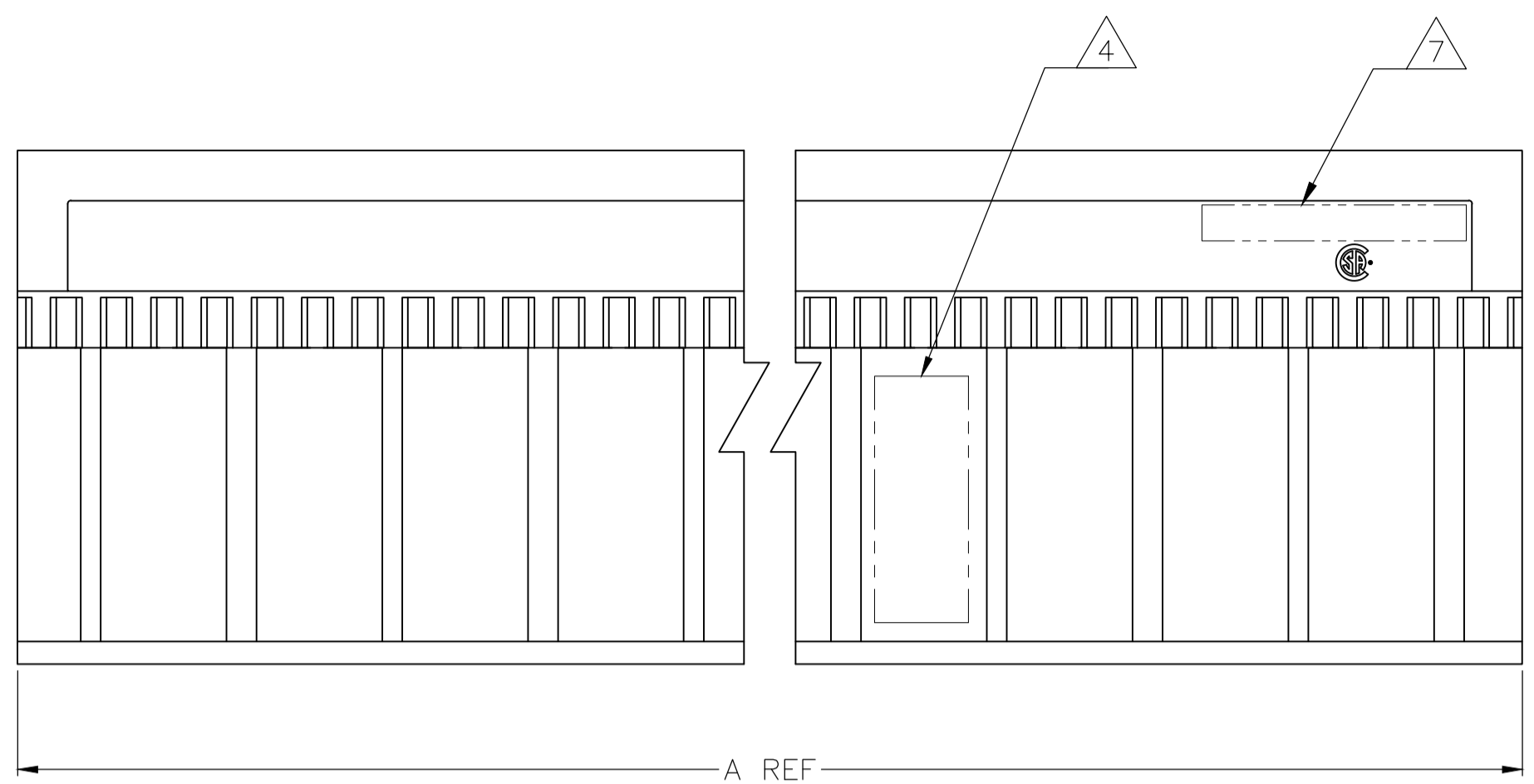
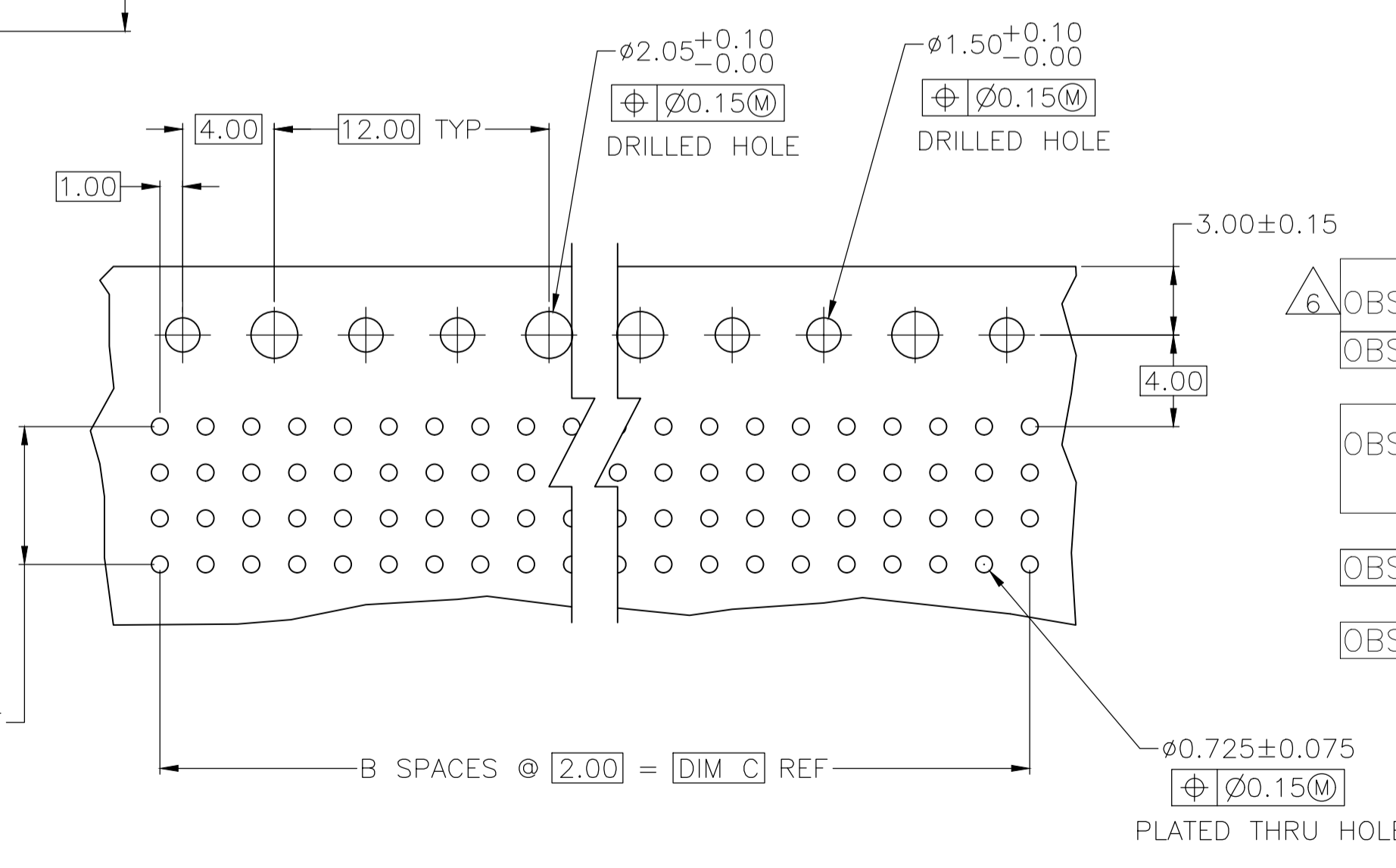


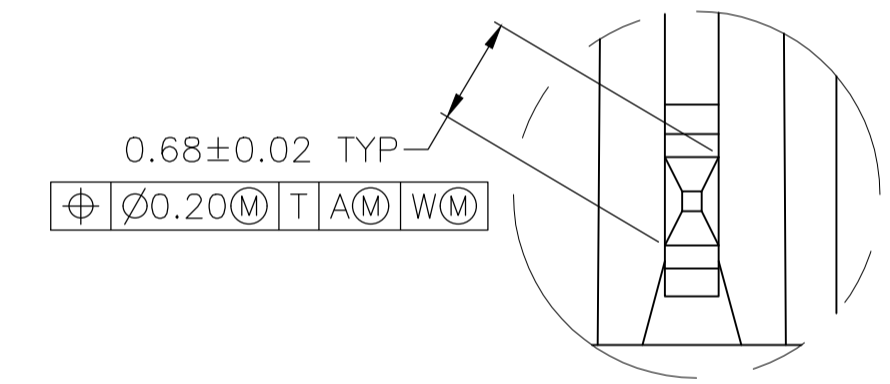
REVISIONS					
P	LTR	DESCRIPTION	DATE	DMN	APVD
F		REVISED PER ECO-20-013368	28SEP2020	RZ	HL



3 SPACES @ 2.00 = 6.00 REF



- △ HOUSING MATERIAL: LIQUID CRYSTAL POLYMER PER ASTM D5138 LCP000 G30A 32250, COLOR: NATURAL.
- △ CONTACT MATERIAL: PHOSPHOR-BRONZE.
- △ CONTACT FINISH:  
 UNDERPLATE (ENTIRE CONTACT) - 0.00127 MIN NICKEL PER SAE-AMS-QQ-N-290.  
 ON MATING SURFACES- CONFORMS TO ALL TESTING SPECIFIED FOR TELCORDIA UNCONTROLLED ENVIRONMENT  
 ON LEADS- 0.0006 MIN TIN PER ASTM B 545, OVER UNDERPLATE  
 LUBRICATION (MIN MATING SURFACES) SURFACE CONDITIONER AFTER PLATING.
- △ PART MARKING, LOCATED APPROXIMATELY AS SHOWN.
- △ CONTACT FINISH:  
 UNDERPLATE (ENTIRE CONTACT) - 0.00127 MIN NICKEL PER SAE-AMS-QQ-N-290.  
 ON MATING SURFACES- 0.00076 MIN NICKEL OR COBALT HARDENED GOLD PER ASTM B-488 OVER UNDERPLATE.  
 ON LEADS- 0.0006 MIN TIN PER ASTM B 545, OVER UNDERPLATE  
 LUBRICATION (MIN MATING SURFACES) SURFACE CONDITIONER AFTER PLATING.
- △ OBSOLETE PARTS: OBSOLETE CIS STREAMLINING PER D.RENAUD/D.SINISI
- △ TE OR TE CONNECTIVITY LOGO IS LOCATED.



DETAIL Z  
SCALE 20:1

OBSOLETE	NO	46	23	47.88	△5	96	<del>3-5536511-3</del>
	NO	22	11	23.88	△5	48	<del>3-5536511-2</del>
OBSOLETE	YES	10	5	11.88	△5	24	<del>3-5536511-1</del>
	NO	34	17	35.88	△3	72	<del>1-5536511-2</del>
OBSOLETE	NO	130	65	131.88	△3	264	<del>1-5536511-1</del>
	NO	106	53	107.88	△3	216	<del>1-5536511-0</del>
OBSOLETE	NO	118	59	119.88	△3	240	<del>5536511-9</del>
	NO	82	41	83.88	△3	168	5536511-8
OBSOLETE	NO	66	33	67.88	△3	136	<del>5536511-7</del>
	NO	58	29	59.88	△3	120	5536511-6
OBSOLETE	NO	70	35	71.88	△3	144	<del>5536511-5</del>
	NO	94	47	95.88	△3	192	5536511-4
OBSOLETE	NO	46	23	47.88	△3	96	5536511-3
	NO	22	11	23.88	△3	48	5536511-2
OBSOLETE	YES	10	5	11.88	△3	24	5536511-1
	NO	46	23	47.88	△3	96	5536511-3
OBSOLETE	NO	22	11	23.88	△3	48	5536511-2
	YES	10	5	11.88	△3	24	5536511-1
POSITIONING PEGS	C	B	A	FINISH	NO OF POSN	PART NUMBER	

RECOMMENDED CIRCUIT PATTERN  
PER IPC-D300 TYPE II, CLASS C  
(COMPONENT SIDE)

THIS DRAWING IS A CONTROLLED DOCUMENT.

DIMENSIONS: mm	TOLERANCES UNLESS OTHERWISE SPECIFIED:	APVD: R. WERTZ	DATE: 31AUG04	DMN: R. WERTZ	DATE: 31AUG04	REV: 1
0 PLC ± -	1 PLC ± -	2 PLC ± .13	3 PLC ± -	4 PLC ± -	ANGLES ± -	
MATERIAL: 1/2	FINISH: 3/5	WEIGHT: 0.000000	SIZE: A1	CAGE CODE: 00779	DRAWING NO: 5536511	RESTRICTED TO: -
CUSTOMER DRAWING			SCALE: 4:1	SHEET: 1 of 1	REV: F	

STE TE Connectivity

RCPT. ASSY, SIGNAL MODULE, Z-PACK 2mm FB  
4 ROW, 3.55mm PRESS FIT LEAD LENGTH

## X-ON Electronics

Largest Supplier of Electrical and Electronic Components

*Click to view similar products for [High Speed/Modular Connectors](#) category:*

*Click to view products by [TE Connectivity](#) manufacturer:*

Other Similar products are found below :

[650827-1](#) [74040-1346](#) [1410191-1](#) [1410368-3](#) [1410964-2](#) [1410326-3](#) [1410367-3](#) [1410971-4](#) [1467833-1](#) [2000877-1](#) [2000878-1](#) [2041314-1](#)  
[2065387-1](#) [2187307-1](#) [163P](#) [1934290-1](#) [2000875-1](#) [2065917-1](#) [2102736-2](#) [FSR-40](#) [2169868-2](#) [22354-8](#) [437-5040-000](#) [5-1393565-0](#) [039-](#)  
[0246-000](#) [0740618502](#) [0761601016](#) [0784461022](#) [10123159-12ELF](#) [030-2415-003/100 PK](#) [030-7380-004](#) [030-2494-001](#) [532939-1](#) [5532901-](#)  
[3](#) [3-1469268-7](#) [74748-102LF](#) [10041743-101LF](#) [10066670-100002LF](#) [1-533915-1](#) [249-4515-000](#) [7-1469373-3](#) [DL2-2J/S](#) [2000713-8](#)  
[2000713-7](#) [10124313-101LF](#) [3011-21](#) [757105208](#) [430305-001](#) [4395800100](#) [8140115](#)