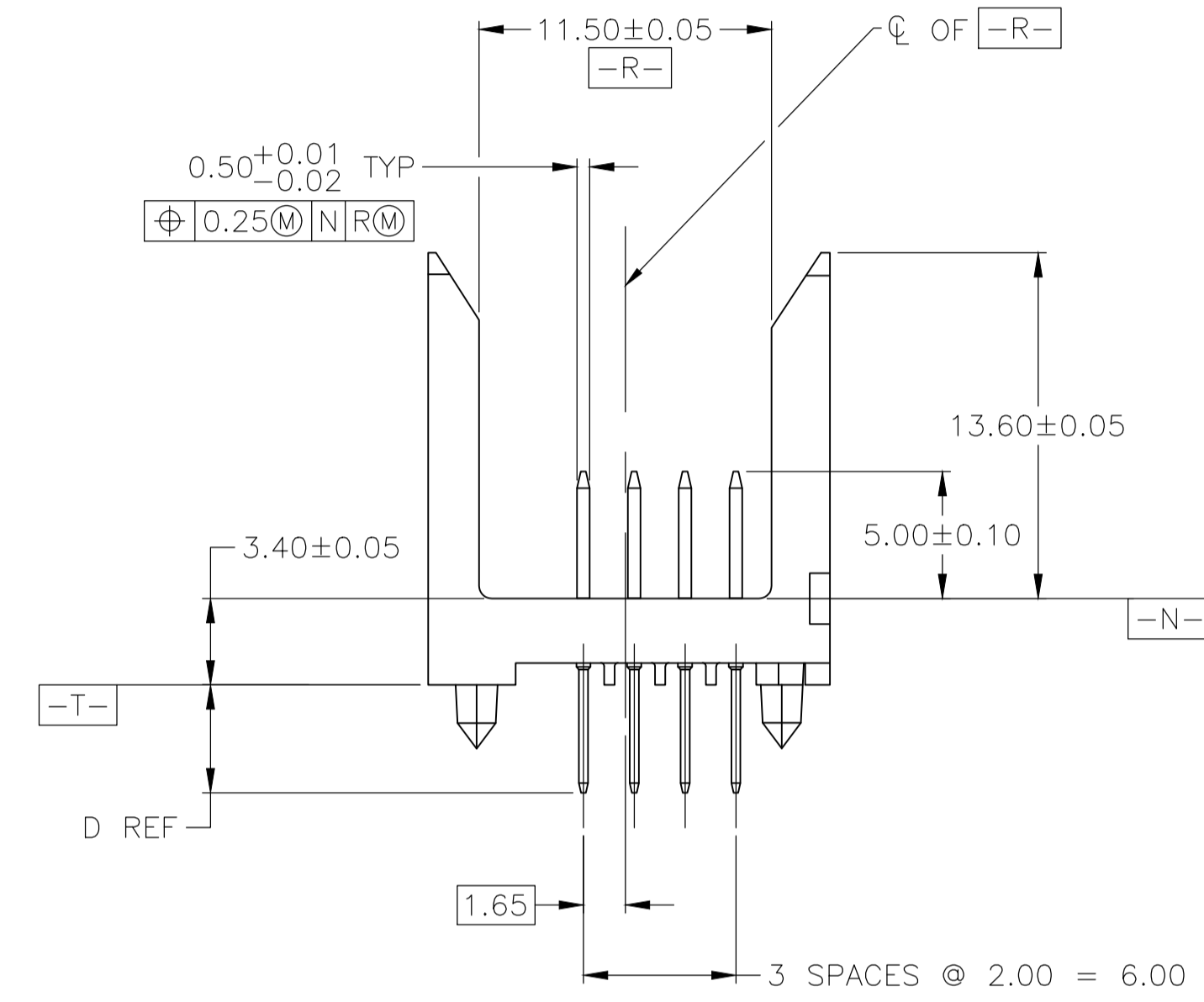
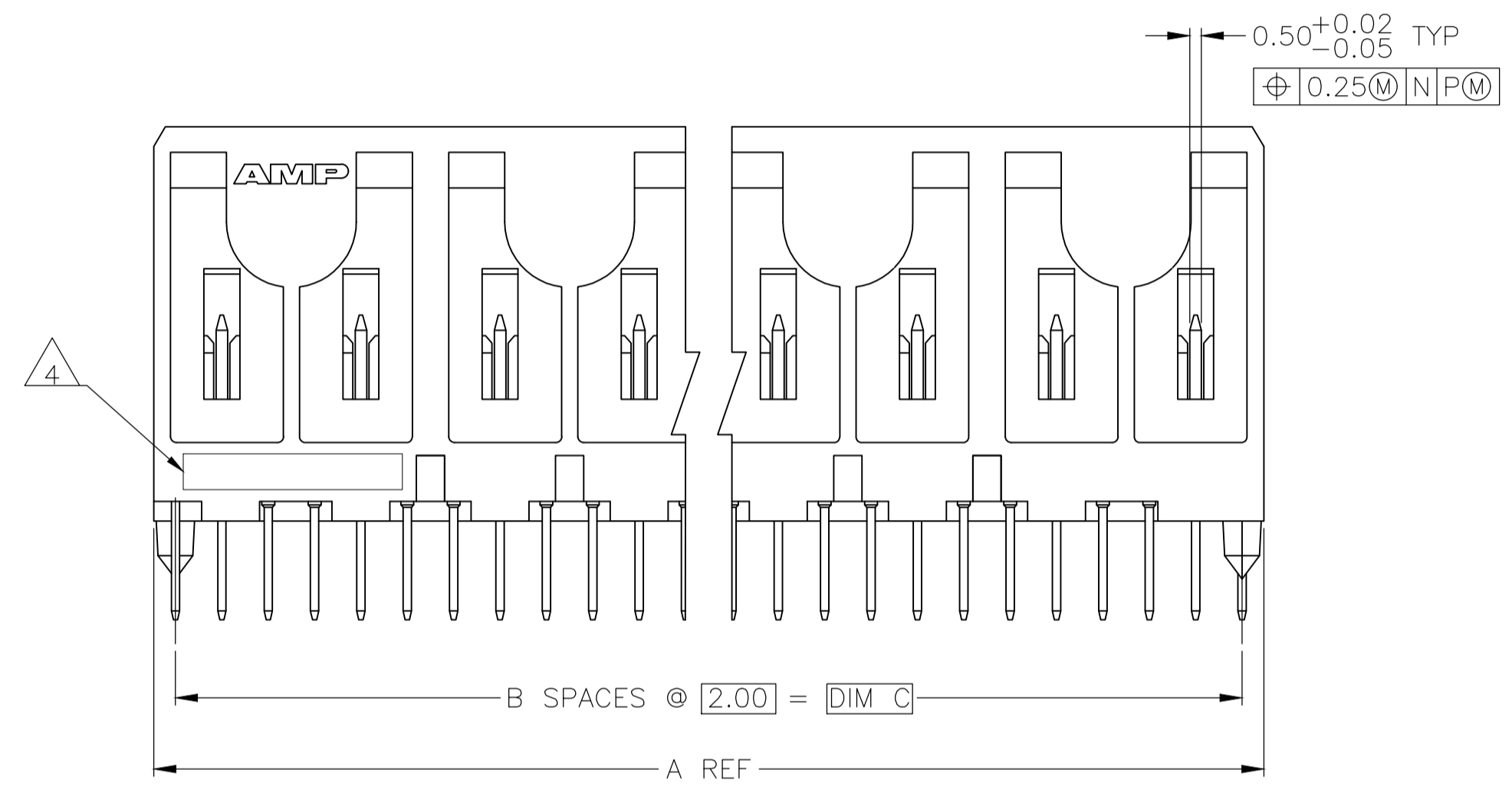
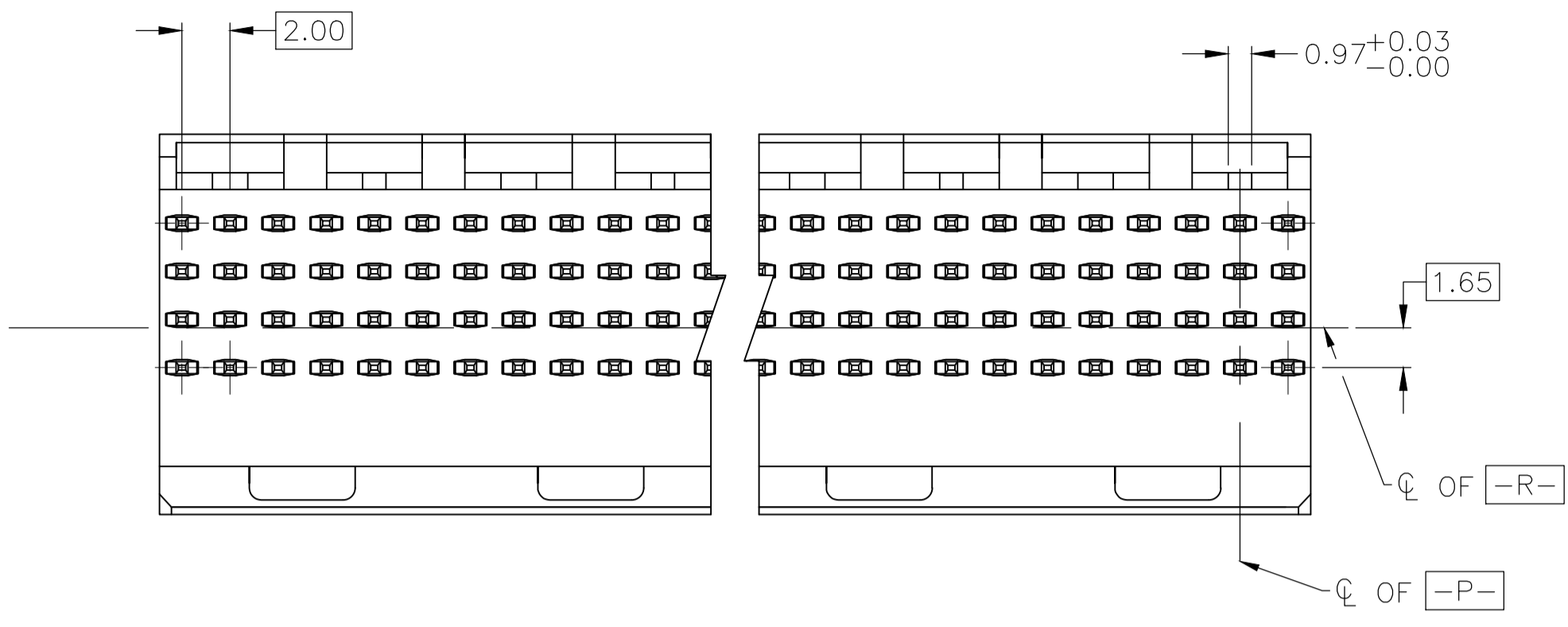
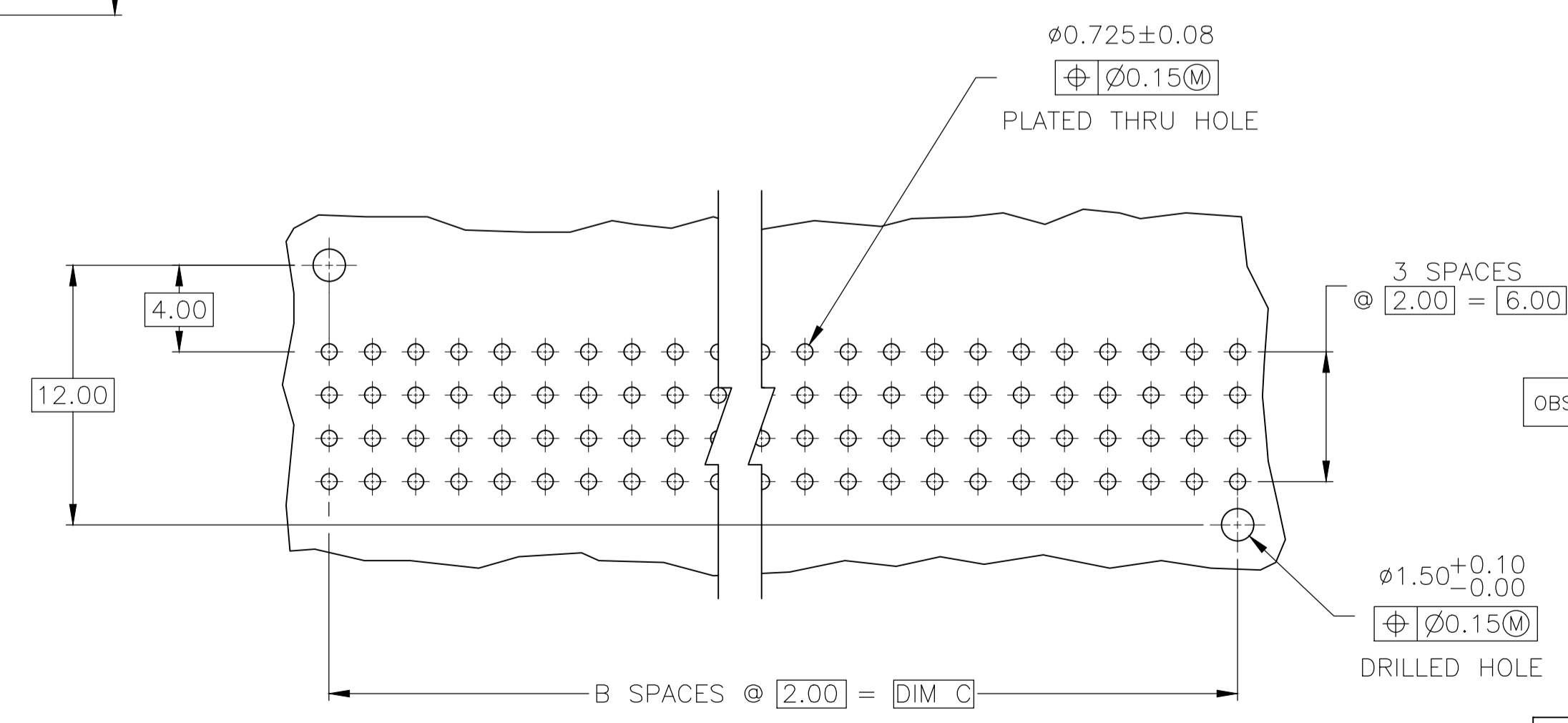
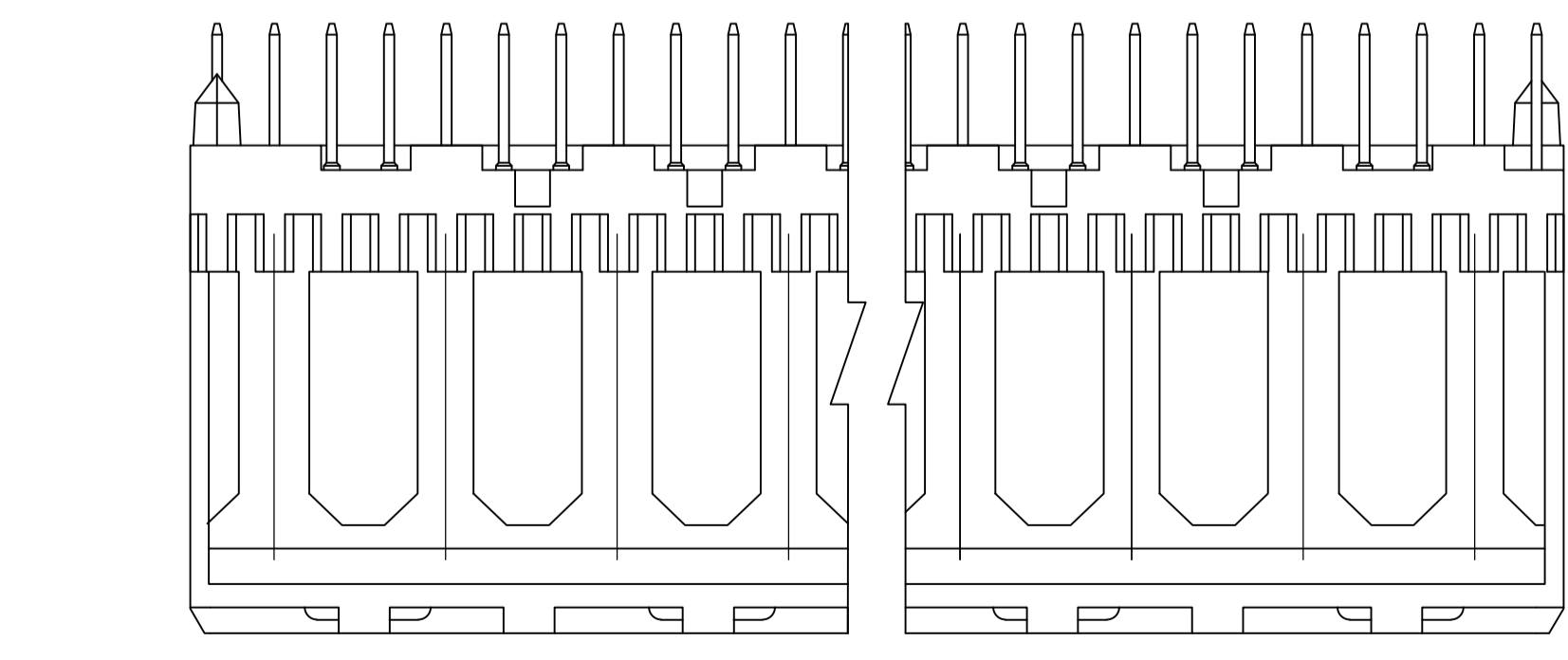
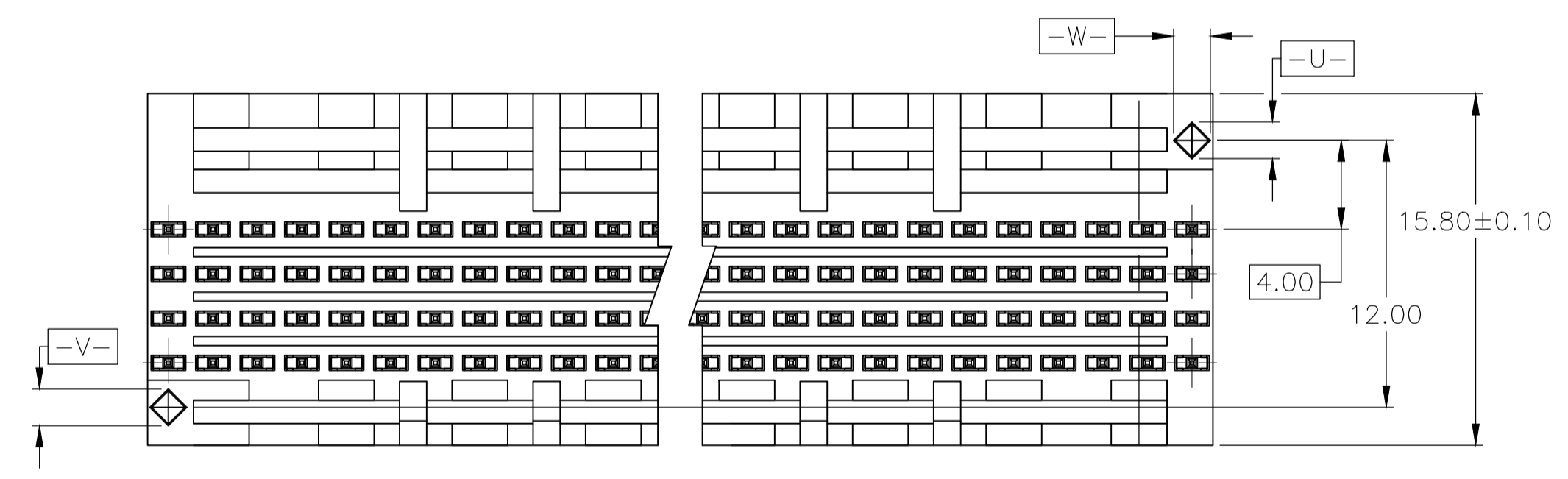
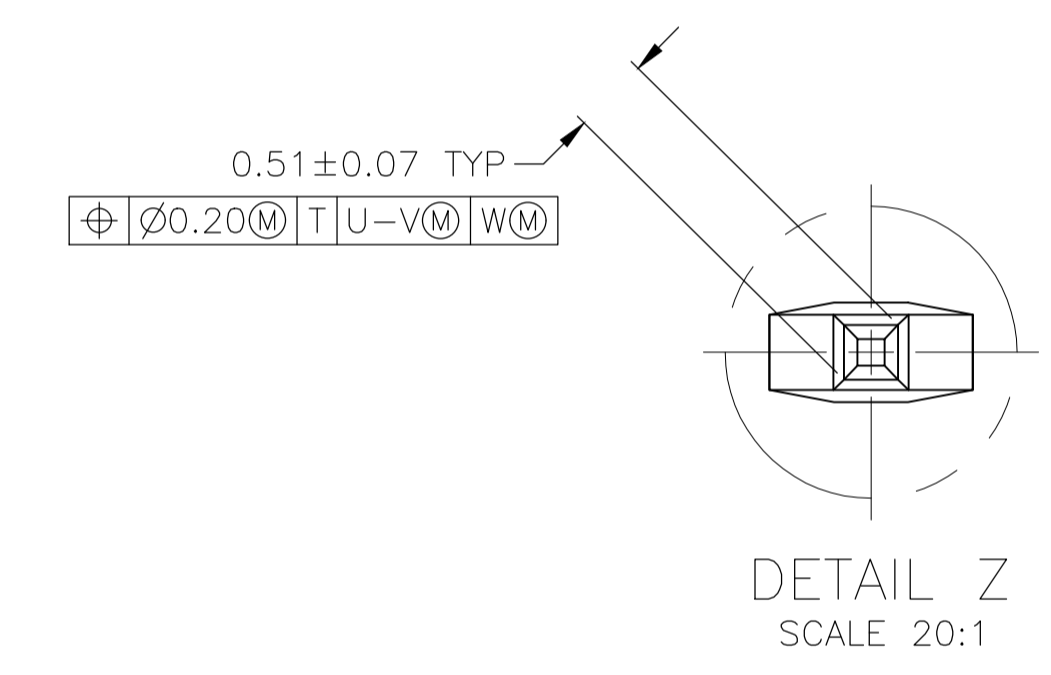


REVISIONS					
P	LTR	DESCRIPTION	DATE	DMN	APVD
A		REVISED PER ECO-20-013368	28SEP2020	RZ	HL



- 1 HOUSING MATERIAL: LIQUID CRYSTAL POLYMER PER ASTM D5138 LCP000 G30A 32250.
- 2 CONTACT MATERIAL: PHOSPHOR BRONZE.
- 3 CONTACT FINISH:  
 UNDERPLATE (ENTIRE CONTACT):  
 0.00127 MIN NICKEL PER SAE-AMS-QQ-N-290.  
 ON MATING SURFACES:  
 CONFORMS TO ALL TESTING SPECIFIED FOR TELCORDIA UNCONTROLLED ENVIRONMENT.  
 ON LEADS:  
 0.00381 MIN TIN PER ASTM B 545 OVER UNDERPLATE.  
 LUBRICATION (MIN MATING SURFACES):  
 SURFACE CONDITIONER AFTER PLATING.
- 4 PART MARKING, LOCATED APPROXIMATELY AS SHOWN.
- 5 CONTACT FINISH:  
 UNDERPLATE (ENTIRE CONTACT):  
 0.00127 MIN NICKEL PER SAE-AMS-QQ-N-290.  
 ON MATING SURFACES:  
 CONFORMS TO ALL TESTING SPECIFIED FOR TELCORDIA UNCONTROLLED ENVIRONMENT.  
 ON LEADS:  
 FLASH GOLD PER ASTM B 488 OVER UNDERPLATE.  
 LUBRICATION (MIN MATING SURFACES):  
 SURFACE CONDITIONER AFTER PLATING.



4.25	70.00	35	71.88	5	144	5536513-9	
4.25	94.00	47	95.88	5	192	5536513-8	
4.25	46.00	23	47.88	5	96	5536513-7	
4.25	22.00	11	23.88	5	48	5536513-6	
OBsolete	4.25	70.00	35	71.88	3	144	5536513-5
	4.25	94.00	47	95.88	3	192	5536513-4
	4.25	46.00	23	47.88	3	96	5536513-3
	4.25	22.00	11	23.88	3	48	5536513-2
	4.25	10.00	5	11.88	3	24	5536513-1
	D	C	B	A	FINISH	NO OF POSN	NUMBER

RECOMMENDED CIRCUIT PATTERN  
 PER IPC-D300 TYPE II, CLASS C  
 (COMPONENT SIDE)

THIS DRAWING IS A CONTROLLED DOCUMENT.

DIMENSIONS:	TOLERANCES UNLESS OTHERWISE SPECIFIED:	DIN B1 MCMMASTER 31AUG04	31AUG04
mm	0 PLC ± -	DR R WERTZ 31AUG04	31AUG04
	1 PLC ± -	DR R WERTZ 31AUG04	31AUG04
	2 PLC ± -0.13	DR R WERTZ 31AUG04	31AUG04
	3 PLC ± -	DR R WERTZ 31AUG04	31AUG04
	4 PLC ± -	DR R WERTZ 31AUG04	31AUG04
	ANGLES ± -	DR R WERTZ 31AUG04	31AUG04

MATERIAL: 1/2 FINISH: 3/5

WEIGHT: 0.000000 A1 00779 C=5536513

CUSTOMER DRAWING SCALE: 4:1 SHEET: 1 OF 1 REV: A

TE Connectivity  
 PIN ASSY SIGNAL MODULE Z-PACK 2mm FB  
 2mm 4R 5.00mm MATING LENGTH  
 SOLDER END

## X-ON Electronics

Largest Supplier of Electrical and Electronic Components

*Click to view similar products for [High Speed/Modular Connectors](#) category:*

*Click to view products by [TE Connectivity](#) manufacturer:*

Other Similar products are found below :

[650827-1](#) [74040-1346](#) [1410191-1](#) [1410368-3](#) [1410964-2](#) [1410326-3](#) [1410367-3](#) [1410971-4](#) [1467833-1](#) [2000877-1](#) [2000878-1](#) [2041314-1](#)  
[2065387-1](#) [2187307-1](#) [163P](#) [1934290-1](#) [2000875-1](#) [2065917-1](#) [2102736-2](#) [FSR-40](#) [2169868-2](#) [22354-8](#) [437-5040-000](#) [5-1393565-0](#) [039-](#)  
[0246-000](#) [0740618502](#) [0761601016](#) [0784461022](#) [10123159-12ELF](#) [030-2415-003/100 PK](#) [030-7380-004](#) [030-2494-001](#) [532939-1](#) [5532901-](#)  
[3](#) [3-1469268-7](#) [74748-102LF](#) [10041743-101LF](#) [10066670-100002LF](#) [1-533915-1](#) [249-4515-000](#) [7-1469373-3](#) [DL2-2J/S](#) [2000713-8](#)  
[2000713-7](#) [10124313-101LF](#) [3011-21](#) [757105208](#) [430305-001](#) [4395800100](#) [8140115](#)