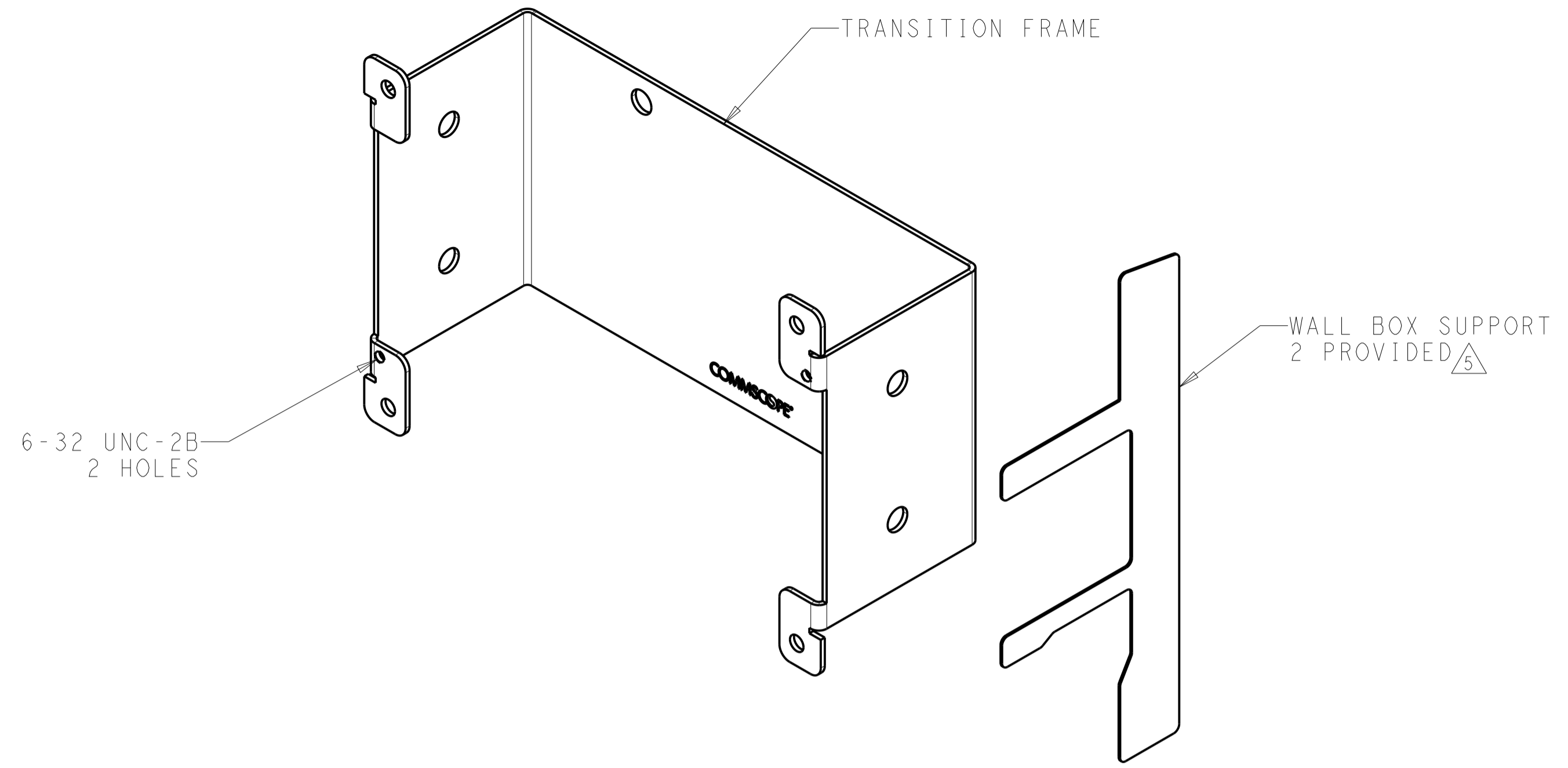
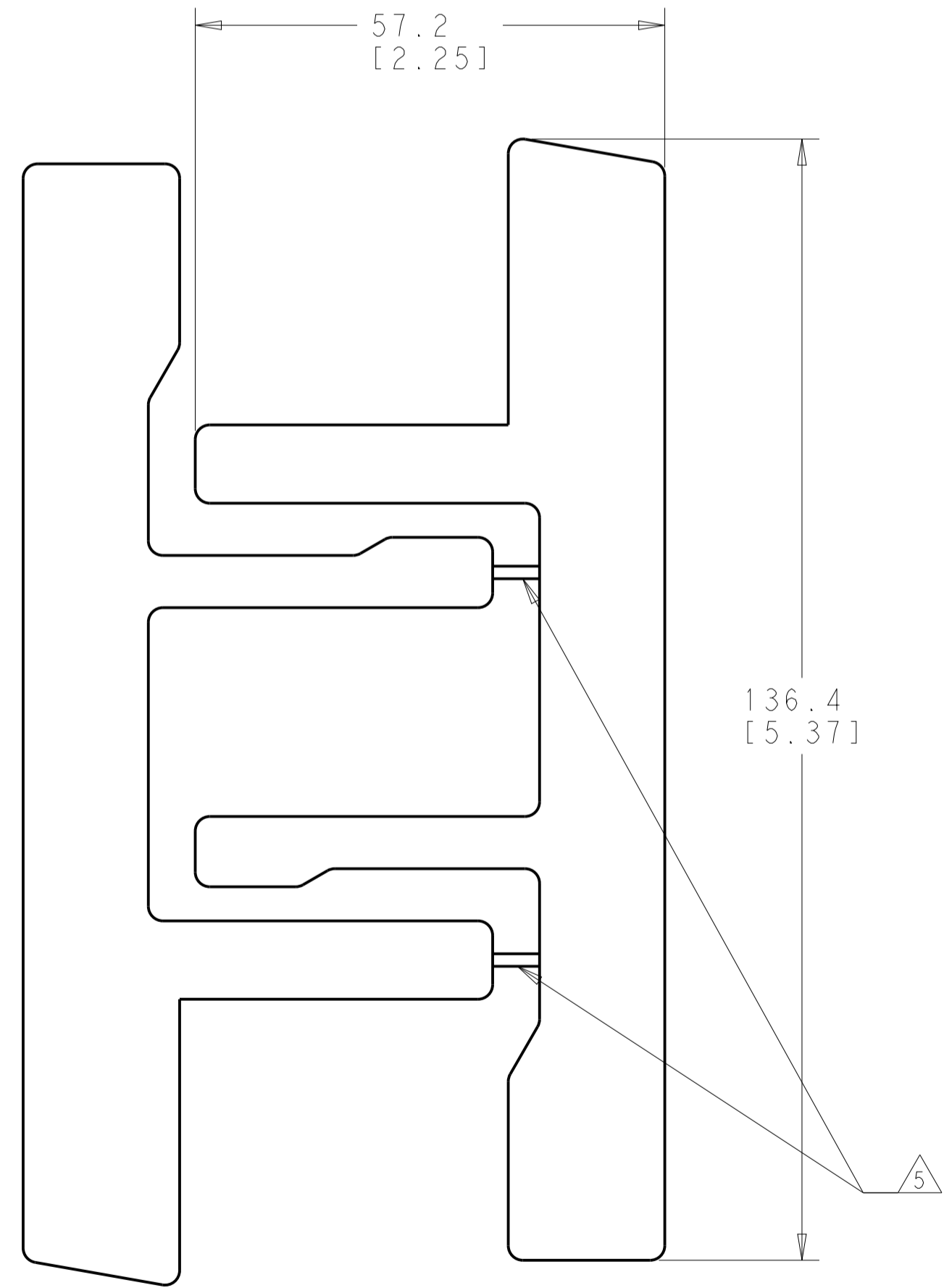
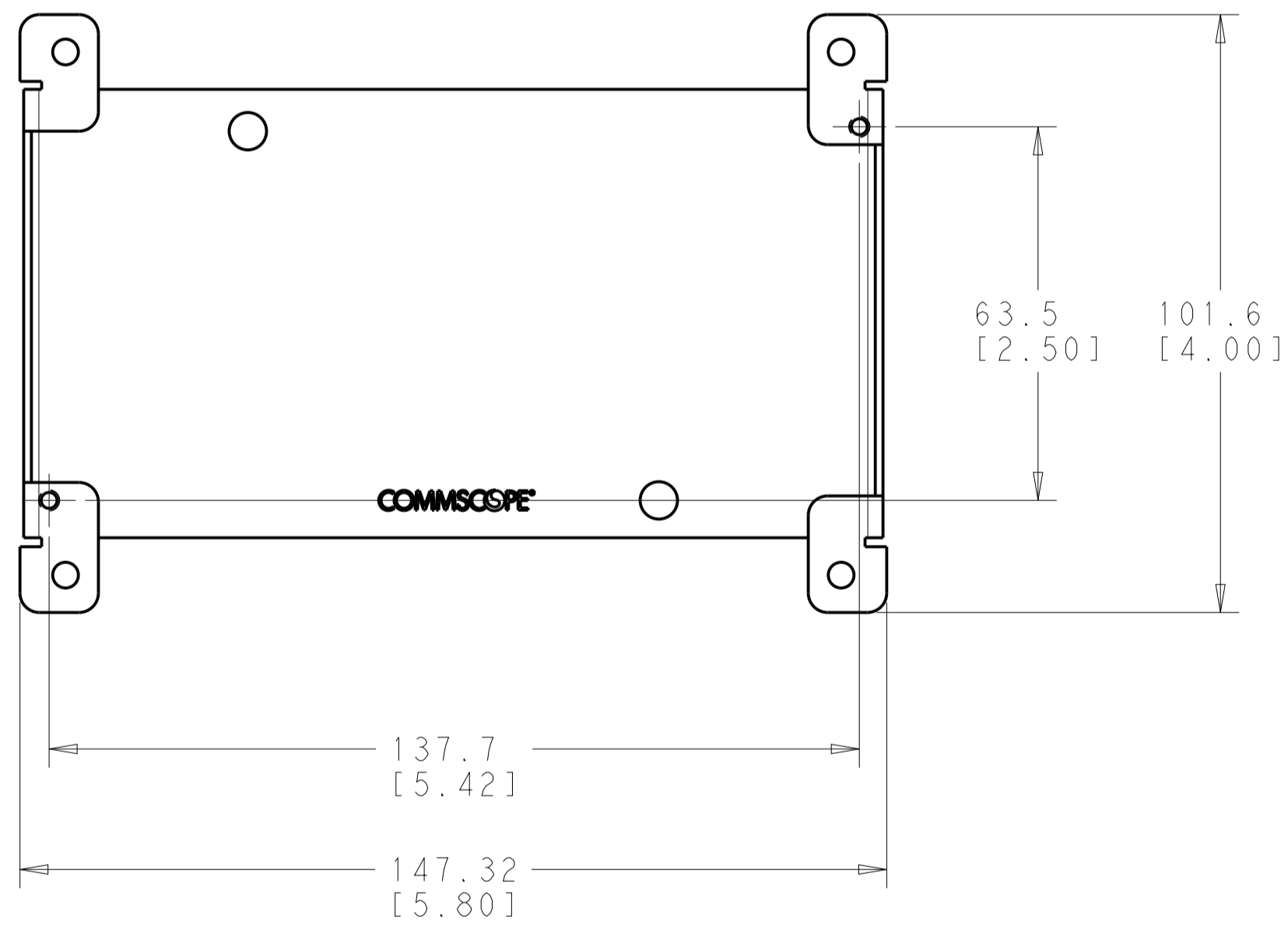


REVISIONS				
REV	LTN	DESCRIPTION	DATE	APPROV
E	ECO-13-017092		31OCT2013	JM MS
F	REV_BNS_CD_BRAND		10FEB2017	GG DC



1. ALL DIMENSIONS SHOWN ARE FOR REFERENCE ONLY UNLESS OTHERWISE SPECIFIED.
 2. MATERIAL: FRAME AND SUPPORT - GALVANIZED CARBON STEEL.
 3. THIS KIT SHIPPED UNASSEMBLED.
 4. APPLICATION: UNDERCARPET COMMUNICATIONS CABLING SYSTEM. USE WITH FLUSH MOUNT WALL FRAME COVER 553095 (AVAILABLE SEPARATELY). ACCEPTS ONE COMMUNICATIONS TRANSITION BLOCK. REFER TO INSTRUCTION SHEET 408-3107 FOR ADDITIONAL INSTALLATION INFORMATION.
5. WALL BOX SUPPORTS MAY BE SUPPLIED AS DOUBLE STAMPING WITH BREAK-AWAY TABS.



553739-2
PART NUMBER

THIS DRAWING IS A CONTROLLED DOCUMENT.		DWN G. GARRETT 25JAN2010	COMMSCOPE, INC.	
DIMENSIONS: mm [INCHES]		CHK S. JONES 25JAN2010	KIT, WALL FRAME, FLUSH, COMMUNICATIONS, UC	
TOLERANCES UNLESS OTHERWISE SPECIFIED:		APVD S. JONES 25JAN2010	RESTRICTED TO	
0 PLC ±	1 PLC ±	PRODUCT SPEC	SIZE A1	CAGE CODE 553739
2 PLC ±	3 PLC ±	APPLICATION SPEC	SCALE 1:1	SHEET 1 OF 1
4 PLC ±	ANGLES ±	WEIGHT	CUSTOMER DRAWING	REV F

X-ON Electronics

Largest Supplier of Electrical and Electronic Components

Click to view similar products for [Wire Ducting & Raceways](#) category:

Click to view products by [TE Connectivity](#) manufacturer:

Other Similar products are found below :

[800A-LB](#) [801I-LSP](#) [802A-ECSP](#) [802I-ICSP](#) [923223-000](#) [PRAF6WH-X](#) [A0405538](#) [1301150342](#) [1301160034](#) [1301170070](#) [1301180011](#)
[1301230083](#) [1301230153](#) [1301240273](#) [1301250006](#) [1302261238](#) [1302261321](#) [1302262552](#) [1302263103](#) [1302263178](#) [1302263259](#)
[1302263816](#) [1302263860](#) [1302264375](#) [1302264390](#) [1301150343](#) [1301160030](#) [1301170050](#) [1301170051](#) [1301170061](#) [1301180013](#)
[1301230086](#) [1301230130](#) [1301240054](#) [1302260055](#) [1302260376](#) [1302261343](#) [1302261344](#) [1302262674](#) [1302263095](#) [1302263166](#)
[1302263209](#) [1302263513](#) [1302263851](#) [1302263870](#) [1302264137](#) [1302264218](#) [DD1/J](#) [AX102007](#) [AX102261](#)