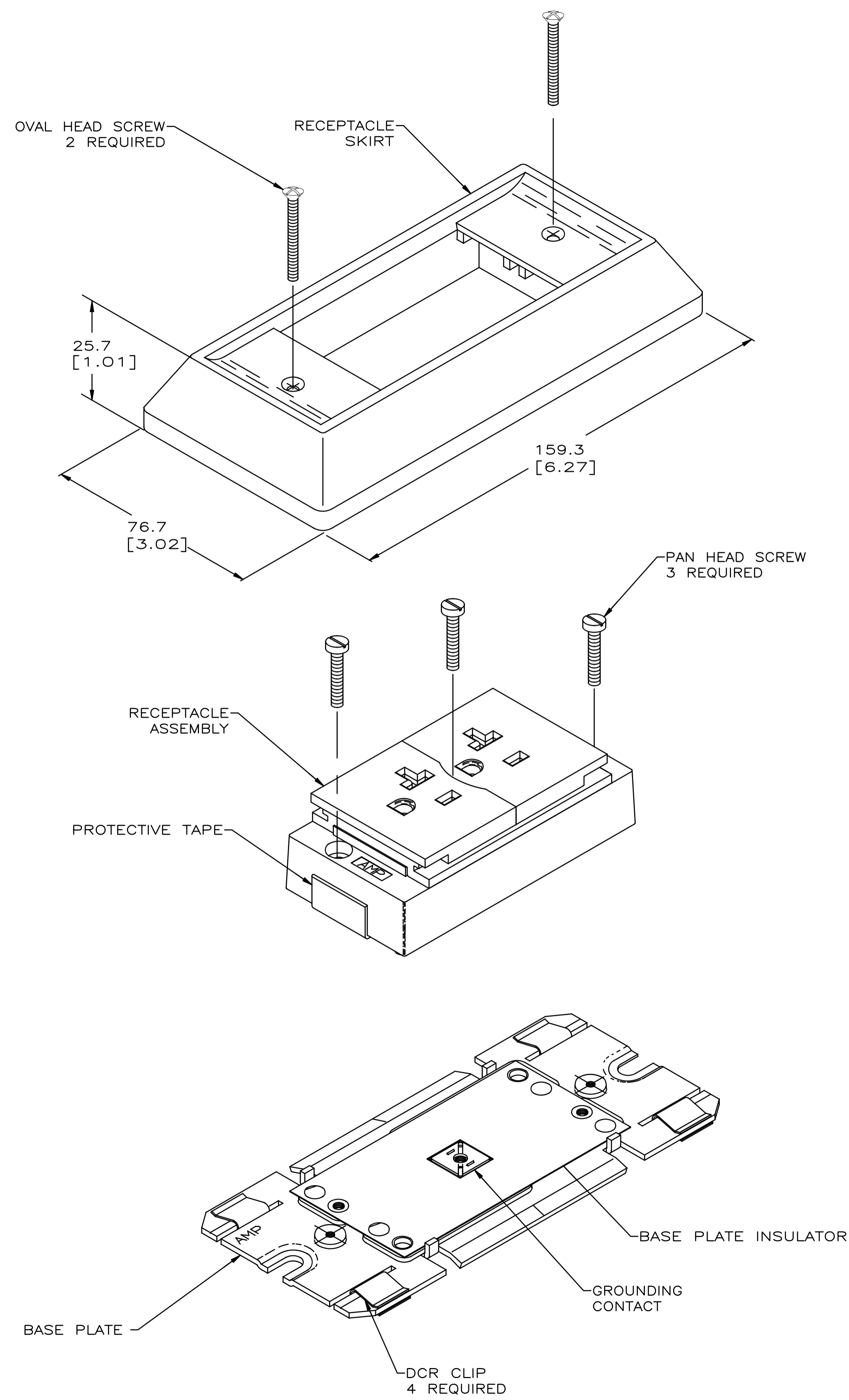


| LOC |     | DIST                 |           | REVISIONS |      |  |  |
|-----|-----|----------------------|-----------|-----------|------|--|--|
| P   | LTR | DESCRIPTION          | DATE      | DWN       | APVD |  |  |
| G1  |     | REV: MCO-40026404MCO | 19NOV2015 | HG        | H    |  |  |
| H   |     | REV PER BNS_CD_BRAND | 16JAN2017 | GG        | DC   |  |  |



⚠ ALL DIMENSIONS SHOWN ARE MAXIMUM UNLESS OTHERWISE SPECIFIED.

2. HARDWARE SHIPPED NOT ASSEMBLED.

⚠ MATERIAL: SKIRT - ABS MOLDING COMPOUND.  
 RECEPTACLE ASSEMBLY - SLIDING COVER, POLYCARBONATE MOLDING COMPOUND;  
 BASE, PBT MOLDING COMPOUND.  
 BASE PLATE - PREGALVANIZED STEEL.  
 BASE PLATE INSULATOR - VULCANIZED FIBRE.  
 HARDWARE - ZINC PLATED STEEL.  
 DCR CLIP - STAINLESS STEEL.  
 TERMINALS AND GROUNDING CONTACT - COPPER ALLOY.

|                  |          |
|------------------|----------|
| BLACK            | 553947-1 |
| RECEPTACLE COLOR | PART NO. |

**COMMSCOPE, INC.**

DIRECT CONNECTING RECEPTACLE,  
 3 CONDUCTOR, DUPLEX, 15/20A

|  |     |                             |  |  |
|--|-----|-----------------------------|--|--|
| THIS DRAWING IS A CONTROLLED DOCUMENT. |     | DWN: G. GARRETT 18MAR97     |  |  |
| DIMENSIONS: mm [INCHES]                |     | CHK: G. GARRETT 18MAR97     |  |  |
| TOLERANCES UNLESS OTHERWISE SPECIFIED: |     | APVD: J. KILPATRICK 18MAR97 |  |  |
| 0 PLC                                  | ± - | NAME                        |  |  |
| 1 PLC                                  | ± - | PRODUCT SPEC                |  |  |
| 2 PLC                                  | ± - | APPLICATION SPEC            |  |  |
| 3 PLC                                  | ± - | 114-6008                    |  |  |
| 4 PLC                                  | ± - | SIZE                        |  |  |
| ANGLES                                 | ± - | CAGE CODE                   |  |  |
| FINISH                                 | ± - | DRAWING NO                  |  |  |
| MATERIAL                               | 3   | 114-6008                    |  |  |
|  | 3   | WEIGHT                      |  |  |
|  |     | A1                          |  |  |
|  |     | C=553947                    |  |  |
|  |     | CUSTOMER DRAWING            |  |  |
|  |     | SCALE 1:1                   |  |  |
|  |     | SHEET 1 OF 1                |  |  |
|  |     | REV H                       |  |  |

## X-ON Electronics

Largest Supplier of Electrical and Electronic Components

*Click to view similar products for [AC Power Plugs & Receptacles](#) category:*

*Click to view products by [TE Connectivity](#) manufacturer:*

Other Similar products are found below :

[739W-X2/03-BACK1](#) [85447L](#) [1301460003](#) [1301520016](#) [1301520008](#) [14W07](#) [15W07](#) [22806](#) [26W47](#) [929662-1](#) [27W75](#) [27W81](#) [962160-1](#)  
[29W08MB](#) [29W82](#) [26W](#) [26W76BLK](#) [27W47](#) [27W48](#) [28W](#) [28W81](#) [29W47MB](#) [HDR-E14FG1+](#) [30-9717-25](#) [43305](#) [85266](#) [5262DW](#) [22801](#)  
[22804](#) [25W47](#) [701W-15/06](#) [701W-20/27](#) [27T76](#) [739W-20/XX](#) [1301860536](#) [1301520018](#) [1301520021](#) [1301520020](#) [8210GY](#) [29W48](#) [3011-](#)  
[06](#) [A52S22A](#) [739W-X2/XX3](#) [26T49](#) [2707](#) [26W47-W](#) [1301450073](#) [RECWALLBOXBA](#) [1301490033](#) [30-1511](#)