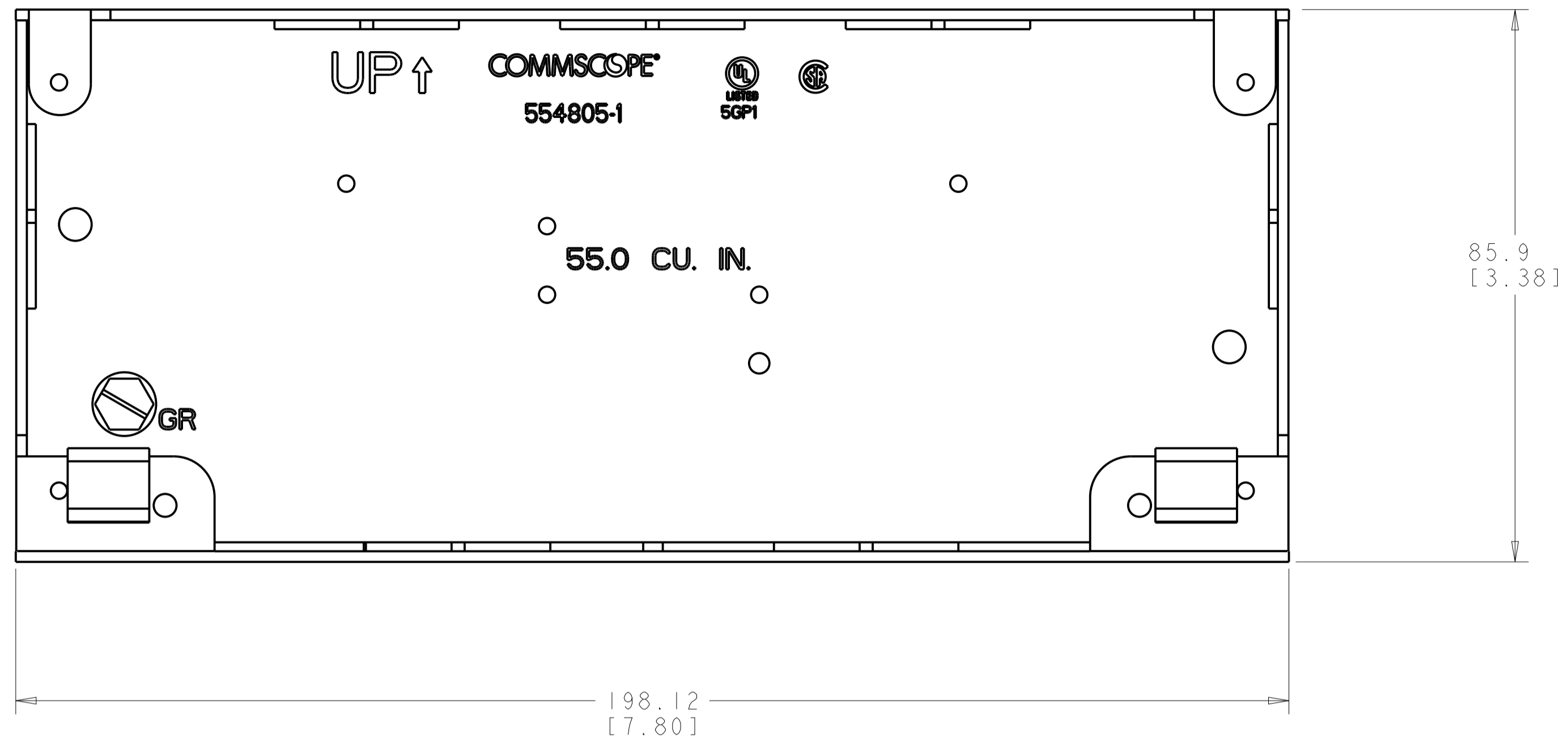
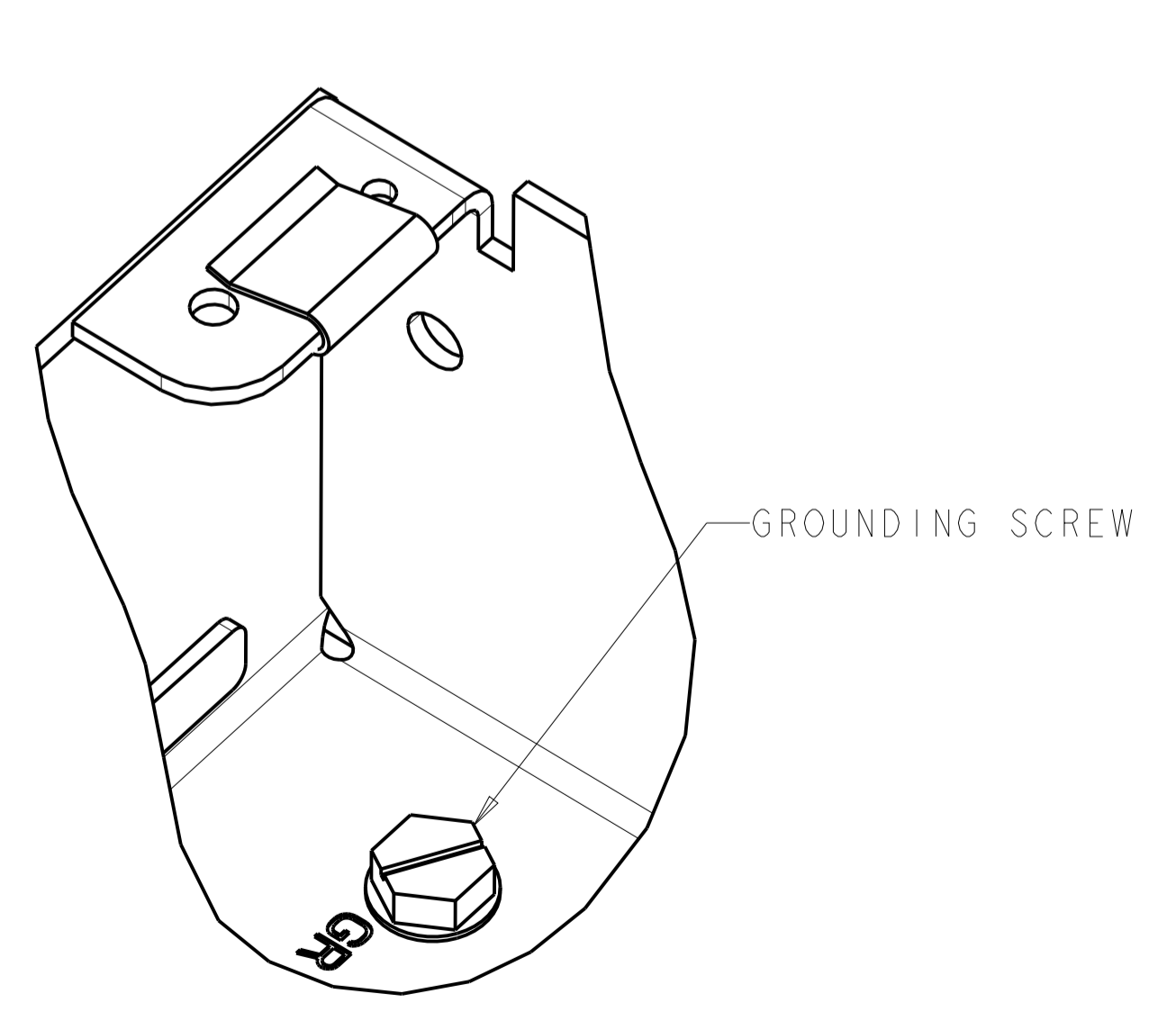
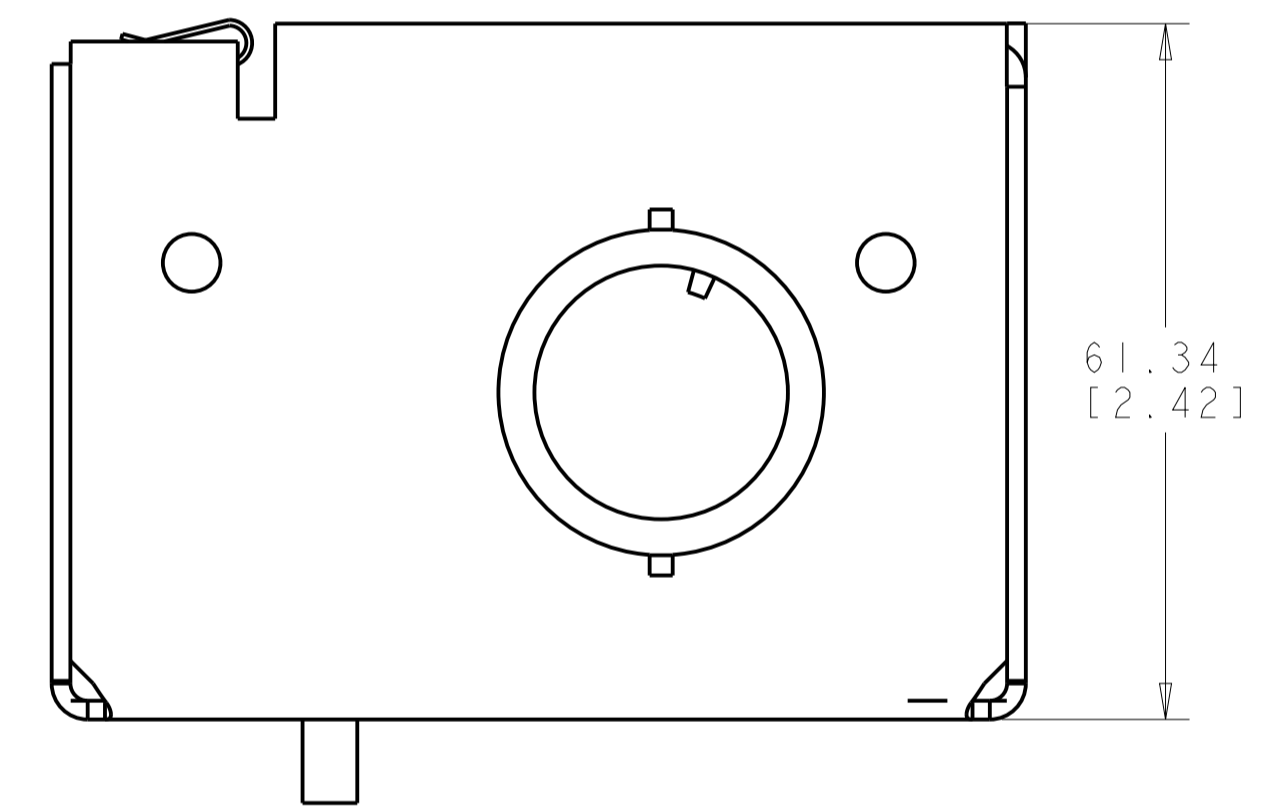
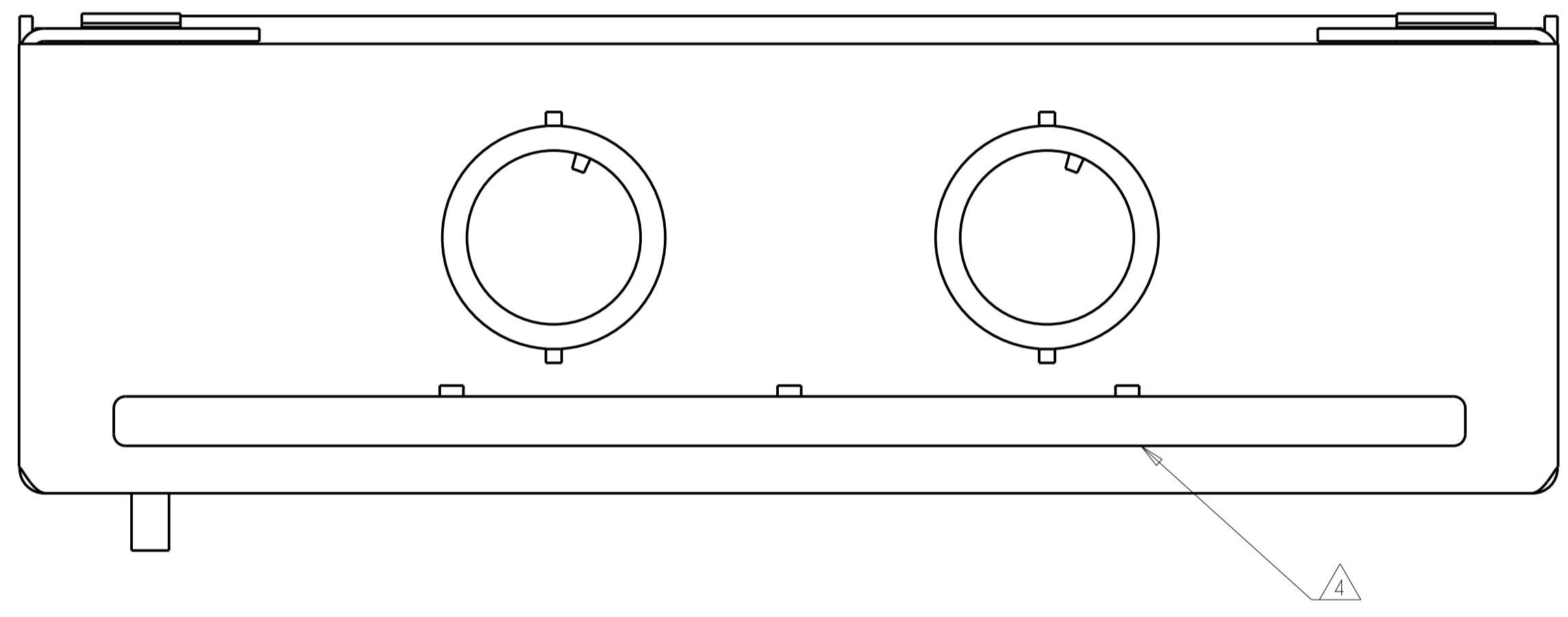


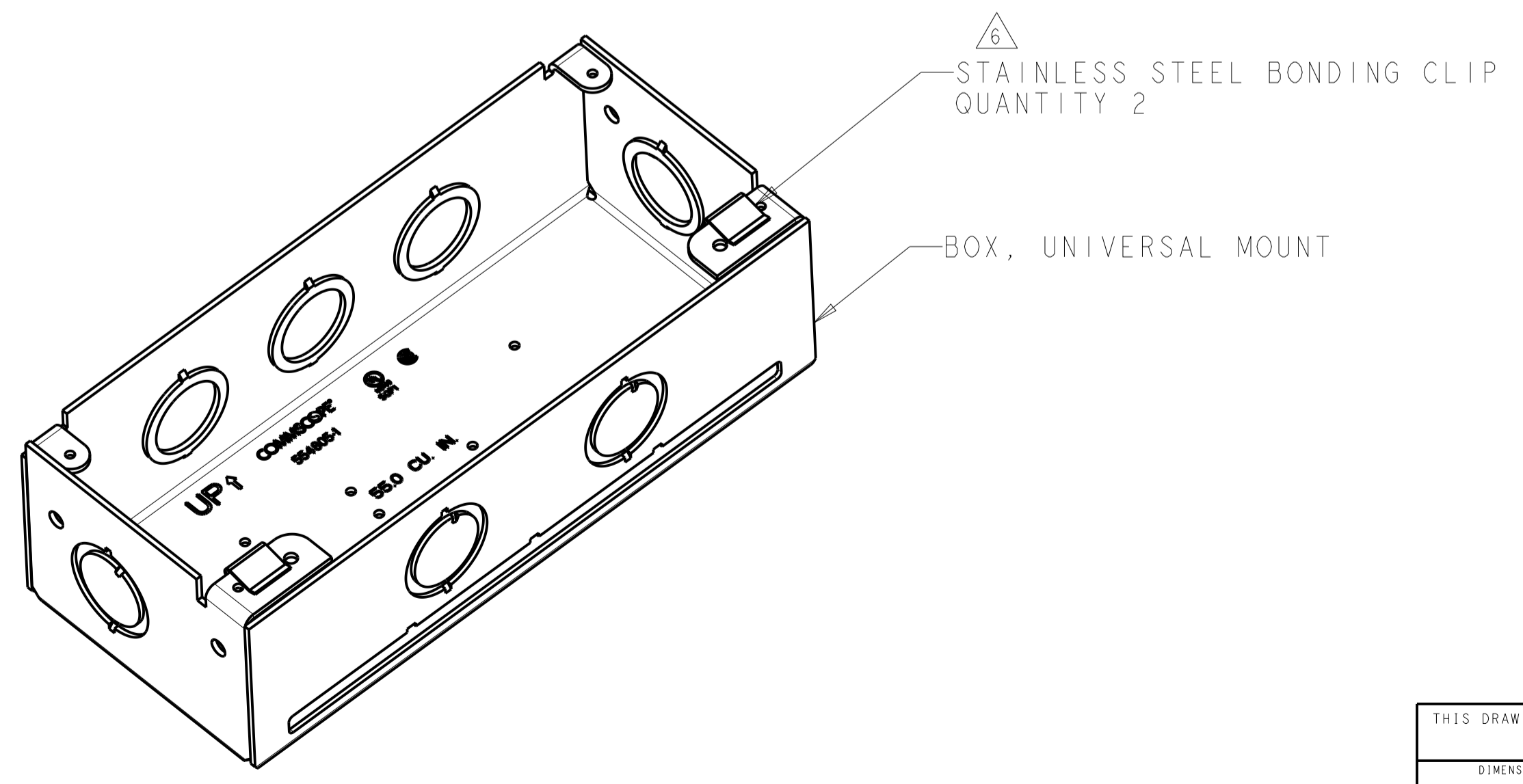
| REVISIONS | | | | |
|-----------|-----------|------------------------|----|------|
| REV | DATE | DESCRIPTION | BY | APPV |
| D | 16MAR2010 | REV; ECO-10-005640 | GG | SJ |
| E | 18JAN2017 | REV PER ECN 8000018168 | GG | SA |



1. ALL DIMENSIONS NOMINAL UNLESS OTHERWISE SPECIFIED.
2. MATERIAL: BOX - GALVANIZED CARBON STEEL.
GROUNDING SCREW - ZINC-PLATED CARBON STEEL.
CLIPS - STAINLESS STEEL.
3. BOX CONTAINS (7) 1/2" - 3/4" CONCENTRIC KNOCKOUTS FOR 1/2" AND 3/4" TRADE SIZE CONDUIT AND CONDUIT CONNECTORS.
4. BOX CONTAINS (1) .25 WIDE X 6.85 LONG KNOCKOUT FOR UNDERCARPET CABLE.
5. APPLICATION: USE WITH UNDERCARPET CABLING SYSTEM TO TRANSITION BETWEEN ROUND AND FLAT WIRING. BOX ACCEPTS ONE OF THE FOLLOWING (NOT INCLUDED):
 - POWER TRANSITION BLOCK 554862-1
 - CATEGORY 5E TRANSITION BLOCK 1479384-1
 - CATEGORY 6 TRANSITION BLOCK 1479985-1
6. USE STAINLESS STEEL BONDING CLIPS TO ATTACH TOP SHIELD 553536 TO BOX FOR POWER CABLING APPLICATIONS.



GROUNDING SCREW INSTALLATION



554805-1
PART NUMBER

| | | | | |
|--|-----------|---------------------------|-------------------------------|--|
| THIS DRAWING IS A CONTROLLED DOCUMENT. | | OWN: J MCNEAL 16DEC2004 | COMMSCOPE, INC. | |
| DIMENSIONS: mm [INCHES] | | CHK: L SMITH 16DEC2004 | WALL BOX, FLUSH MOUNT, UC | |
| TOLERANCES UNLESS OTHERWISE SPECIFIED: | | APPV: F LINCOLN 16DEC2004 | NAME | |
| 0 PLC ± | 1 PLC ± | PRODUCT SPEC | SIZE: A1 | |
| 2 PLC ± | 3 PLC ± | APPLICATION SPEC | CAGE CODE: 554805 | |
| 4 PLC ± | ANGLES ± | 408-10412 | RESTRICTED TO | |
| MATERIAL: | FINISH: - | WEIGHT: - | SCALE: 1:1 SHEET 1 OF 1 REV E | |
| CUSTOMER DRAWING | | | | |

X-ON Electronics

Largest Supplier of Electrical and Electronic Components

Click to view similar products for [Modular Connectors / Ethernet Connectors](#) category:

Click to view products by [TE Connectivity](#) manufacturer:

Other Similar products are found below :

[8949-H88/06BLKA/SN](#) [74441-0010/BKN](#) [MP1010RX-1000](#) [MP44RX-1000](#) [PHJ-4P4C-1-V-4](#) [PHP-6P6C-5](#) [GAX-3-66](#) [GAX-8-62](#) [GDCX-PA-66-50](#) [GDCX-PN-64](#) [GDCX-PN-66](#) [GDCX-PN-66-50](#) [GDLX-A-66](#) [GDLX-N-66](#) [GDLX-S-66](#) [GDLX-S-88K](#) [GDTX-S-88-50](#) [GDX-PA-1010](#) [GLX-N-1010M-BLK](#) [GLX-S-88M-BLK](#) [GMX-N-1010](#) [GMX-S-1010](#) [GMX-S-66](#) [GMX-SMT4-N-88](#) [GPX-2-64](#) [GSGX-N-2-88](#) [GSGX-N-4-88](#) [GSX-NS2-88-3.05](#) [GSX-NS2-88-3.05-50](#) [GSX-NS-88-3.05-50](#) [PT-108A-8C-UL](#) [PT-J951-8C](#) [PTS-J531-8CS-50UL](#) [1-1775629-2](#) [A-2014-0-4](#) [GWLX-S-88-GR](#) [GWLX-S9-88-YG](#) [DC-1021-8-WH-6](#) [1300530003](#) [1324640-4](#) [RJ11FTVC2G](#) [RJ11FTVC2N](#) [RJFTVX2SA1G](#) [132764-001](#) [1413235](#) [MP88X-1000](#) [MPS88RX-5000](#) [E5288-S000K3-L](#) [E5908-15A242-L](#) [155302-001](#)