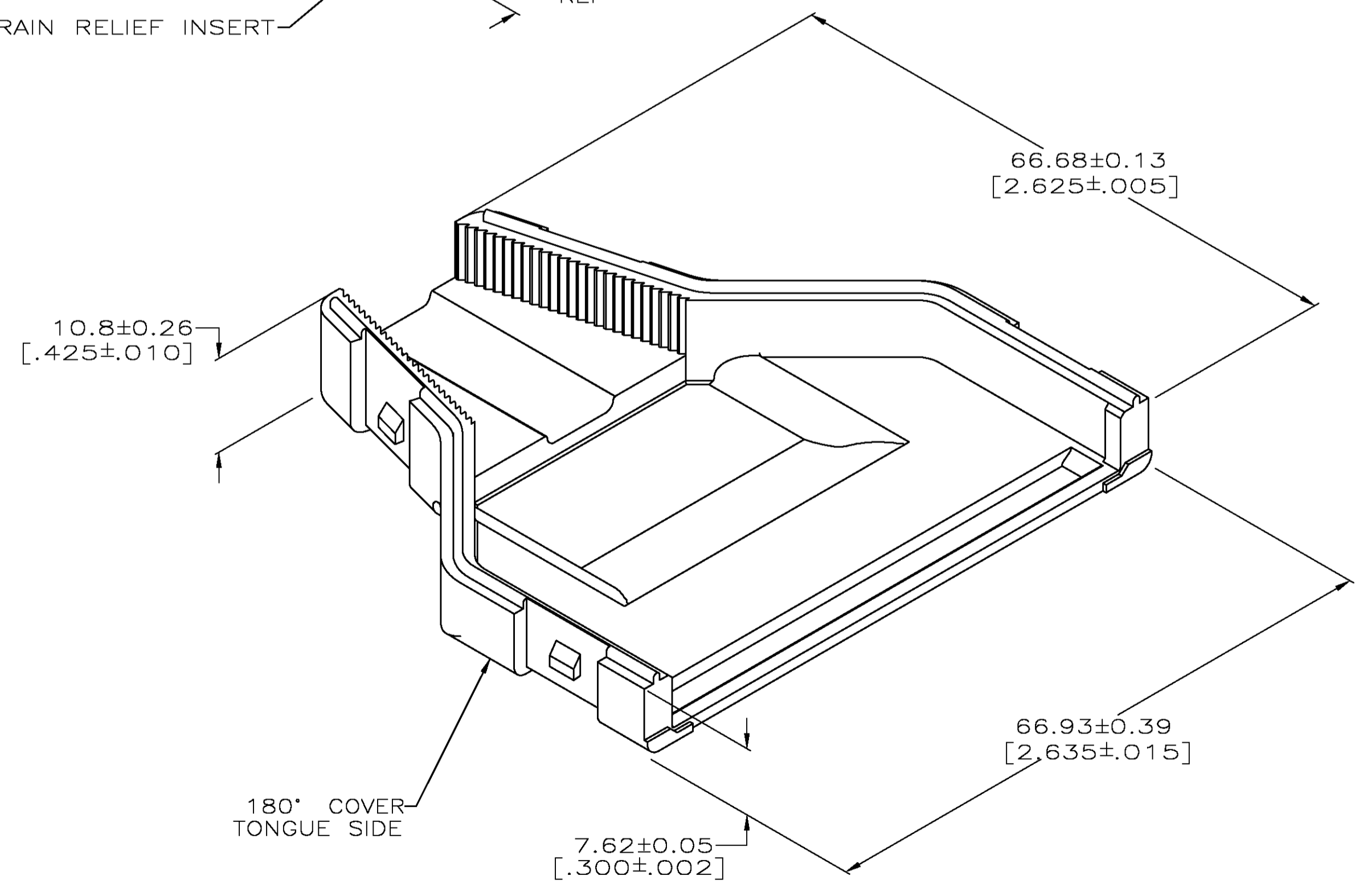
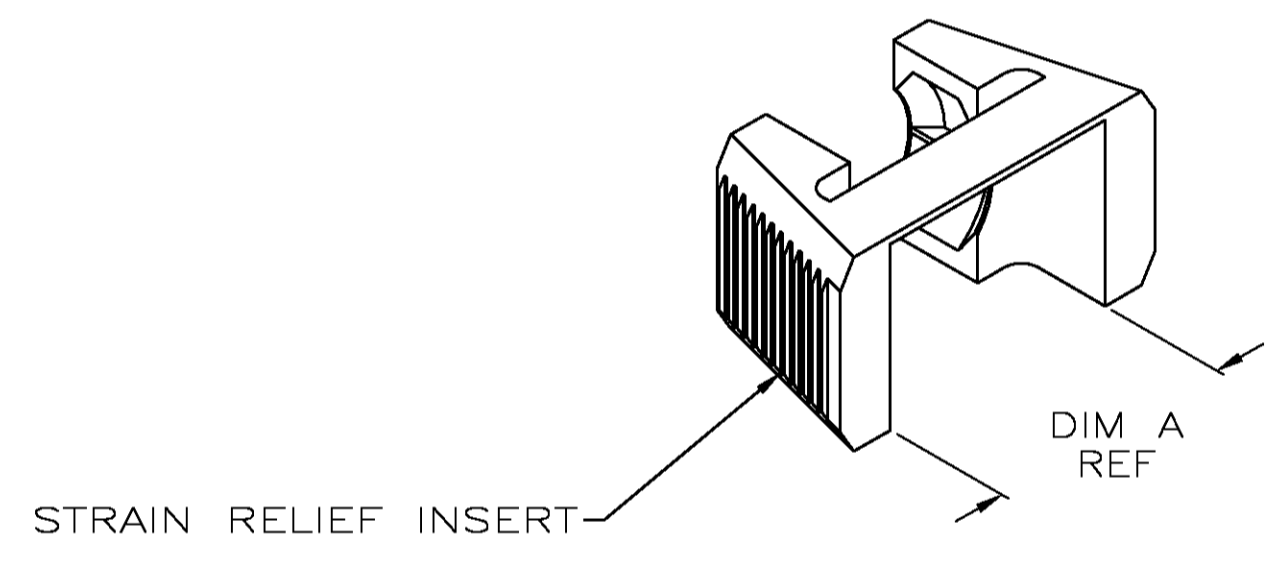
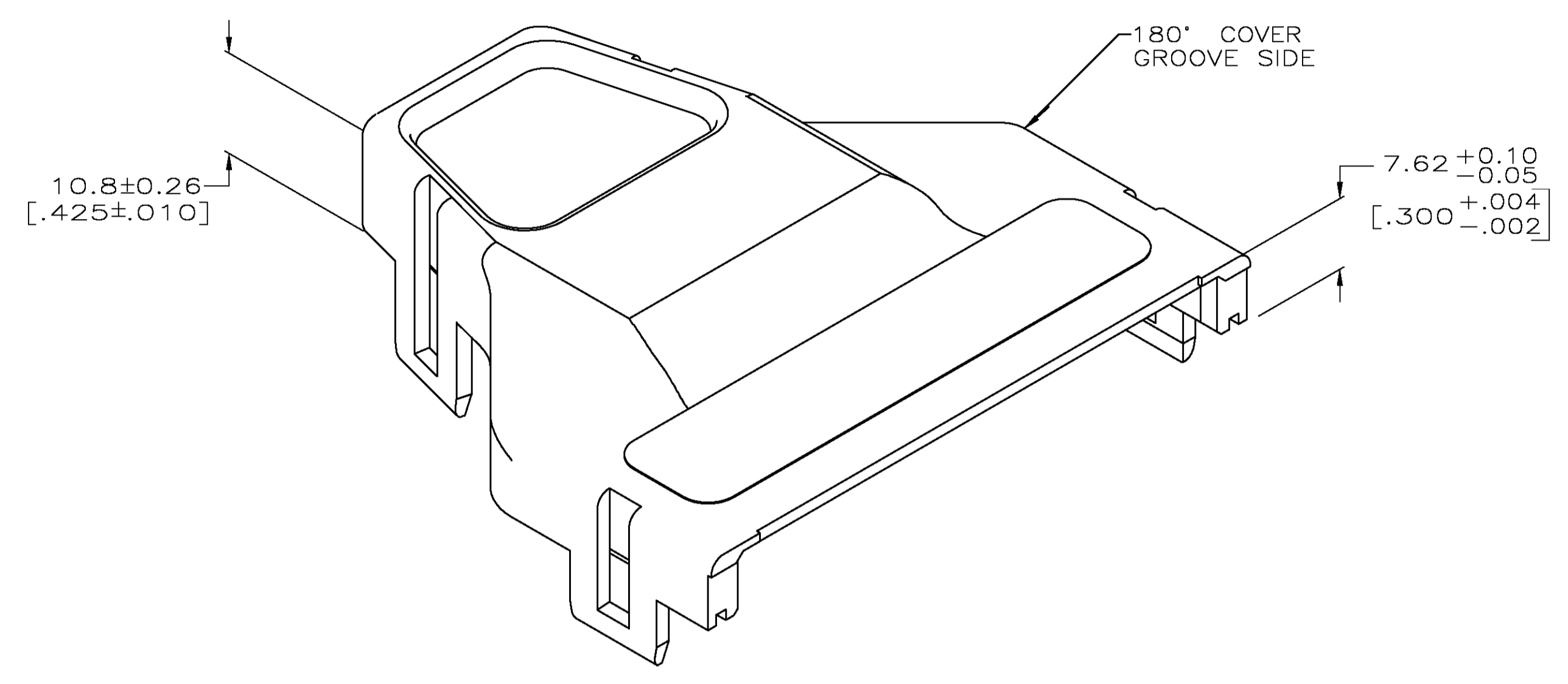


THIS DRAWING IS UNPUBLISHED. RELEASED FOR PUBLICATION .19  
 COPYRIGHT 19 BY AMP INCORPORATED. ALL RIGHTS RESERVED.

LOC		DIST		REVISIONS			
GP	00	REV	DATE	BY	CHK	APPD	
		E	10SEP04	JG	JG		
		E1	08JAN10	KK	AE		



- 1. THIS KIT SHIPPED NOT ASSEMBLED.
- ⚠ MATERIAL: COVERS- POLYPHENYLENE OXIDE, SEE TABLE FOR COLOR.  
STRAIN RELIEF - POLYPROPYLENE, BLACK.
- ⚠ CABLE DIAMETER LESS THAN 12.7 [.500] SHALL USE 16.26 [.64] STRAIN RELIEF. CABLE DIAMETER GREATER THAN 12.7 [.500] SHALL USE 18.54 [.73] STRAIN RELIEF.
- ⚠ PACKAGED 1 KIT PER POLYBAG.
- ⚠ BULK PACKAGED 500 KITS PER CONTAINER.
- ⚠ OBSOLETE PARTS: OBSOLETE CIS STREAMLINING PER D.RENAUD/D.SINISI

COLOR	PACKAGED	DIM. A	CABLE RANGE DIA	PART NUMBER
⚠ OBSOLETE COMPAQ-GRAY	5	18.67 [.735]	8.89-15.88 [.350-.625]	5-554946-3
BLACK	6	16.13 [.635]	6.35-12.7 [.250-.500]	5-554946-1
BLACK	4	18.67 [.735]	8.89-15.88 [.350-.625]	554946-2
BLACK	4	16.13 [.635]	6.35-12.7 [.250-.500]	554946-1

<small>THIS DRAWING IS A CONTROLLED DOCUMENT FOR AMP PROPRIETARY. IT IS SUBJECT TO CHANGE AND THE COMPANY'S STANDARD ORGANIZATION SHOULD BE CONTACTED FOR THE LATEST VERSION.</small>		DWN L. SMITH 3-15-95 CHK D. HUSSEY 4-04-95 APVD M. HUGHES 4-04-95	AMP Incorporated Harrisburg, PA 17105-3608
DIMENSIONS: mm (INCHES)	TOLERANCES UNLESS OTHERWISE SPECIFIED: 0 PLC ±- 1 PLC ±- 2 PLC ±- 3 PLC ±- 4 PLC ±- ANGLES ±-	PRODUCT SPEC - APPLICATION SPEC - WEIGHT -	NAME SIZE CASE CODE DRAWING NO CUSTOMER DRAWING
		SIZE A1	CASE CODE C-554946
SCALE 2:1		SHEET 1 OF 1	REV E1

## X-ON Electronics

Largest Supplier of Electrical and Electronic Components

*Click to view similar products for [D-Sub Backshells](#) category:*

*Click to view products by [TE Connectivity](#) manufacturer:*

Other Similar products are found below :

[600X54009X](#) [M85049/6-38N](#) [M85049/86-12N03](#) [M85049/90-13P03](#) [70.350.0636.4](#) [70.350.2435.1](#) [72.350.1035.2](#) [72.352.2435.1](#)  
[73.359.4035.3](#) [829472-1](#) [PCS-E20W](#) [970-015-040R011](#) [971-009-030R121](#) [971-009-040R011](#) [971-015-040R011](#) [DPH-B-003](#) [1437013-9](#)  
[1484402-8](#) [156-3025-EX](#) [16-500800](#) [165X02659X](#) [165X03329A](#) [165X03399A](#) [165X10259X](#) [165X11759X](#) [165X11889X](#) [165X11899X](#)  
[165X13019X](#) [165X13029X](#) [165X13169X](#) [165X13199X](#) [165X13239X](#) [165X13389X](#) [165X13489X](#) [165X14219X](#) [165X14429X](#)  
[165X14449X](#) [165X17409X](#) [165X17439X](#) [165X17569X](#) [165X17599X](#) [165X17609X](#) [165X17889X](#) [165X17979X](#) [L171373](#) [971-025-](#)  
[030R121](#) [300X10989X](#) [165X02609X](#) [165X02639X](#) [165X02689X](#)