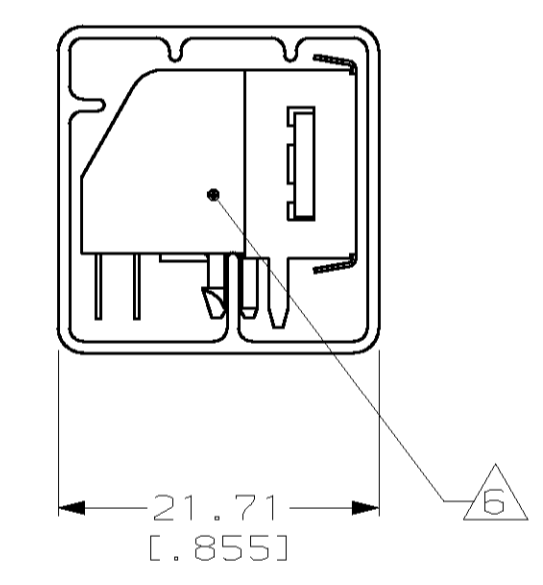
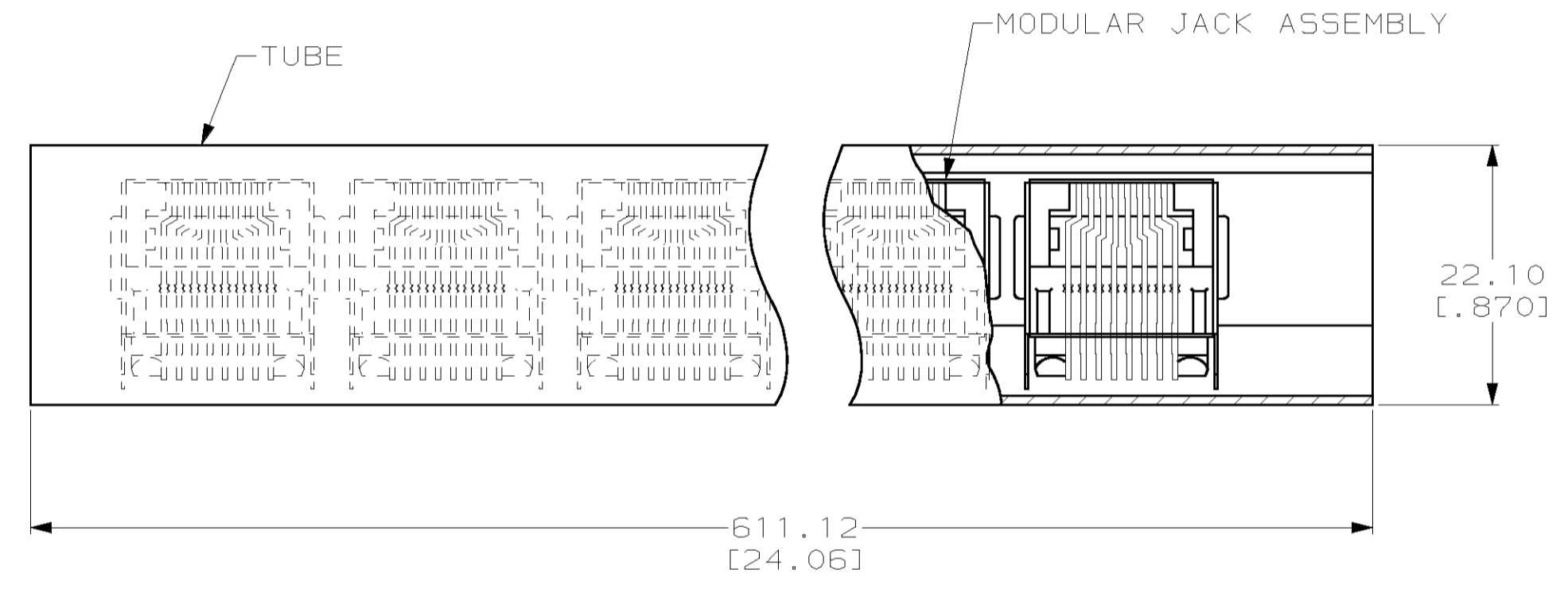
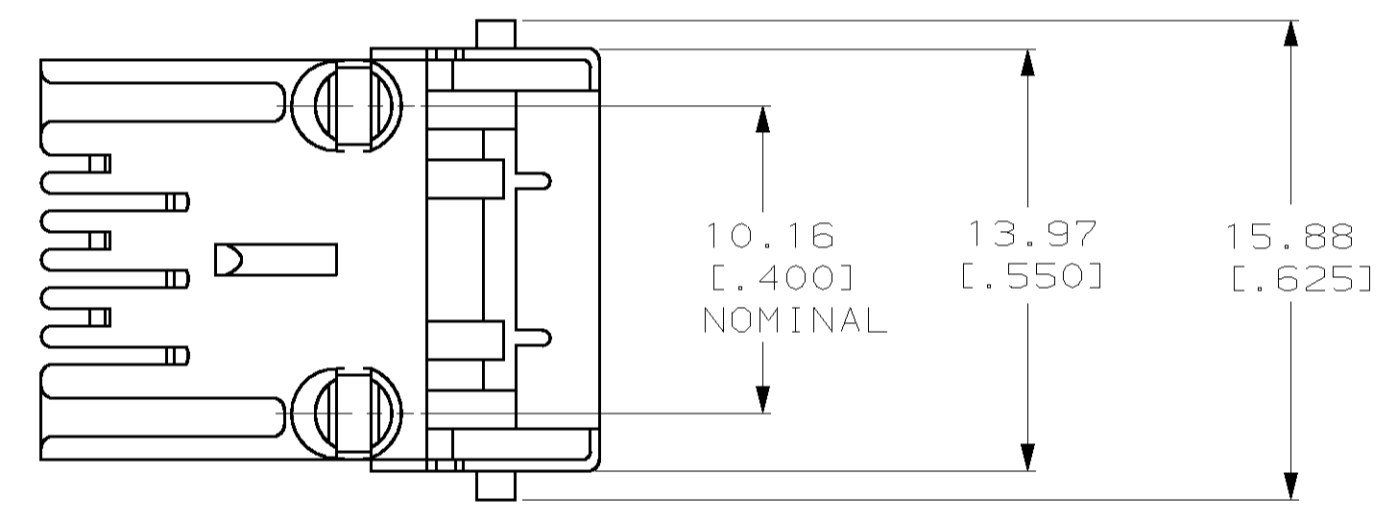
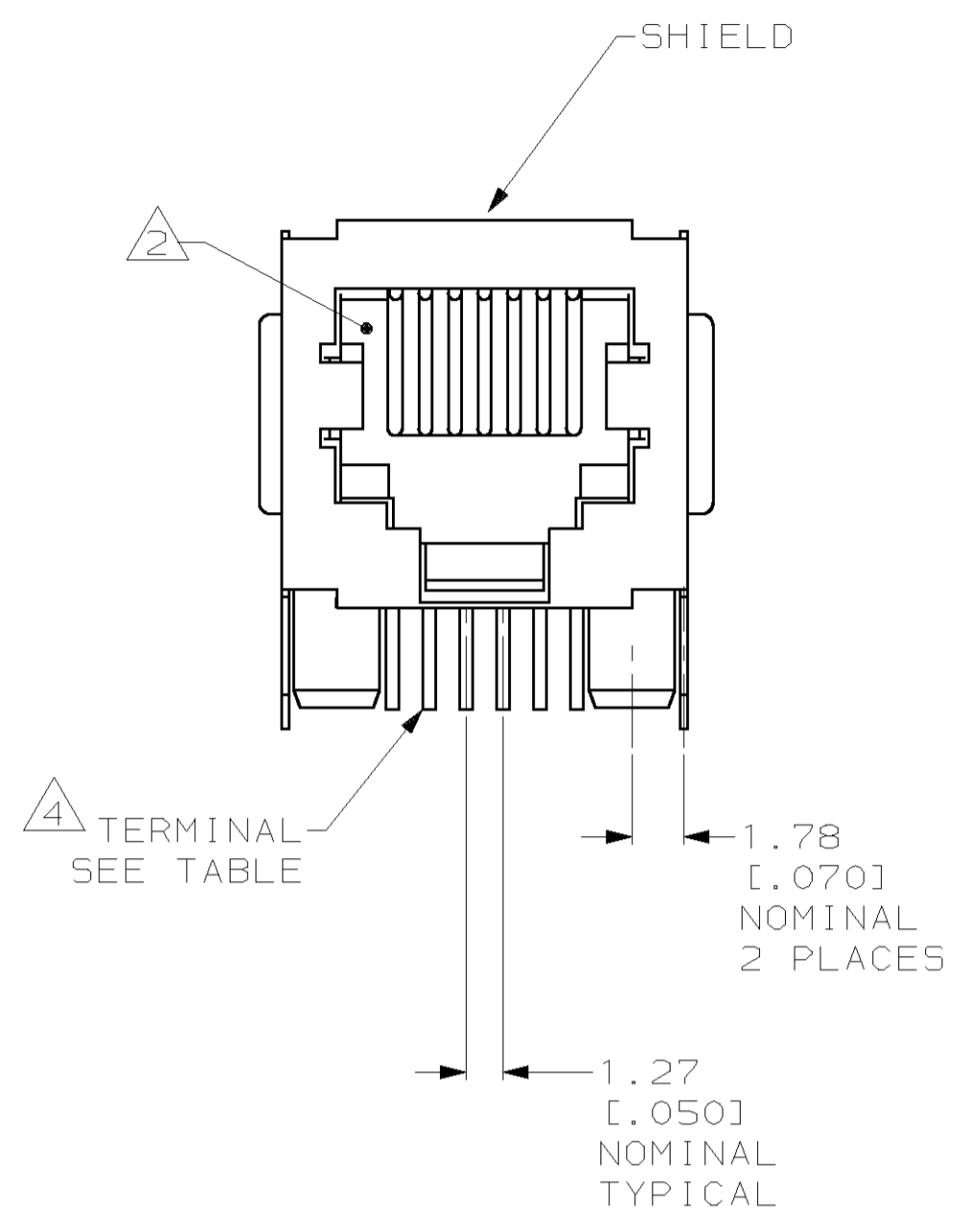
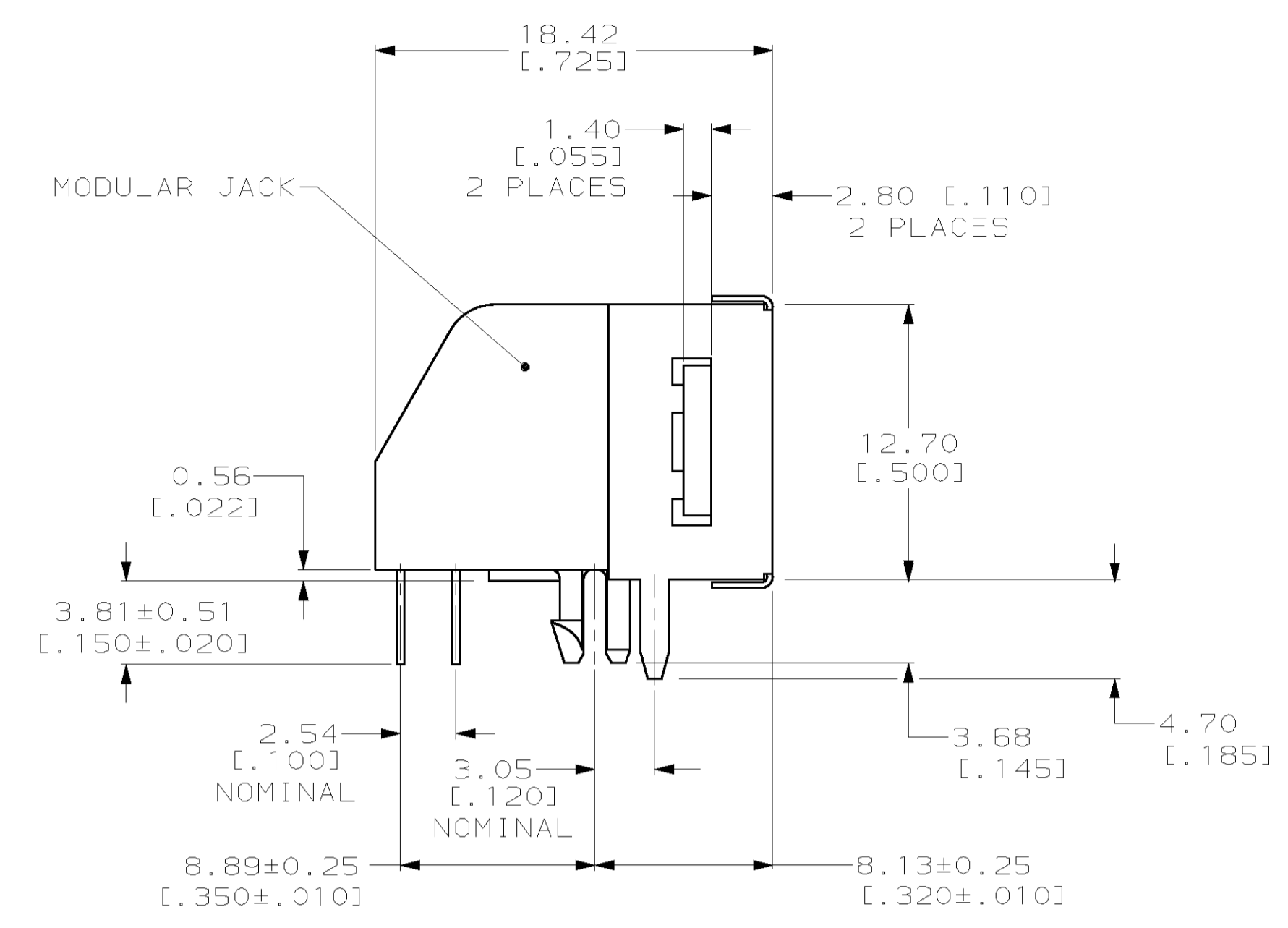
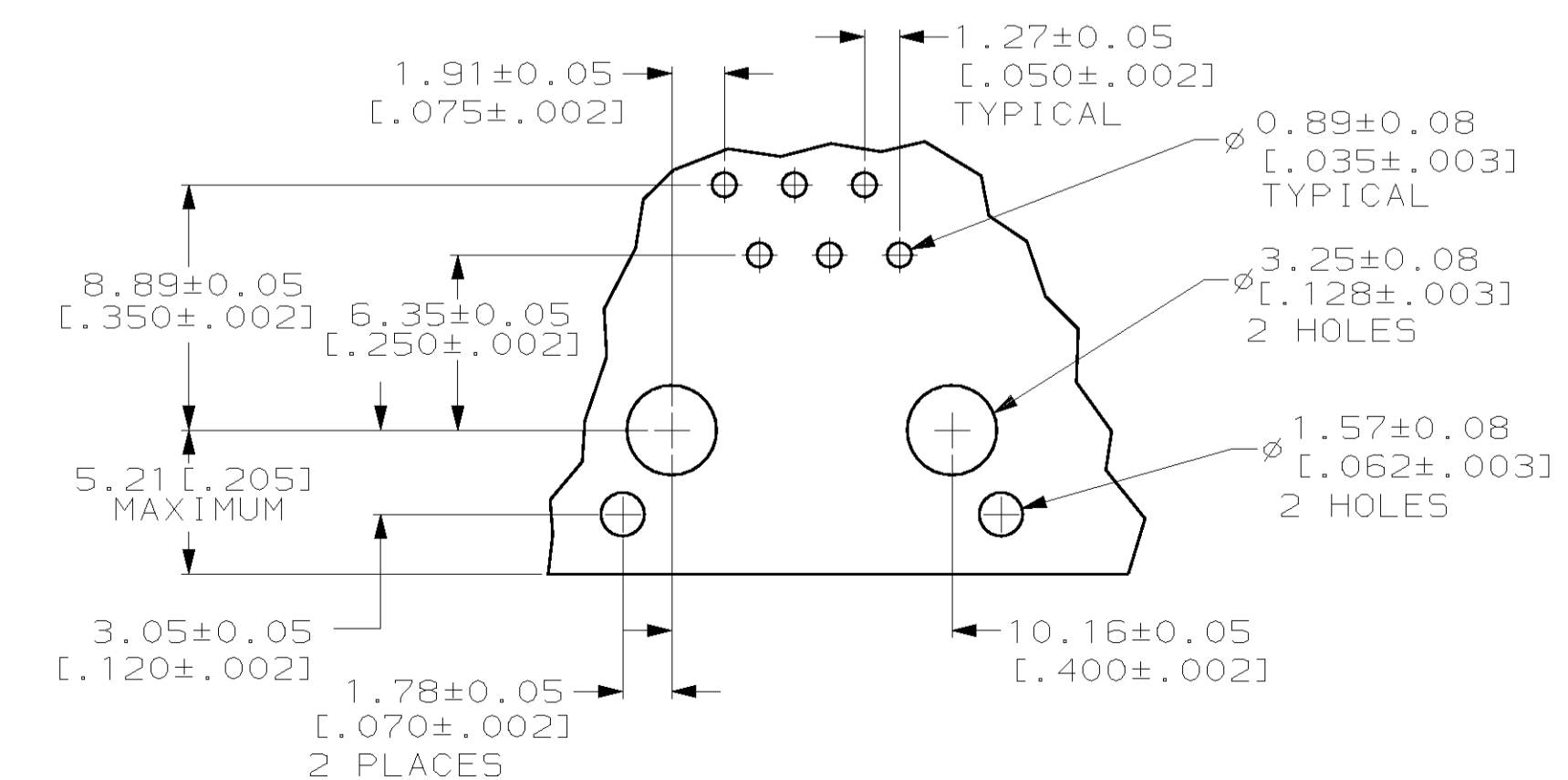


LOC	DIST	REV	DATE	BY	CHK	APPROV
AA	22	F				
G			26FEB01	DLD	CMB	

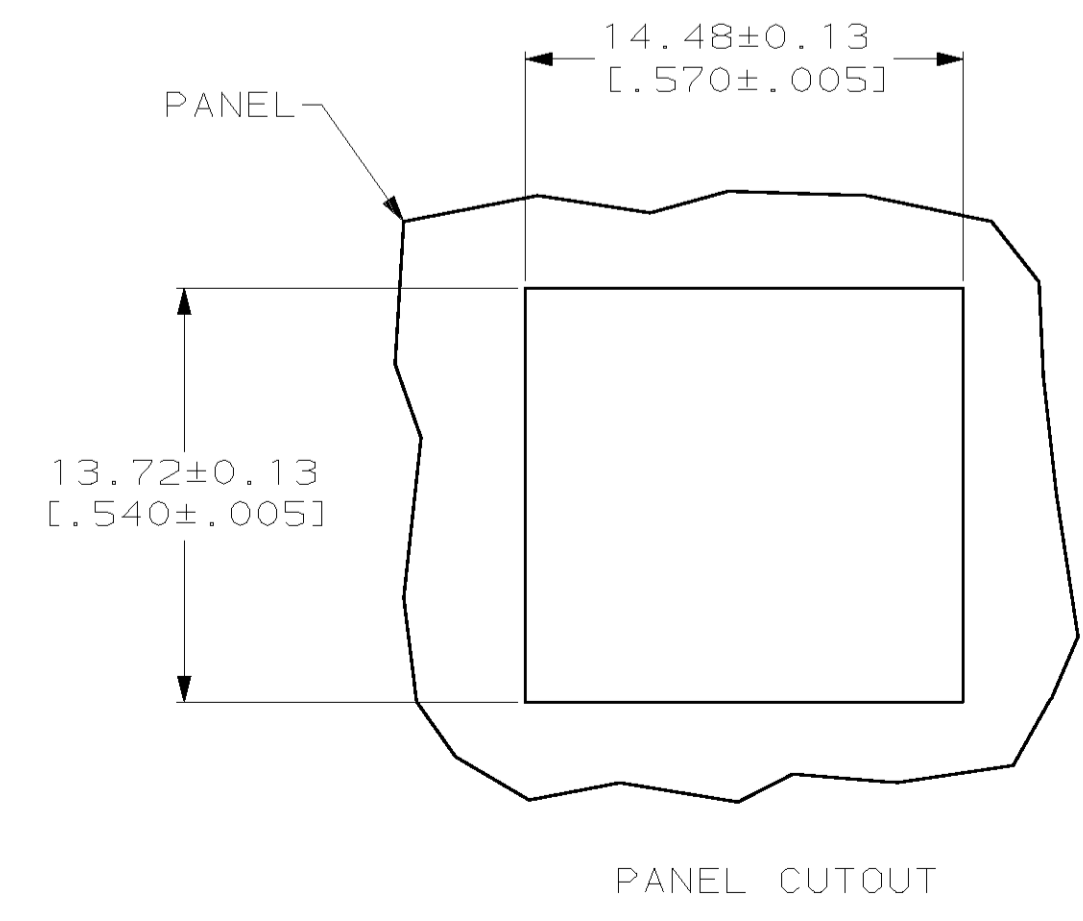
- REVISIONS
- 1. MATERIAL: HOUSING-PBT POLYESTER, BLACK. TERMINAL-.0138 THICK PHOS-BRONZE PLATED WITH .000050 THICK HARD GOLD IN LOCALIZED GOLD PLATE AREA AND .000080 THICK TIN LEAD IN SOLDER AREA OVER .000050 THICK NICKEL UNDERPLATE SHIELD-.010 THICK COPPER ALLOY, TIN-LEAD PLATED.
 - 2. CAVITY CONFORMS TO FCC RULES AND REGULATIONS PART 68, SUBPART F.
 - 3. ALL DIMENSIONS SHOWN ARE MAXIMUM UNLESS OTHERWISE SPECIFIED.
 - 4. TERMINALS FOR 555154-2 LOCATED IN CENTER POSITIONS.
 - 5. BULK PACKAGED IN TRAYS.
 - 6. PACKAGED 36 ASSEMBLIES PER TUBE. SEE DETAIL "A".



DETAIL A
SCALE 2:1



SUGGESTED PRINTED CIRCUIT BOARD
MOUNTING HOLE LAYOUT
VIEW SHOWN AS COMPONENT SIDE OF BOARD



PANEL CUTOUT

PACKAGE	TERMINALS REQUIRED	PART NUMBER
6	6	555154-4
4	4	555154-2
6	6	555154-1

THIS DRAWING IS A CONTROLLED DOCUMENT.

DWG	S. GARRETT	7-13-95
CHK	N. JONES	8-25-95
APP'D	J. TONEY	9-01-95

AMP Incorporated
Harrisburg, PA 17105-3608

NAME: MODULAR JACK ASSEMBLY, SHIELDED, 6 POSITION, LOW PROFILE, RIGHT ANGLE, PRINTED CIRCUIT BOARD GROUND WITH PANEL STOPS

PRODUCT SPEC: 108-1163

APPLICATION SPEC: 114-2048

SIZE: A1

SCALE: 4:1

SHEET: 1 OF 1

REV: G

X-ON Electronics

Largest Supplier of Electrical and Electronic Components

Click to view similar products for [Modular Connectors / Ethernet Connectors](#) category:

Click to view products by [TE Connectivity](#) manufacturer:

Other Similar products are found below :

[RJE231881317T](#) [MP1010RX-1000](#) [MP44RX-1000](#) [GAX-3-66](#) [GAX-8-62](#) [93606-0253](#) [GD-A-44](#) [GDCX-PA-66-50](#) [GDCX-PN-64](#) [GDCX-PN-66](#) [GDCX-PN-66-50](#) [GDLX-A-66](#) [GDLX-A-88](#) [GDLX-N-66](#) [GDLX-S-88K](#) [GDTX-S-88-50](#) [GDX-PA-1010](#) [GLX-N-1010M-BLK](#) [GLX-N-44M](#) [GLX-S-88M-BLK](#) [GMX-N-1010](#) [GMX-S-1010](#) [GMX-S-66](#) [GMX-SMT2-N-1010](#) [GMX-SMT2-N-64-50](#) [GMX-SMT2-S6-88](#) [GMX-SMT4-N-88](#) [GPX-2-64](#) [GRT1-BT1-5](#) [GSGX-N-2-88](#) [GSX-NS2-88-3.05](#) [GSX-NS2-88-3.05-50](#) [GSX-NS-88-3.05-30](#) [GSX-NS-88-3.05-50](#) [GSX-NS-88-3.68](#) [1-1775629-2](#) [GWLX-S-88-GR](#) [GWLX-S9-88-YG](#) [1300500326](#) [1300500227](#) [1300530003](#) [1300570002](#) [1324640-4](#) [RJ11FTVC2G](#) [RJ11FTVC2N](#) [RJFTVX2SA1G](#) [132764-001](#) [1400000](#) [1413176](#) [1413235](#)